



Lonsdale ThermGard Rafter Glazing Bars

for conservatory roofs

Introduction

This guide has been produced to assist specifiers and designers by illustrating typical rafter glazing bar details for sloped conservatory roofs. It is not exhaustive, but it does illustrate good practice and all details are in accordance with BS5516 for the design and installation of sloped patent glazing.

Users of this guide must exercise all reasonable care to ensure that the details and products of Lonsdale Metal Company Limited are suitable for the intended purpose. If in doubt, ask us. Having decided to specify Lonsdale Patent Glazing, to save you valuable drafting time, CAD drawings of the details in this publication are available on disk or from our website :

www.roofglazing.co.uk

For further installation details go to the complete Lonsdale Design Guide or the ThermGard Design Guide available on the website.

If you require assistance please contact our Technical Department.

Lonsdale Metal Company Limited,

Millmead Industrial Centre, Mill Mead Road, London. N17 9QU

Telephone : 020 8801 4221

Facsimile: 020 8801 1287

Contents

	Page
Introduction	1
Typical intermediate bar detail	2
Typical intermediate bar detail (Heritage)	3
Jamb detail abutting to brick	4
Typical verge detail	5
Eaves perimeter detail	6
Mono-pitch detail	7
Roof valley gutter detail timber lead lined	8
Ridge and Hip details	9
Ridge detail for decorative cresting	10

PRINT OUT THIS GUIDE FOR REFERENCE IF YOU WISH. CLICK THE **Pages** TAB TO SEE THUMBNAILS OF ALL THE PAGES IN THE PUBLICATION. TO PRINT OUT INDIVIDUAL PAGES, CLICK **File, Print** THEN CHECK **Current page** OR SELECT **Pages** RANGE AND CLICK **OK**. TO PRINT DRAWINGS TO THE SCALE INDICATED YOUR PRINT DRIVER MUST BE CAPABLE OF BEING SET AT 100%. LOOK IN YOUR PRINTER'S **Properties** FOR SETTINGS. CONTACT OUR TECHNICAL DEPARTMENT FOR FURTHER ADVICE.

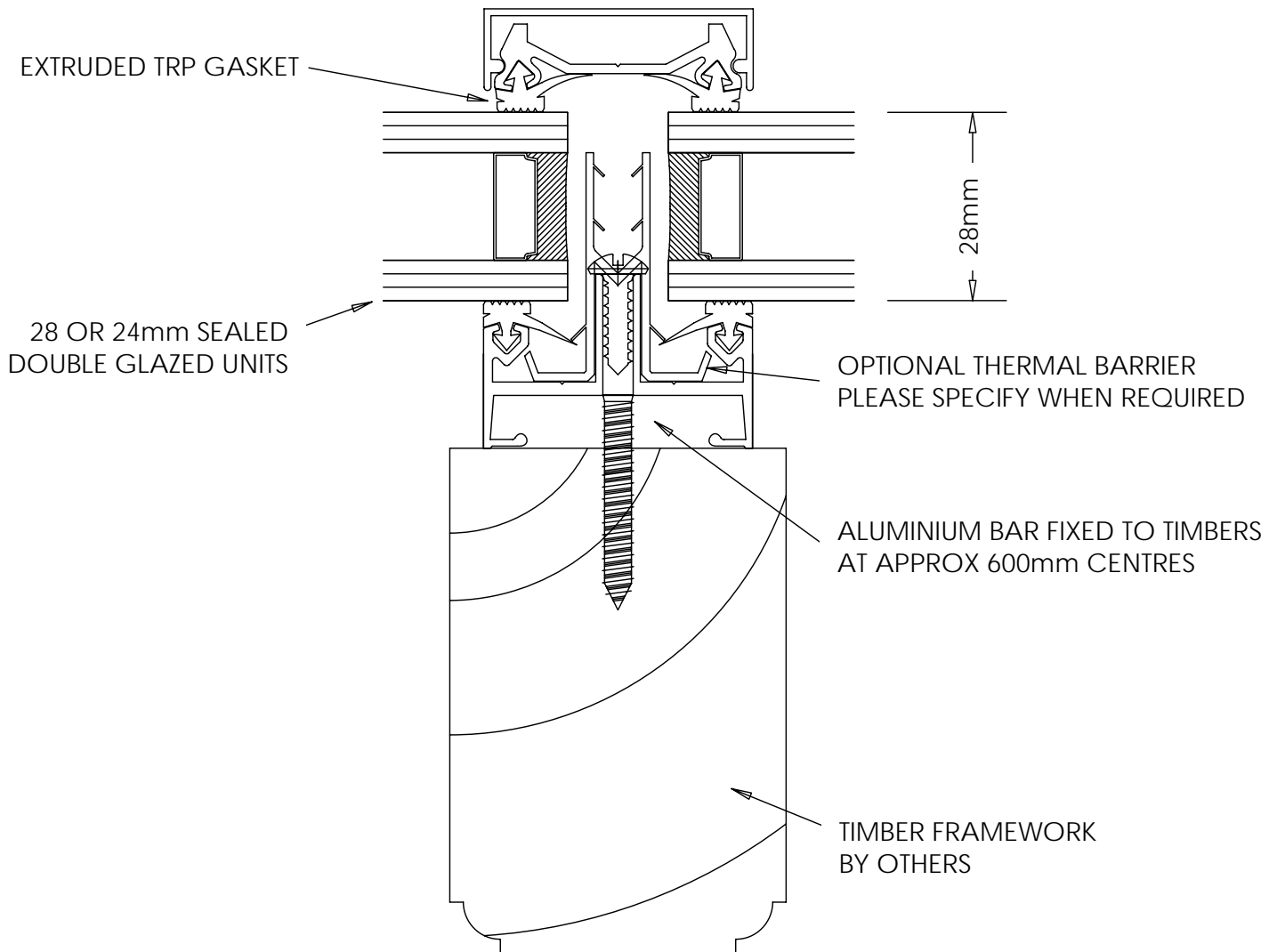
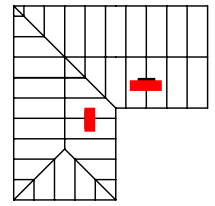
ThermGard Conservatory

ALM100/WF Profile

Typical intermediate bar detail

Cad Code WF01

Application



Hardwood Conservatories

The ALM100/WF profile provides the benefits of high performance weathering and maintenance free roofs to any conservatory, shielding the timber structure from the elements.

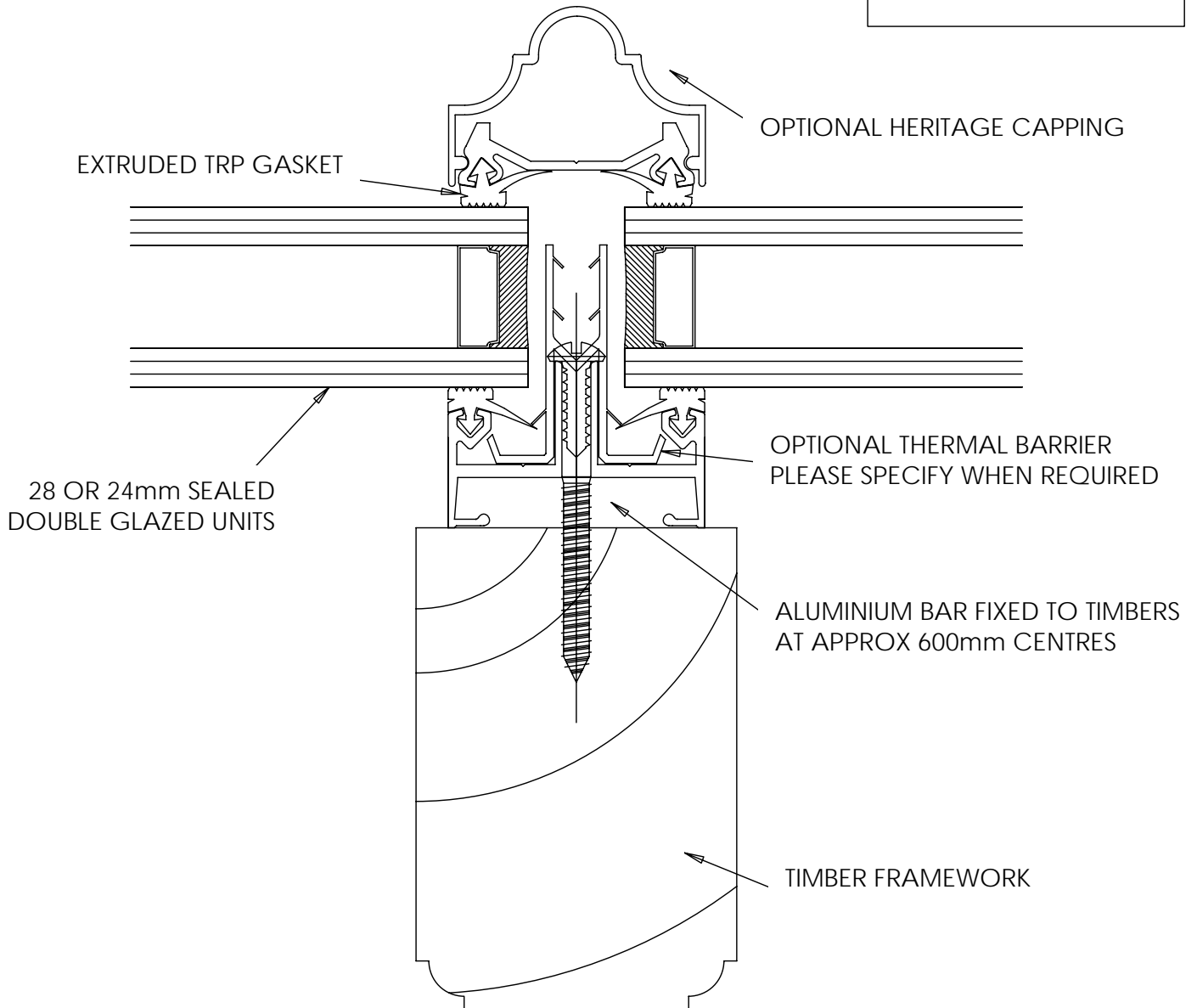
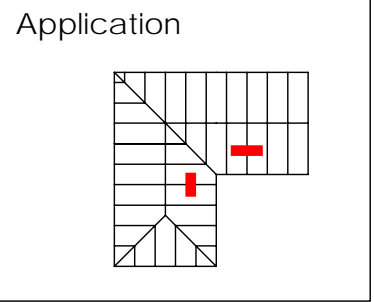
Scale of view 1:1

ThermGard Conservatory

ALM100/HCWF Profile

Typical intermediate bar detail

Cad Code WF02



Hardwood Conservatories

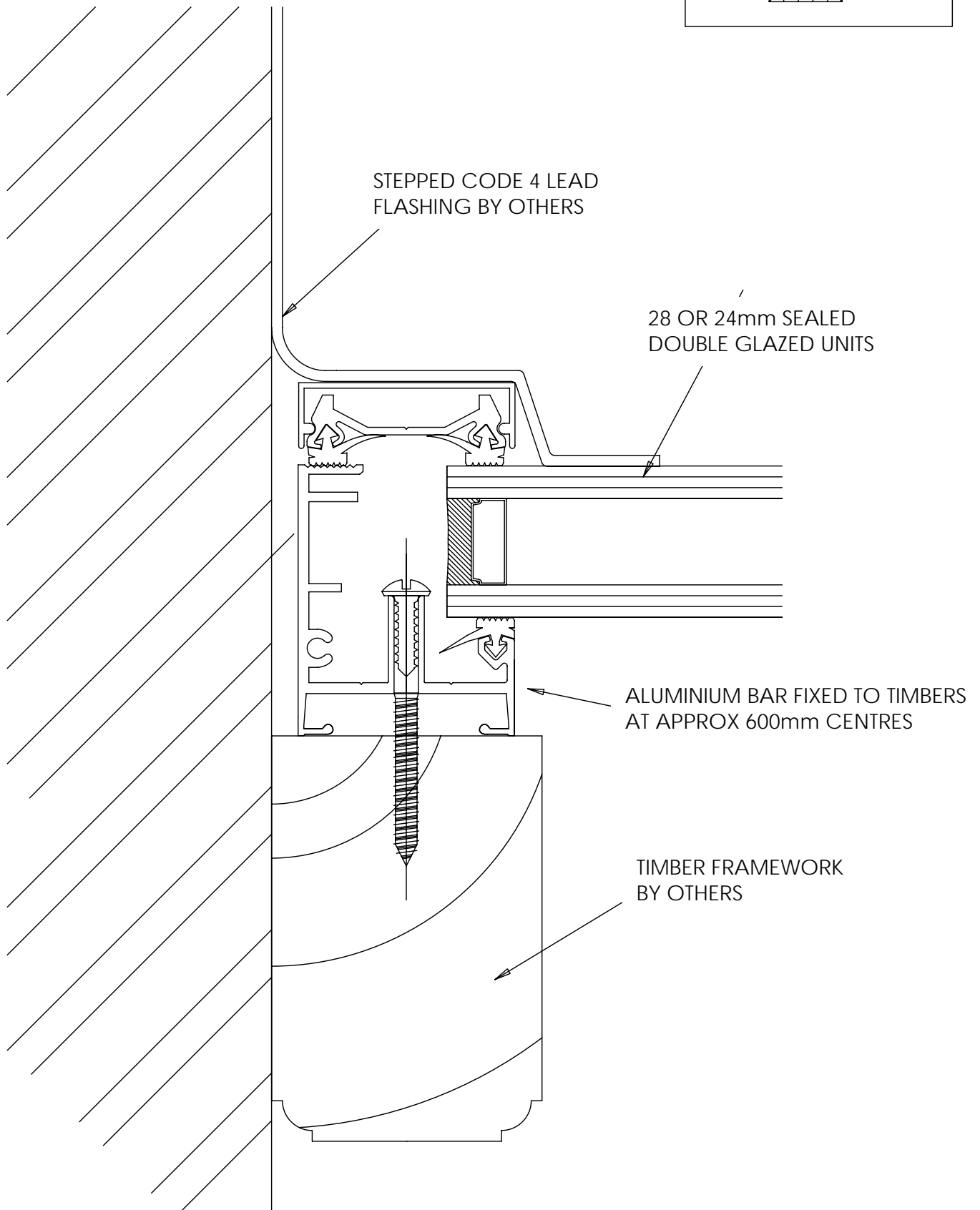
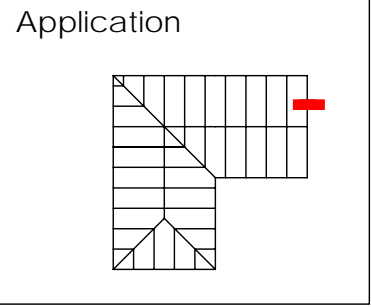
The ALM100/HCWF profile provides the benefits of high performance weathering and maintenance free roofs to any conservatory, shielding the timber structure from the elements.

Scale of view 1:1

ThermGard Conservatory

Jamb detail abutting to brickwork

Cad Code WF03



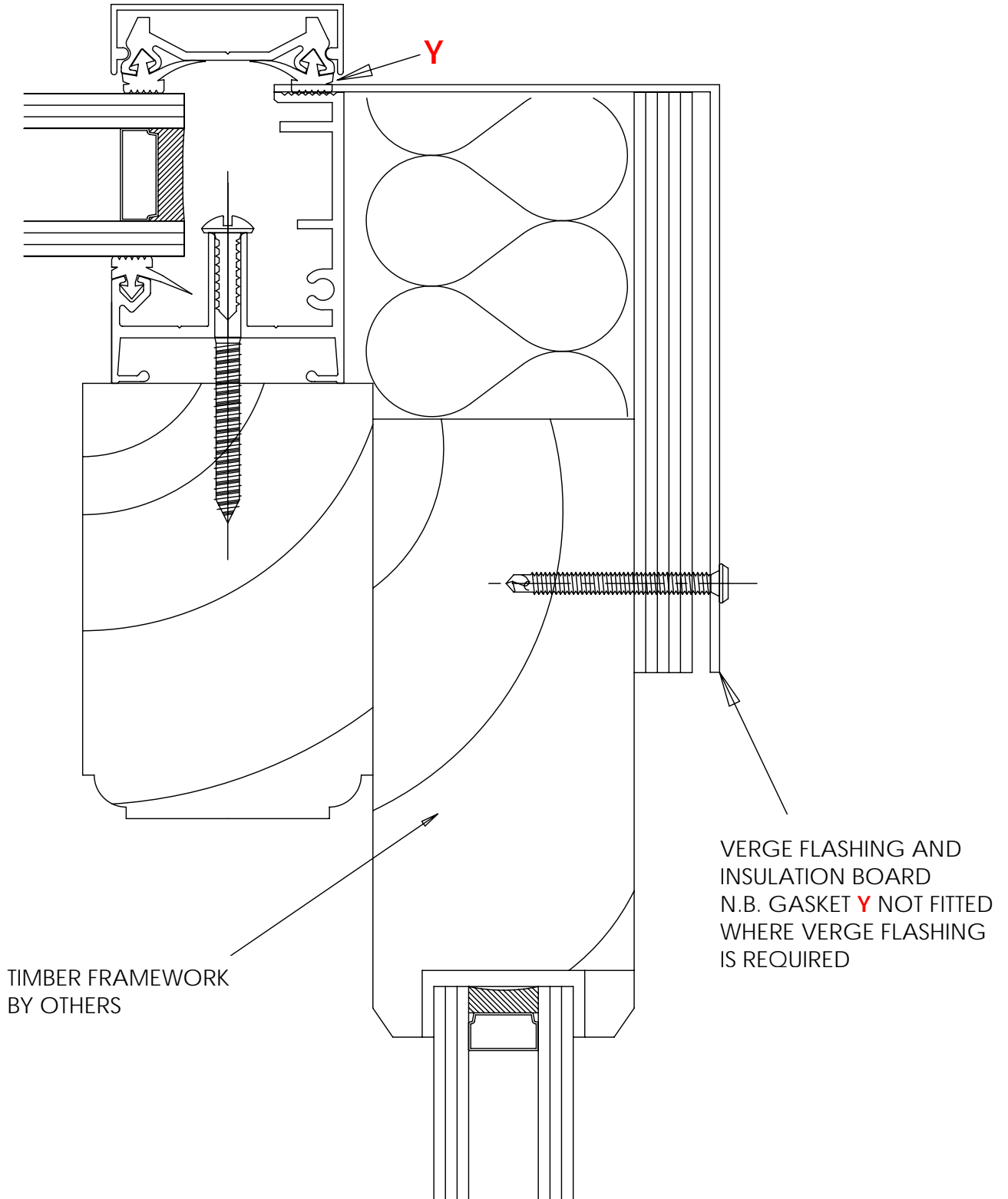
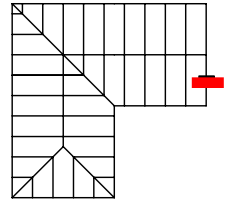
Scale of view 1:1

ThermGard Conservatory

Typical verge detail

Cad Code WF04

Application

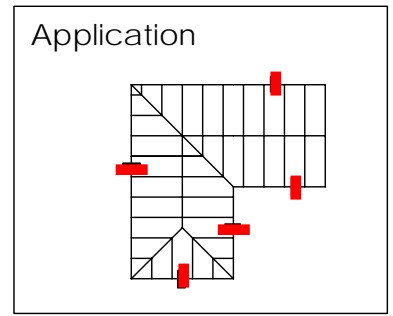


Scale of view 1:1

ThermGard Conservatory

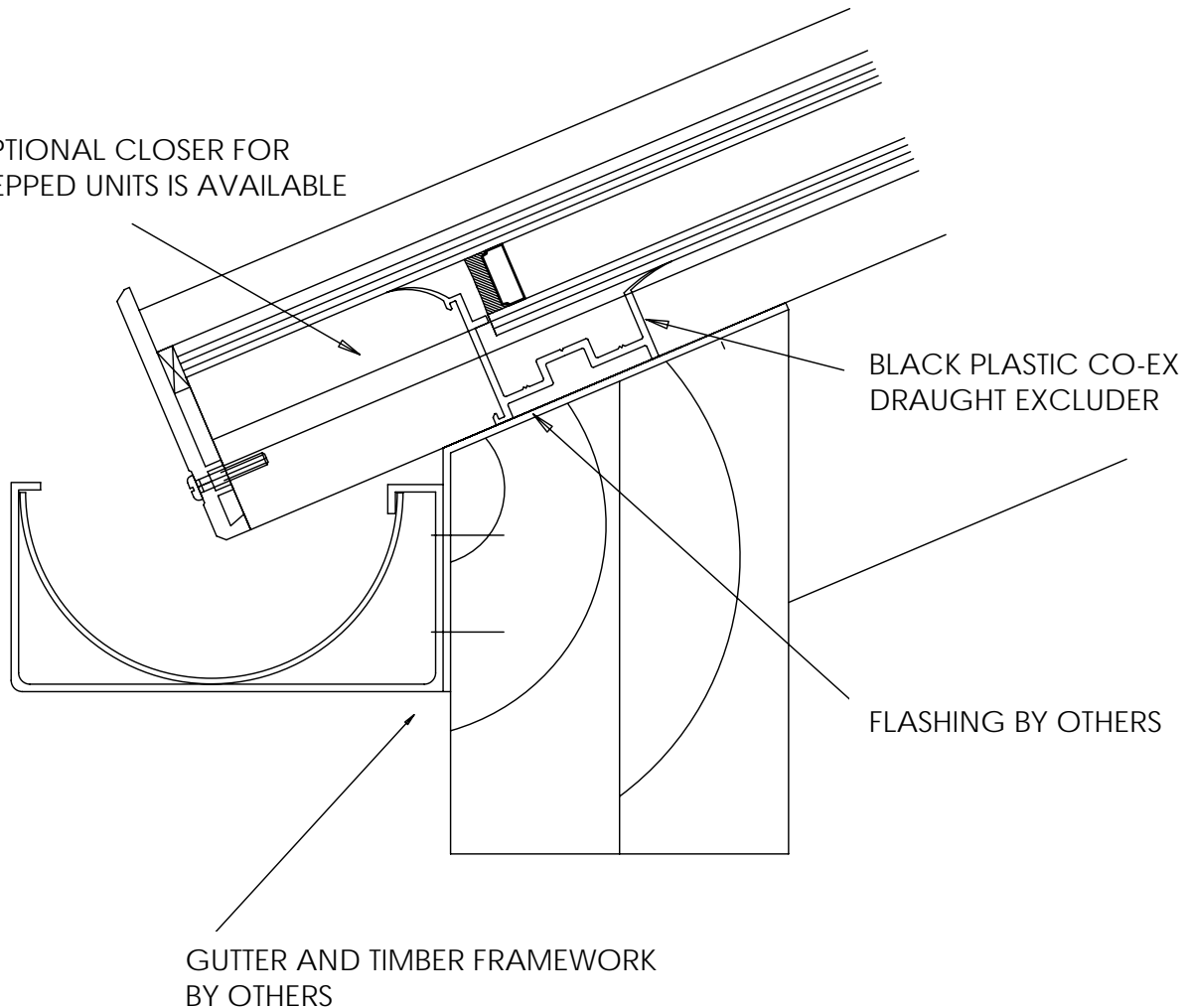
Eaves perimeter detail

Cad Code WF05



STANDARD GLASS STOP FIXED TO BOTTOM OF BAR.
NOTE: HEAVY DUTY STOPS ARE REQUIRED WHERE
BAR LENGTH IS EQUAL TO OR GREATER THAN
3000mm AND/OR ROOF PITCH EXCEEDS 35°

OPTIONAL CLOSER FOR
STEPPED UNITS IS AVAILABLE



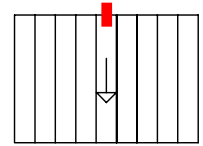
Scale of view 1: 2

ThermGard Conservatory

Top mono-pitch detail

Cad Code WF06

Application



LONSDALE GLAZING BARS FIXED TO TIMBER WITH No 10 WOODSCREWS ON THE CENTRE LINE OF BARS

LEAD FLASHING
BY OTHERS

TIMBER FRAMEWORK
BY OTHERS

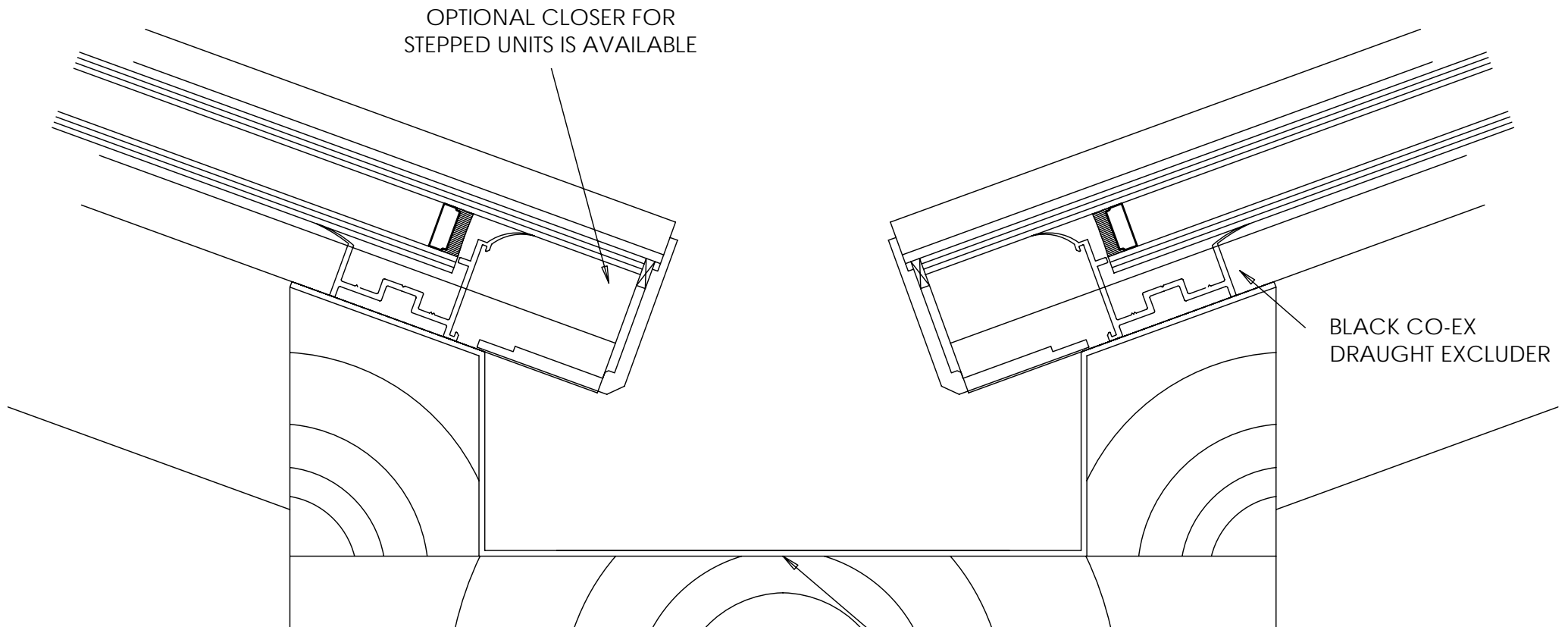
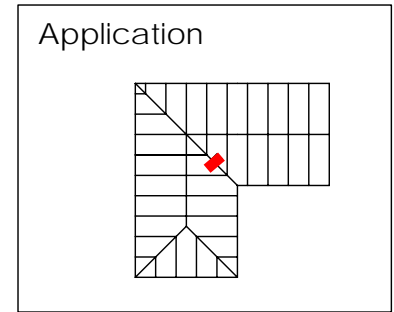
TIMBER WALLPLATE
BY OTHERS

Scale of view 1: 2

ThermGard Conservatory

Roof valley gutter detail timber lead-lined

Cad Code WF07



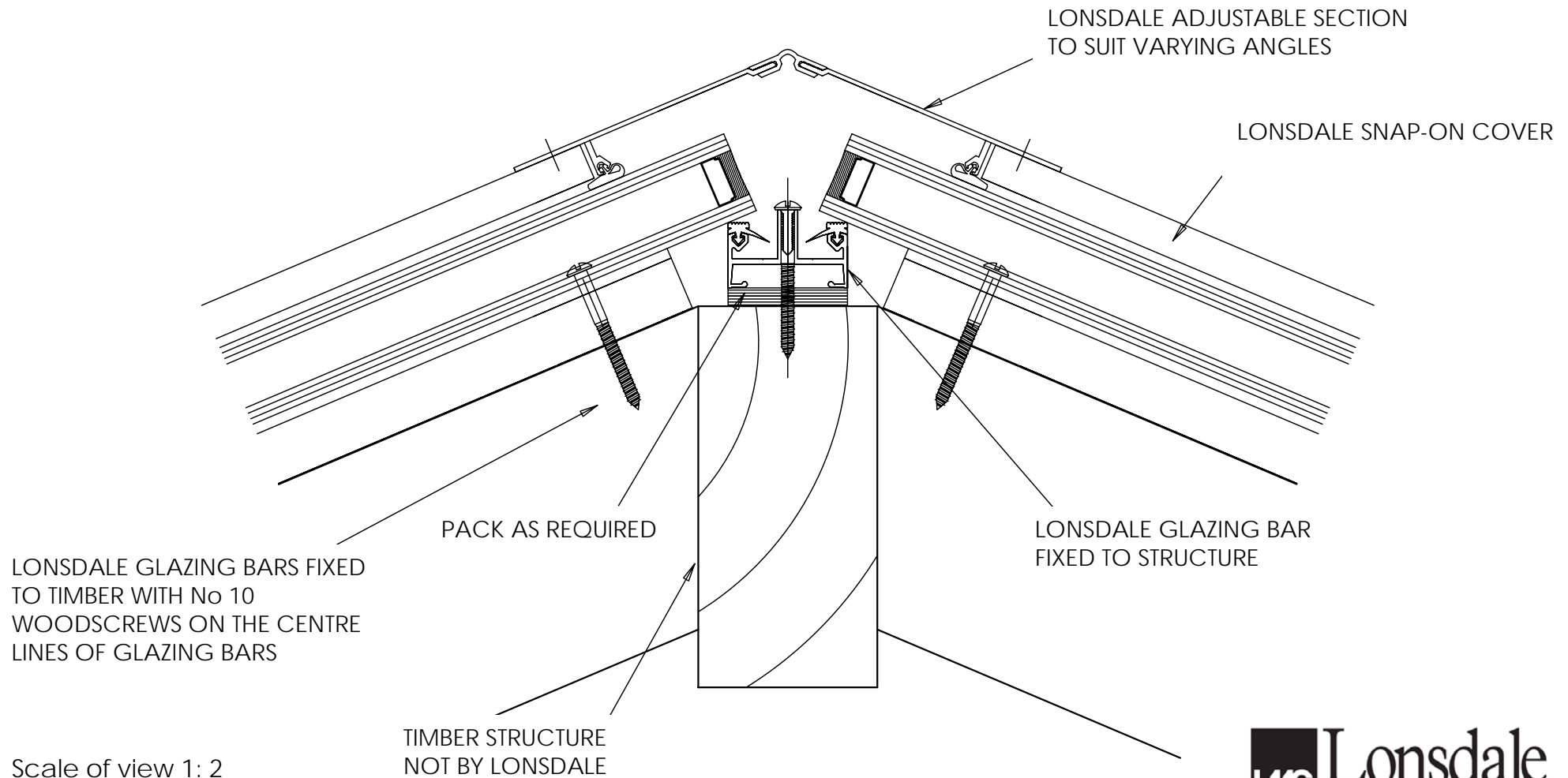
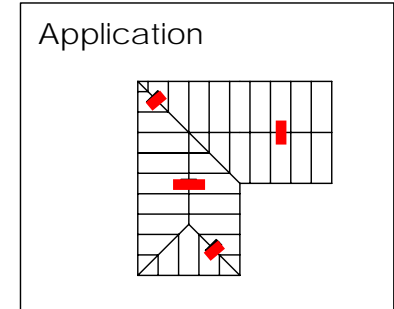
Scale of view 1: 2

LEAD LINED GUTTER
BY OTHERS

ThermGard Conservatory

Ridge and Hip details

Cad Code WF08



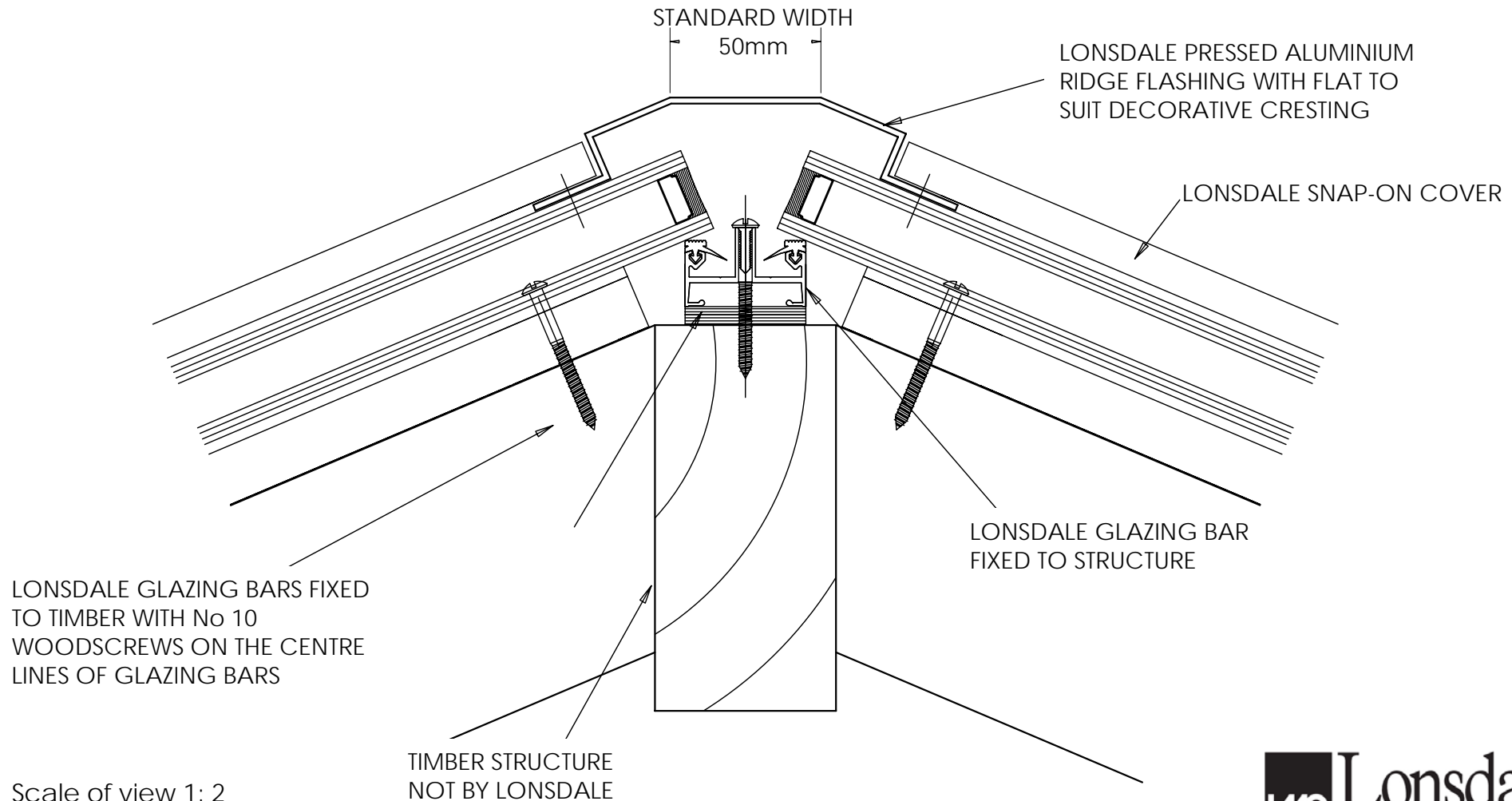
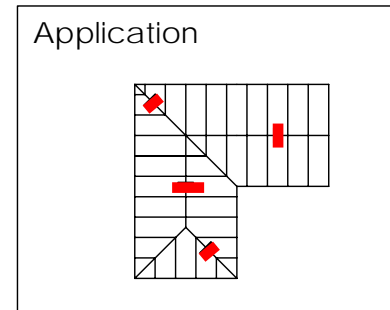
Scale of view 1: 2

ThermGard Conservatory

Ridge detail for decorative crestring

Cad Code WF09

PLEASE NOTE THE SAME PROFILE MUST BE USED ON HIPS



Scale of view 1: 2