

# Easy Drain<sup>®</sup>

by ess





*Innovative and flush*

# Easy Drain® M-LINE



All in one

Easy Drain M-line combines low installation depth with innovative drainage technology. This invisible and stylish wall drain with TAF-system (Tile Adjustable Frame) enables easy installation and secondary drainage while the pre-assembled sealing membrane (Water Protection System) ensures a complete watertight installation. An easy and simple wall installation is always possible with the M-line thanks to the flexible wall connection. Its siphon is removable and therefore easy to clean when needed. The M-line comes with reversible grate for a Zero brushed or tile design.





### Specifications



### Installation options



### General

Dimensions:	700, 800, 900, 1000, 1200 mm
Grate:	Reversible grate (Tile or stainless steel)
Certification:	EN 1253*, ETAG - 022
Siphon:	Removable and cleanable
Product unit:	Complete set, grate included

### Technical details

Water seal:	30 or 50 mm
Capacity (Wall installation):	32 l/min (30 mm) / 42 l/min (50 mm)
Installation depth	63 mm (M-line 30), 83 mm (M-line 50)
Total installation height	70 mm (M-line 30), 90 mm (M-line 50)
Pre-assembled sealing membrane (WPS)	10 years warranty
Height adjustable frame (TAF):	Tile thickness 7 - 18 mm
Available tile depth**:	12 mm
Connection	Horizontal

\* with water seal 50 mm

\*\*Tile shown is not included.

### Waterproofing and other accessories



Wet area - Seal system  
see 'Easy Seal'



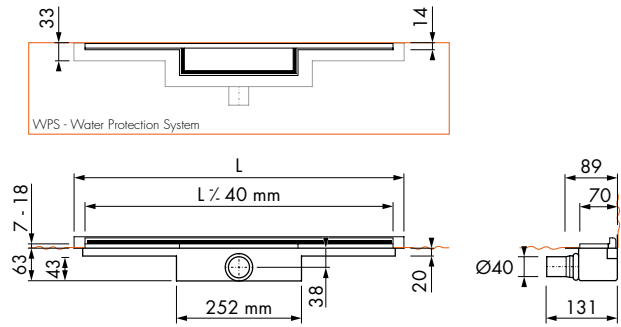
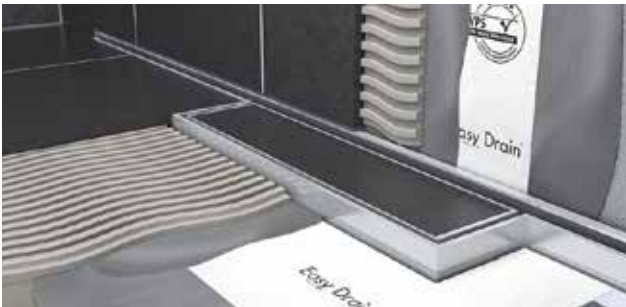
**10**  
YEAR  
WARRANTY

# M-LINE 30

Water seal 30 mm

Installation depth 63 mm, total installation height 70 mm

Length	Article code
700 mm	M-line-700-30
800 mm	M-line-800-30
900 mm	M-line-900-30
1000 mm	M-line-1000-30
1200 mm	M-line-1200-30



# M-LINE 50

Water seal 50 mm

Installation depth 83 mm, total installation height 90 mm

Length	Article code
700 mm	M-line-700-50
800 mm	M-line-800-50
900 mm	M-line-900-50
1000 mm	M-line-1000-50
1200 mm	M-line-1200-50

