



RECOMMENDED USE:

The Multi-Waste Manifold Connector is a connector capable of servicing 6 number 2" waste pipes at one time.

The Connector has an internal baffle to eliminate any cross-flow issues from the opposing 6 waste inlets and is also not within any no connection zones when connecting to WC waste via a branch from above. This connector comes with 5 blanking plugs and boasts a spigot length capable of being installed into 400mm slab depths. There are 10mm increment cut marker should the unit need to be cut down to suit smaller slab depths.

TECHNICAL SPECIFICATION:

**STANDARD:** BS EN 877: 1999/AC: 2008

**MATERIAL:** Grey Iron - BS EN 1561

**COATING:** Red Epoxy at an average thickness of 70microns

**BOLTS:** Zinc & Clear Mild Steel Hex Head Bolts (M8)

**GASKET MATERIAL:** Natural Rubber

**BLANKING PLUG MATERIAL:** ABS Black

**WASTE CONNECTION TYPE:** 2" BSPT Threaded

**SYSTEM FIRE RATING:** A1

**WATER TEMP RATING:** 95° +/-2° (Resistance to Hot Water in 24hr cycle constant)

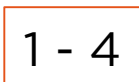
PRODUCT MARKINGS:



Manufacturing Date Codes



KITEMARK: KM 51733



Manufacturing Reference Code



Identification Label

EF095 MULTI-WASTE MANIFOLD CONNECTOR	ISSUE NO:	R1	DATE:	17/12/18
--------------------------------------	-----------	----	-------	----------

Manufactured in the UK to the highest Quality, Environmental and Health and Safety standards.

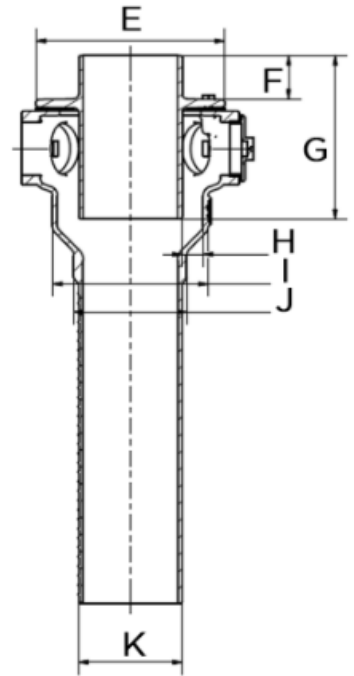
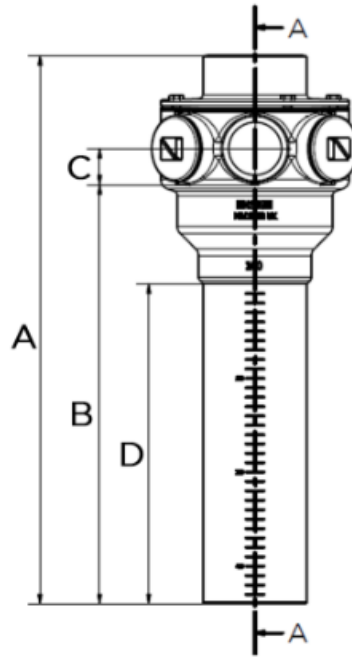


Saint-Gobain PAM UK

Tel: 0115 930 5000

www.saint-gobain-pam.co.uk

Email: technical.soildrain.uk.pam@saint-gobain.com



**EF095 MULTI-WASTE MANIFOLD CONNECTOR**

SAP CODE	DIA	A	B	C	D	E	F	G	H	I	J	K	WT (kg)
261138	100	582	445	38.5	340	200	45	173.5	22.5	165	120	110	12.8
261434	150	591	445	38.5	345	235	55	180.5	25	220	170	160	17.3