

# Rolling Security Systems



Armourguard Range

Alishield Range

Diamond Roll Grille

Alulink Grille



# Armourguard Range

## Features

- Steel construction
- Level of security and aesthetic appeal variable through choice of model configuration
- Custom made and adaptable in design for site constraints

## Security

- Duel Point central shoot bolt locking device standard for manual systems
- Automatic locking for electrical systems available on request

## Operation

- Manual operation is spring assisted to aid movement
- Electric operation can be powered by single phase motor
- Various control and operator units to automate and secure closing
- Manual override system available

## Model Variation and Strengths

- Versatile in construction to span and secure larger openings
- Models available in 18, 20 and 22 gauge steel lath
- Models in flat (50mm, 100mm) or curved (76mm) lath sections
- Perforated allows partial through vision and ventilation
- Punched available in various aperture sizes and pattern for vision and ventilation
- Solid curtains capable of incorporating sections of punched or perforated areas

## Presentation

- Galvanised as standard
- HP200 Plastisol coated
- Polyester powder coat finish (Full colour range available)



# Alishield Range

## Features

- Aluminium construction
- Strong corrosion resistant aluminium
- Various punched configuration available to change the appearance of the Alishield system

## Security

- Duel Point central locking device as standard on manual systems
- Automatic locking for electrical systems available on request

## Operation

- Manual Operation is spring assisted to aid movement
- Electric operation powered by single phase tubular motor
- Various control units to automate and secure closing
- Manual override system available

## Model Variations and strengths

- Available in 2mm thickness extruded Aluminium lath
- Models available in 38mm 50mm or 89mm sections
- Solid curtain capable of incorporating punched areas
- Punched available with glazed panels in a pattern for partial vision

## Presentation

- Mill finish as standard
- Anodised finish
- Polyester powder coat finish (Full colour range available)



# Diamond Roll Grille

## Feature

- Maximum visibility through design
- Manual operation spring assisted

## Security

- Duel point central locking shoot bolt as standard
- Small apertures with portcullis designed to deter pilfering

## Strength

- Robust PVC links supported by aluminium horizontal rods
- System can use intermediate mullion posts to cover large and angled openings (serving and bar areas)



## Curtain design

- Diamond shaped PVC links

## Presentation

- Three standard colours White, Brown and Black (curtain only)
- Surrounding components available in powder coat finish to suit chosen grille colour or décor

# Alulink Grille

## Features

- Aluminium construction
- Manual and electric operation available

## Strength

- High grade links and tubes supported by horizontal aluminium rods for strength and durability
- System can use intermediate mullion posts to cover large and angled openings (serving and bar areas)

## Security

- Duel point central locking shoot bolt as standard on manual operation

## Curtain design

- In line construction or brick bond pattern
- 50mm or 76mm link available

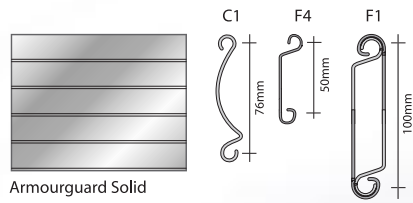
## Presentation

- Mill finish as standard
- Anodised finish
- Polyester powder coat finish (Full colour range available)

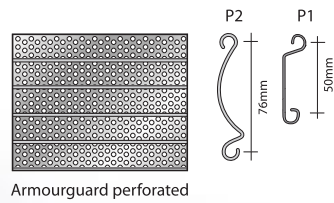


# Models

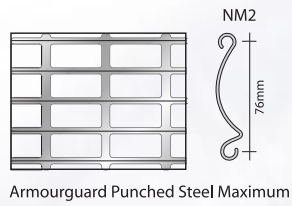
## Armourguard Range (Steel)



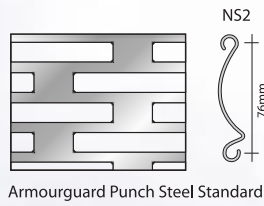
Armourguard Solid



Armourguard perforated

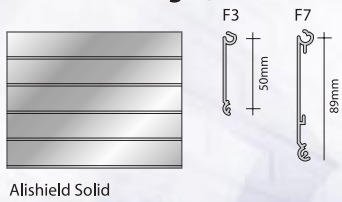


Armourguard Punched Steel Maximum

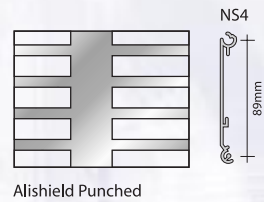


Armourguard Punch Steel Standard

## Alishield Range (Aluminium)

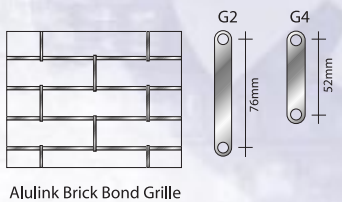


Alishield Solid

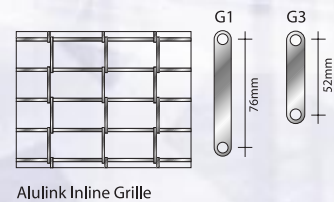


Alishield Punched

## Alulink Grille (Aluminium)

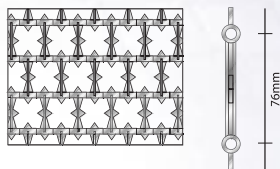


Alulink Brick Bond Grille



Alulink Inline Grille

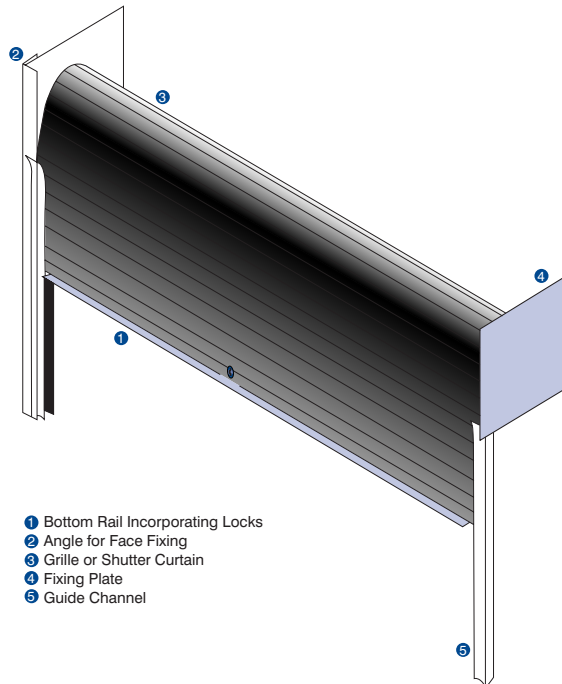
## Diamond Grille (PVC)





# ROLLING SECURITY SYSTEMS

## Technical Drawing Detail



- 1 Bottom Rail Incorporating Locks
- 2 Angle for Face Fixing
- 3 Grille or Shutter Curtain
- 4 Fixing Plate
- 5 Guide Channel

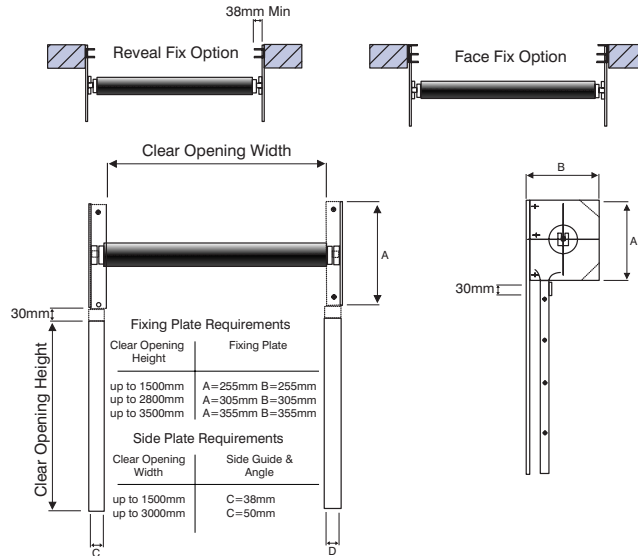
### Rolling Security Systems Product Coding

Model	Range	Description
C1	Armourguard	76mm Solid Galvanised
C2	Armourguard	76mm Solid Galvanised Plastisol
P1	Armourguard	50mm Perforated Galvanised
P2	Armourguard	76mm Perforated Galvanised
P3	Armourguard	76mm Perforated Galvanised Plastisol
F1	Armourguard	100mm Twin Skin Galvanised
F2	Armourguard	100mm Twin Skin Galvanised Plastisol
F4	Armourguard	50mm Solid Galvanised
F5	Armourguard	50mm Solid Galvanised Plastisol
N2S	Armourguard	76mm Punched Standard
N2M	Armourguard	76mm Punched Maximum
F3	Alishield	50mm Aluminium Solid
F6	Alishield	89mm Aluminium Solid HD
F7	Alishield	89mm Aluminium Solid ST
N1	Alishield	50mm Aluminium Punched
N3S	Alishield	89mm Heavy Duty Ali STD Punched
N3M	Alishield	89mm Heavy Duty Ali Maximum Punched
N4S	Alishield	89mm Standard Ali STD Punched
G1	Alulink	76mm In line Tube and Link Grille
G2	Alulink	76mm Brick Bond Tube and Link Grille
G3	Alulink	50mm In line Tube and Link Grille
G4	Alulink	50mm Brick Bond Tube and Link Grille
D1	Diamond Grille	PVC Link Grille

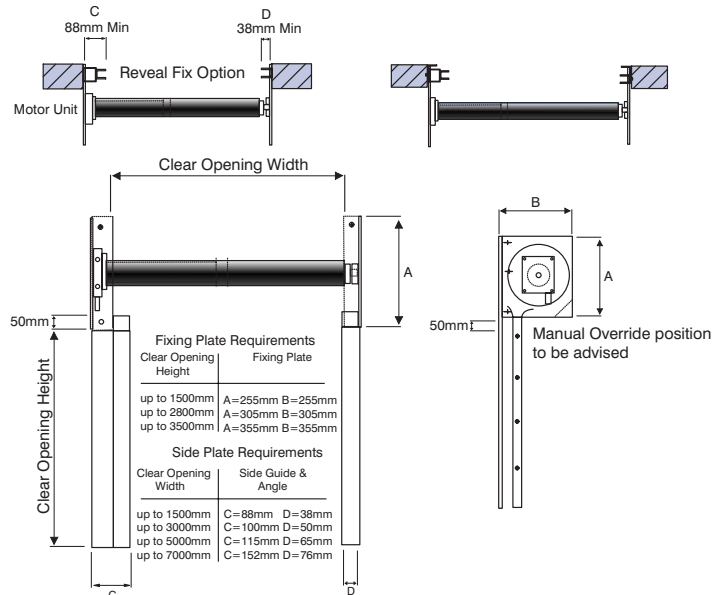
# INSTALLATION OPTIONS

## Rolling Security Systems

### Installation & Space requirements for manual spring operation



### Installation & Space requirements for single phase tubular motor operation



1 Oak Lane Fishponds Bristol BS5 7UY Tel: 0117 965 4888 Fax: 0117 965 7773

email: [info@hag.co.uk](mailto:info@hag.co.uk) website: [www.hag.co.uk](http://www.hag.co.uk)

DISCLAIMER

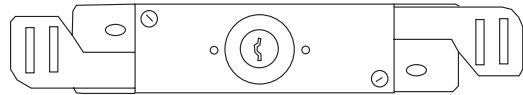
HAG operates a policy of continuous improvement. Product specification may change and it is advisable to consult with HAG technical advisors before specifying or ordering.



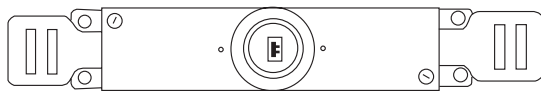
## INTEGRAL LOCKS

### Accessories & Alternative Components

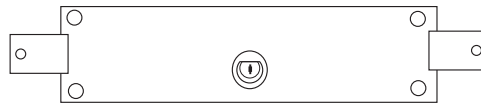
#### Locks Centre



(1) Tessi / King



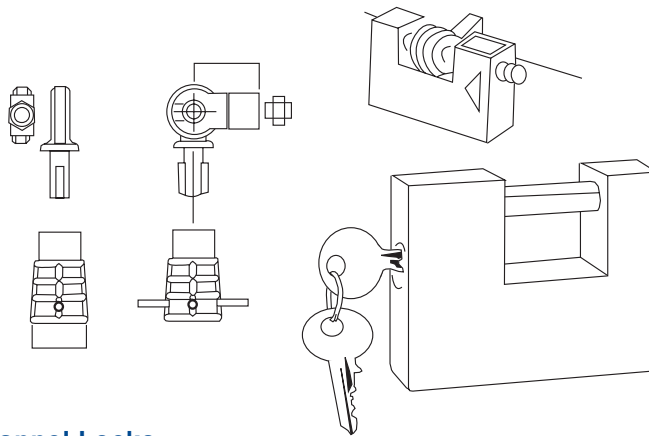
(2) Royal



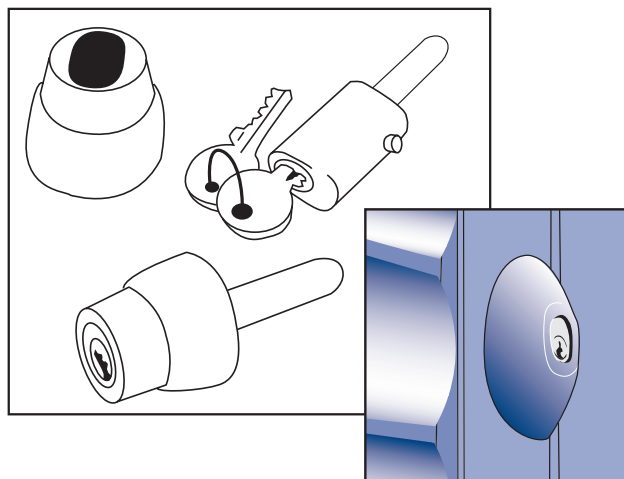
(3) Prefer

CENTRE LOCK c/w RODS

#### Ground Locks



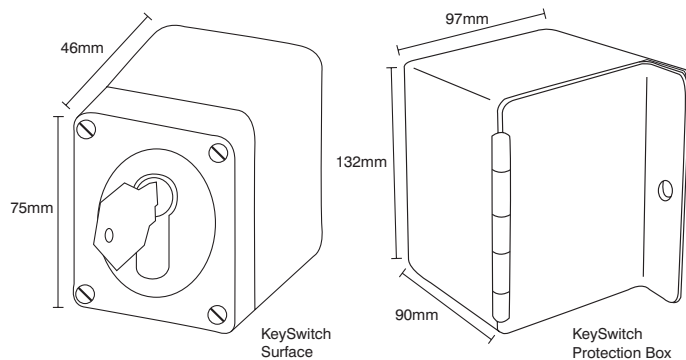
#### Channel Locks



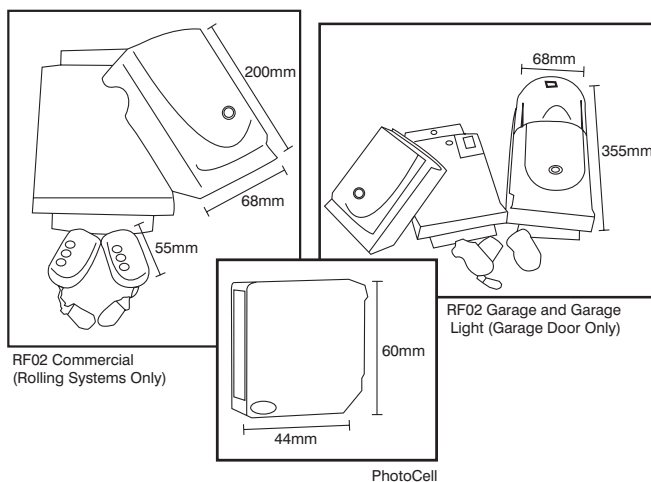


# ACCESSORIES & ALTERNATIVE COMPONENTS

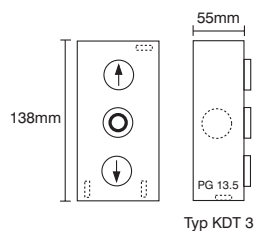
## KeySwitch



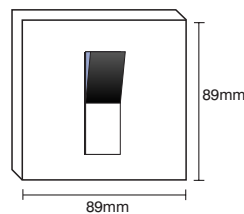
## Remote Control Units



## Push Button Control Unit



## Rocker Switch



1 Oak Lane Fishponds Bristol BS5 7UY Tel: 0117 965 4888 Fax: 0117 965 7773

email: [info@hag.co.uk](mailto:info@hag.co.uk) website: [www.hag.co.uk](http://www.hag.co.uk)

### DISCLAIMER

HAG operates a policy of continuous improvement. Product specification may change and it is advisable to consult with HAG technical advisors before specifying or ordering.

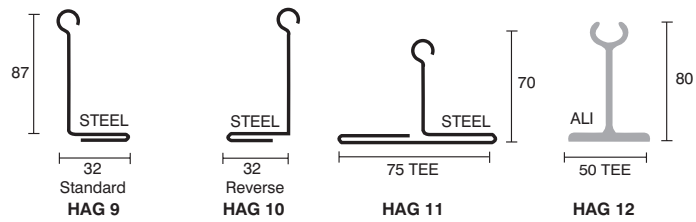


# ROLLING SECURITY SYSTEMS

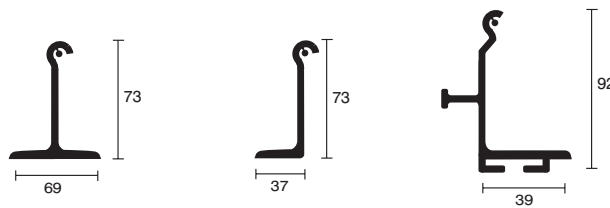
## Technical Drawing Detail

### Variable Components

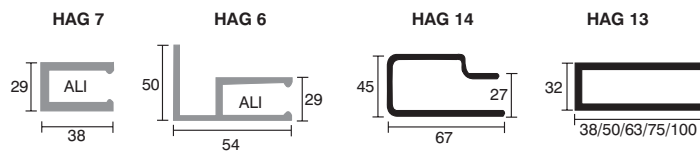
#### BOTTOM RAIL



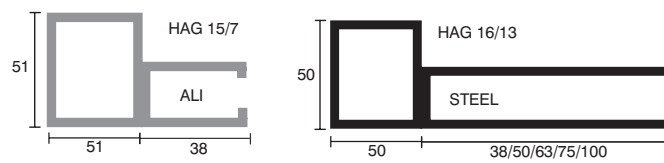
Addition - HAG 11 can incorporate a rubber weather strip



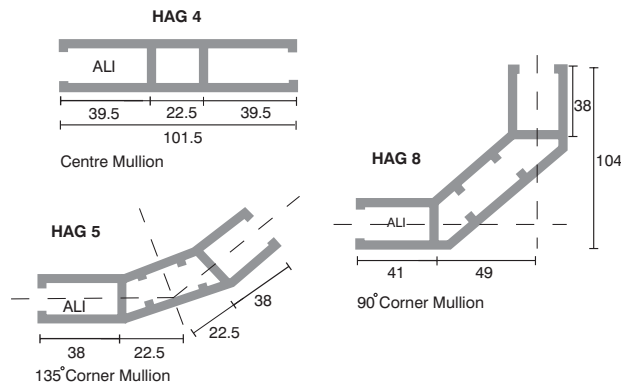
#### GUIDE



Addition - HAG 13 can incorporate a Noise Reduction Strip to the leading edge



#### MULLION



---

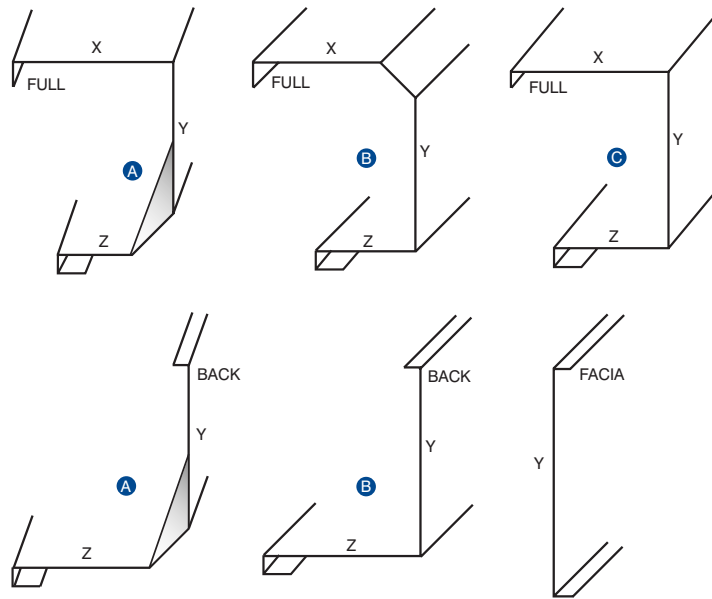
# INSTALLATION OPTIONS

## Rolling Security Systems

---

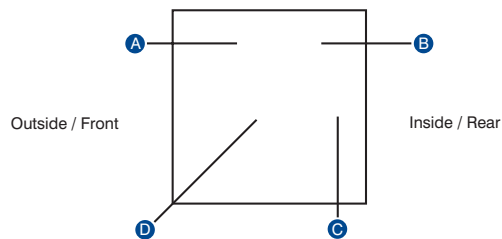
### Variable Components

#### CANOPY DETAIL/PROFILE



X + Y = 254 - 355 (Or Special)  
Z = 127 - 200  
Y = 254 - Any Specified

#### MANUAL OVERRIDE POSSIBLE EXIT POSITIONS



1 Oak Lane Fishponds Bristol BS5 7UY Tel: 0117 965 4888 Fax: 0117 965 7773

**email:** info@hag.co.uk **website:** www.hag.co.uk

#### DISCLAIMER

HAG operates a policy of continuous improvement. Product specification may change and it is advisable to consult with HAG technical advisors before specifying or ordering.

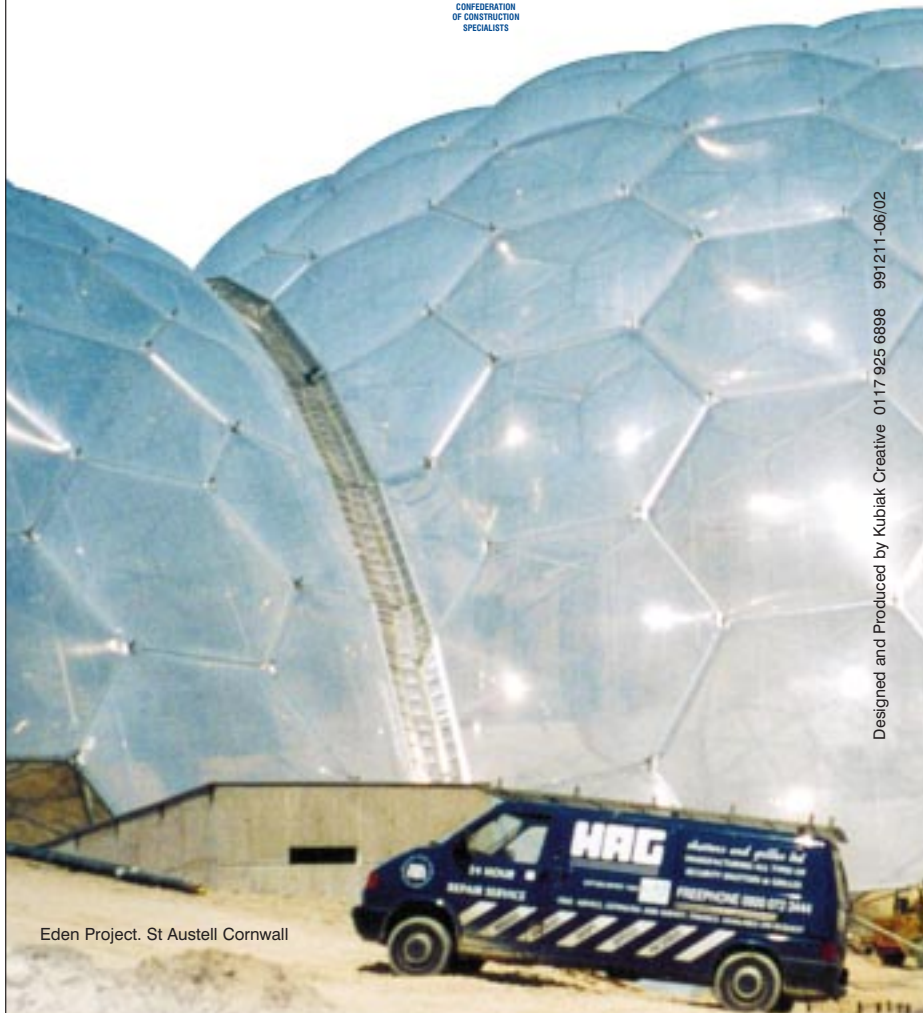


HAG design, manufacture and install a full range of property protection systems for domestic commercial and industrial applications.

Our dedicated Customer service teams ensure complete satisfaction by providing comprehensive support from ordering to owning HAG products.

After care benefits:

- Nation wide service
- 24 hour repair help line
- Service contracts



Eden Project. St Austell Cornwall

Designed and Produced by Kubiak Creative 0117 925 6898 991211-06/02

NATIONAL ADVICE LINE  
0117 965 4888

1 Oak Lane Fishponds Bristol BS5 7UY Tel: 0117 965 4888 Fax: 0117 965 7773

email: [info@hag.co.uk](mailto:info@hag.co.uk) website: [www.hag.co.uk](http://www.hag.co.uk)

DISCLAIMER

HAG operates a policy of continuous improvement. Product specification may change and it is advisable to consult with HAG technical advisors before specifying or ordering.