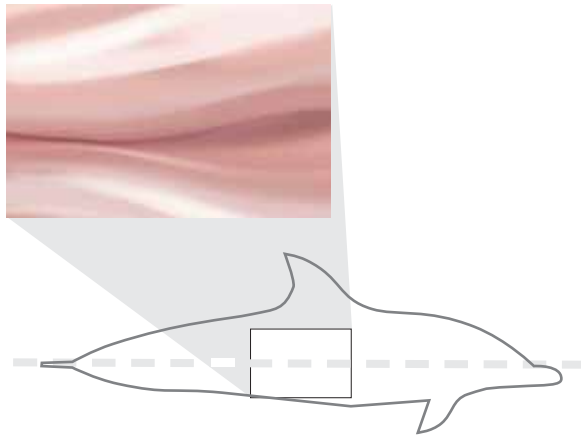




THE BABY PATTERN



AMAZON RIVER DOLPHIN

As its name suggests, the dolphin is mostly found in the Amazon Basin, but it also inhabits the Madeira River in Bolivia as well as the Orinoco basin in Venezuela. Because of its distinct colour it is commonly known as the pink-river dolphin. With a minimum length of 8.5 feet, it is the largest of the river dolphins.



Dolphin Baby is our range of intelligently designed nappy-change units, available in plastic or stainless to match other washroom fittings, and either recessed or surface-mounted

Super-robust construction with and covered by Dolphin's no-quibble guarantee, Dolphin Baby units are exactly what you need when it's time for a change.

CASE STUDY	2
COLLECTION	4
<hr/>	
PRODUCT CATEGORIES	
PLASTIC TABLES	6
STAINLESS STEEL TABLES	11
FOLDING SEATS	14
ACCESSORIES	15



CASE STUDY

SIEMENS SUSTAINABILITY CENTRE LONDON, UK

The BCI00SSC-R was chosen for all the nappy changing facilities throughout this building.

Due to its innovative architecture and technology the Crystal is one of the world's most sustainable buildings, achieving Outstanding BREEAM accreditation and Platinum LEED accreditation – the most stringent standards for sustainable design and construction.

Designed by award winning architects Wilkinson Eyre, this iconic sustainable building draws inspiration from the many sides of a crystal. The external shape of the building creates unique internal spaces, including an auditorium, conference facilities, meeting rooms and office spaces.

With its waterside location on London's Royal Docks, the Crystal architecture provides a striking contrast to the surrounding skyline, the O2 Arena, Canary Wharf and the Emirates Airline Cable Car that passes by.

FOR FULL TECHNICAL DETAILS SEE DOLPHINSOLUTIONS.CO.UK



FEATURED PRODUCTS



BC100SSC-R



THE PRESTIGE DOCM COLLECTION



FEATURED PRODUCTS



DP7504



DP3111



DP5108



DB1650



DP640



COLLECTION CURATED BY
CHRIS BEATTIE

Changing areas need to look simple and be just as easy to clean.

These stainless steel towel dispensers and baby changing tables complement each other; along with a stainless steel under-counter round bin on wheels. Bright colouring and lighting makes it an interesting area to change your baby.

A stylish 'no touch' sensor tap was chosen for hygiene in this room and we have included a chrome plated waste trap to finish the design off.



DP600200



DP600300



DP680100



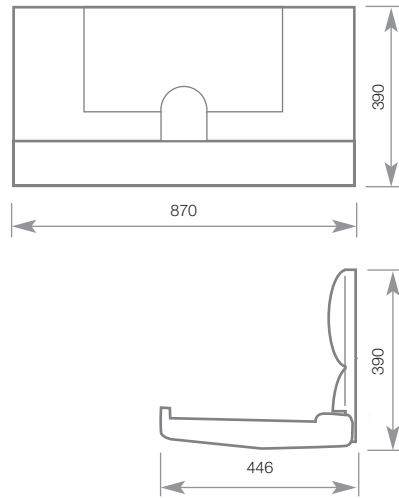
BC100SS-SM



DPI106



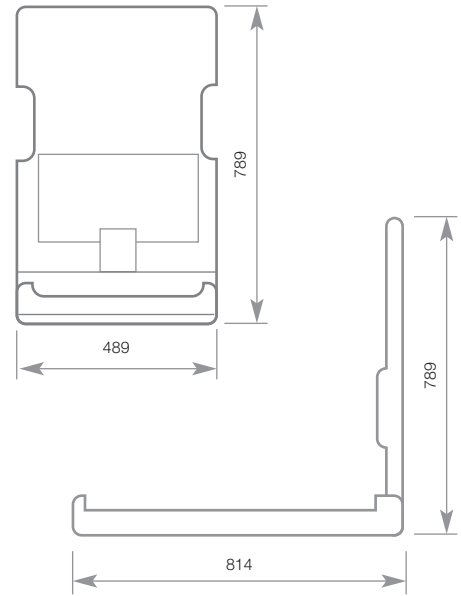
BC100EH DOLPHIN HORIZONTAL NAPPY CHANGING UNIT



390 MM	HEIGHT
870 MM	WIDTH
100 MM	PROJECTION CLOSED
446 MM	PROJECTION OPEN

-
- > Easy to clean, high density polyethylene which inhibits bacterial growth
 - > Pneumatic gas shock mechanism to ensure smooth and safe opening and closing
 - > Clean design fits virtually all decors and is excellent for cost conscious customers
 - > The unit meets all of the standards of EN 12221:2008+A1:2013 (minus clause 4.1)
 - > The unit has passed the ASTM F2285 test standards for a child at 50 pounds/22.7 kg
 - > This product is warranted against manufacturing defects for a period of 5 years

BC100EV DOLPHIN VERTICAL NAPPY CHANGING UNIT

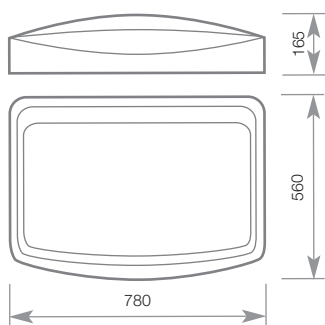


- 789 MM** HEIGHT
- 489 MM** WIDTH
- 102 MM** PROJECTION CLOSED
- 814 MM** PROJECTION OPEN

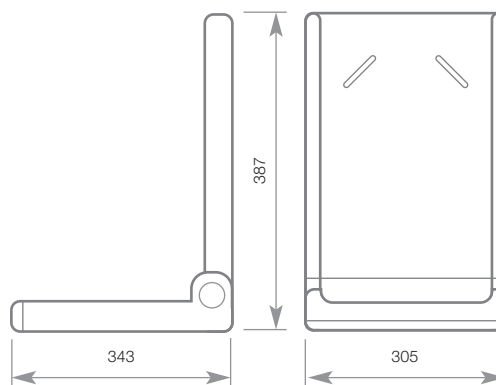
- > Easy to clean, high density polyethylene which inhibits bacterial growth
- > Pneumatic gas shock mechanism to ensure smooth and safe opening and closing
- > Offering a narrower footprint, the vertical model allows for mounting in smaller spaces
- > The unit has passed the ASTM F2285 test standards for a child at 50 pounds/22.7 kg
- > This product is warranted against manufacturing defects for a period of 5 years

BC100-BM2 DOLPHIN COUNTERTOP NAPPY CHANGING UNIT

BC100-BQS DOLPHIN CHILD SAFETY SEAT



165 MM HEIGHT
780 MM WIDTH
560 MM PROJECTION

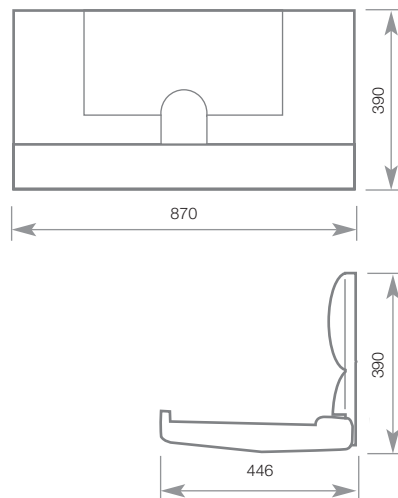


387 MM HEIGHT
305 MM WIDTH
95 MM PROJECTION CLOSED
343 MM PROJECTION OPEN

- > One piece, white polyethylene construction ensures a very hygienic surface
- > Easy fit system for fast installation
- > Extra deep barriers eliminate any need for straps reducing maintenance and inspection costs
- > Fully Compliant with BS EN 12221: 2008

- > Supports static load of 36.3kg
- > Moulded white polyethylene construction
- > Keeps child safely off washroom floor
- > Can be used as a high chair to save on floor space
- > This product is warranted against manufacturing defects for a period of 5 years

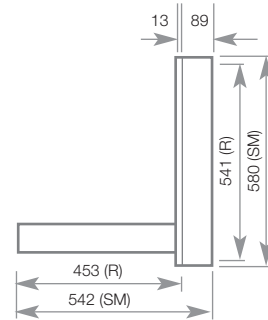
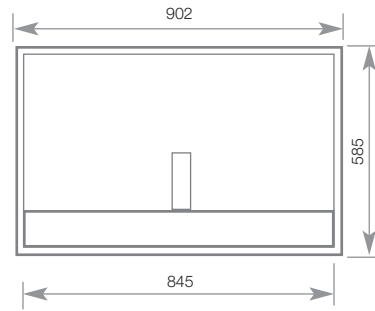
BC100EH-SS DOLPHIN STAINLESS STEEL HORIZONTAL NAPPY CHANGING UNIT



- 390 MM** HEIGHT
- 870 MM** WIDTH
- 100 MM** PROJECTION CLOSED
- 446 MM** PROJECTION OPEN

- > Easy to clean, high density polyethylene which inhibits bacterial growth
- > Pneumatic gas shock mechanism to ensure smooth and safe opening and closing
- > Brushed 304 stainless steel shell delivers upscale appearance for high-end facilities at an economical cost
- > The unit meets all of the standards of EN 12221:2008+A1:2013 (minus clause 4.1)
- > The unit has passed the ASTM F2285 test standards for a child at 50 pounds/22.7 kg
- > This product is warranted against manufacturing defects for a period of 5 years

BC100SS DOLPHIN STAINLESS STEEL NAPPY CHANGING UNIT



SURFACE MOUNTED VERSION

BC100SS-SM

- 595 MM HEIGHT**
- 902 MM WIDTH**
- 102 MM PROJECTION CLOSED**
- 542 MM PROJECTION OPEN**

RECESSED VERSION

BC100SS-R

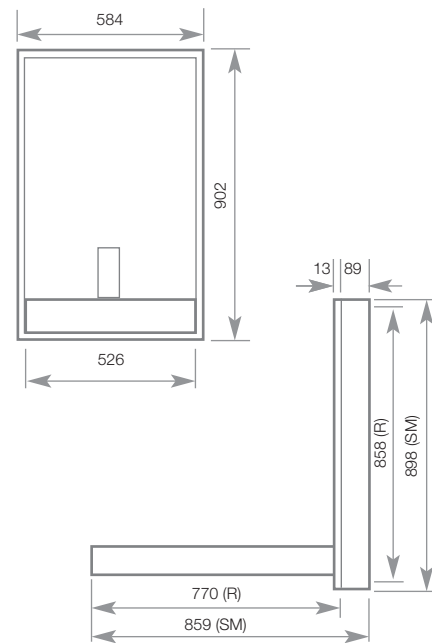
- 595 MM HEIGHT**
- 902 MM WIDTH**
- 13 MM PROJECTION CLOSED**
- 453 MM PROJECTION OPEN**

RECESS DIMENSIONS

H 552 x W 876 x D95 MM

- › Supports a static load of 181 kg
- › Entire body is 16 gauge, type 304 brushed stainless steel providing maximum durability – can be used in high use areas
- › Both recessed and surface-mounted options available
- › Concealed pneumatic control cylinder provides smooth opening/closing
- › This product is warranted against manufacturing defects for a period of 5 years.

BCI00SSV DOLPHIN VERTICAL STAINLESS STEEL NAPPY CHANGING UNIT



SURFACE MOUNTED VERSION

BCI00SSV-SM

- 902 MM HEIGHT**
- 584 MM WIDTH**
- 102 MM PROJECTION CLOSED**
- 859 MM PROJECTION OPEN**

RECESSED VERSION

BCI00SSV-R

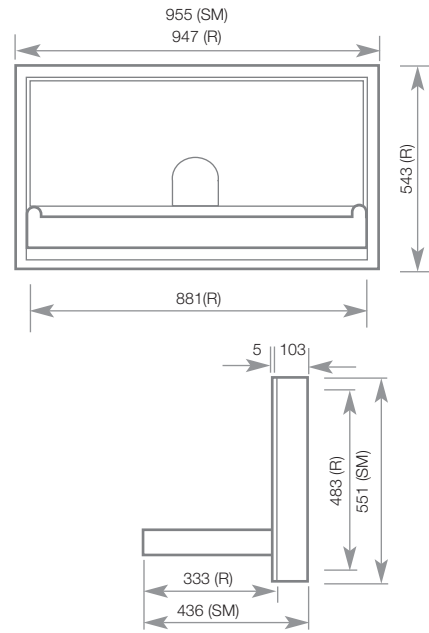
- 902 MM HEIGHT**
- 584 MM WIDTH**
- 13 MM PROJECTION CLOSED**
- 770 MM PROJECTION OPEN**

RECESS DIMENSIONS

H 867 x W 552 x D95 MM

- > Supports a static load of 181kg
- > Entire body is 16 gauge, type 304 brushed stainless steel providing maximum durability – can be used in high use areas.
- > Both recessed and surface-mounted options available
- > Concealed pneumatic control cylinder provides smooth opening/closing
- > This product is warranted against manufacturing defects for a period of 5 years.

BC100SSC DOLPHIN STAINLESS STEEL CLAD NAPPY CHANGING UNIT



SURFACE MOUNTED VERSION

BC100SSC-SM

- 551 MM HEIGHT**
- 955 MM WIDTH**
- 108 MM PROJECTION CLOSED**
- 436 MM PROJECTION OPEN**

RECESSED VERSION

BC100SSC-R

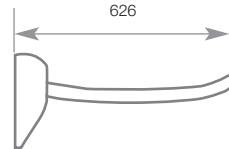
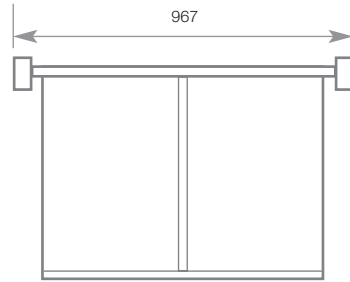
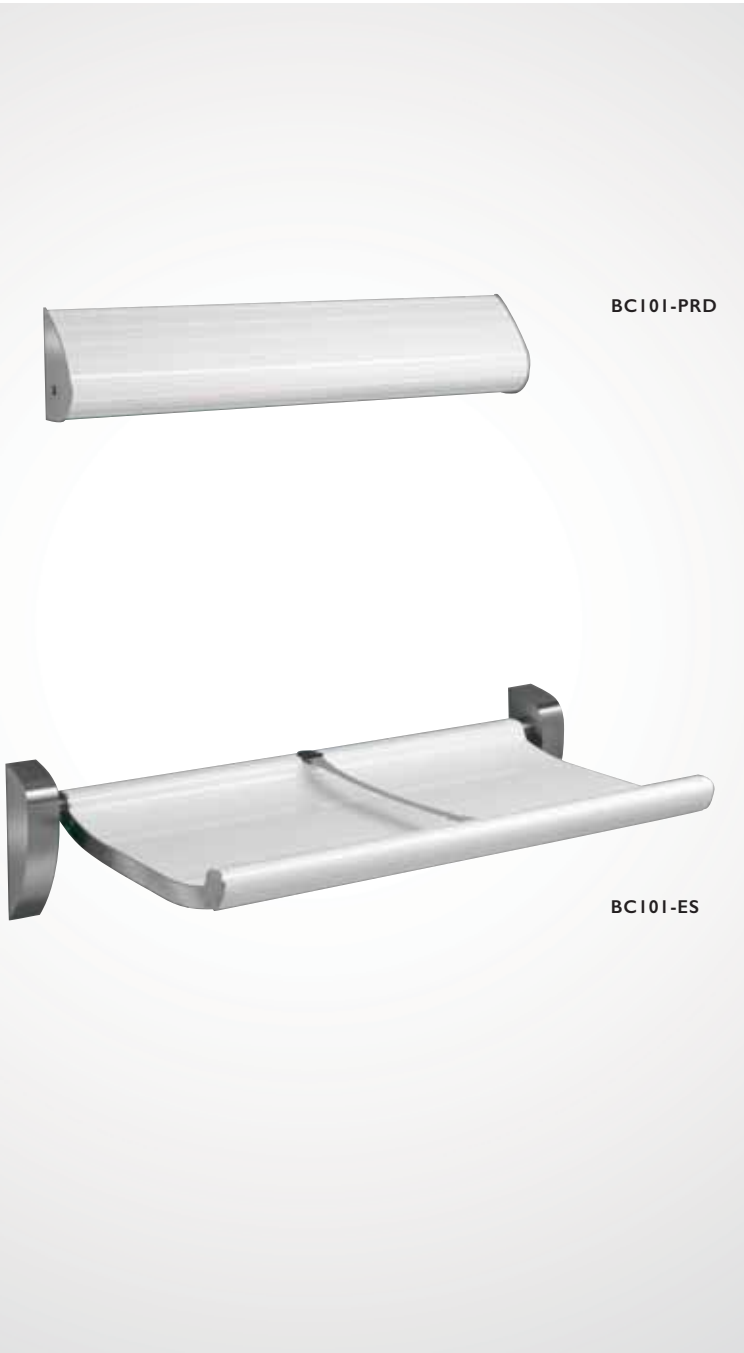
- 435 MM HEIGHT**
- 947 MM WIDTH**
- 5 MM PROJECTION CLOSED**
- 333 MM PROJECTION OPEN**

RECESS DIMENSIONS

H 499 x W 905 x D108 MM

- > Polyethylene body with 304 brushed stainless steel encasement
- > Both wall-recessed and surface-mounted options available
- > Recessed unit only protrudes 345mm when open
- > Other features as **BC100-EH**
- > Delivers an upscale appearance for high finish facilities
- > This product is warranted against manufacturing defects for a period of 5 years.

BC100-ES DOLPHIN TITAN CHANGING UNIT AND LINER ROLL DISPENSER



BC101-ES

- 967 MM WIDTH
- 626 MM PROJECTION OPEN
- 105 MM PROJECTION CLOSED

BC101-PRD

- 110 MM HEIGHT
- 794 MM WIDTH

- > Carrying capacity of more than 400kg
- > An alternative design embodying strength, safety and hygiene in a robust construction
- > Ideal for use in public toilets, washrooms or any area particularly vulnerable to vandalism
- > Optional liner roll dispenser above the table
- > Pneumatic shock absorbers, facilitating smooth and noiseless operation
- > Offers your customers a unique service and optimum safety
- > Hygienic and a customer-friendly solution

BC103NLB DOLPHIN NAPPY DISPOSAL BIN



740 MM HEIGHT
410 MM WIDTH
410 MM PROJECTION

- > Moulded polyethylene construction
- > Available in either white or grey
- > 65 litre capacity
- > Airtight top fitting
- > Takes clinical waste sacks **BC 056-CWR**
- > Chuted lid for discretion and maximum hygiene

**BC5463-04 DOLPHIN STAINLESS STEEL
BABY CHANGE SIGN**



76 MM DIAMETER
2 MM PROJECTION

- > Quality signage in satin stainless steel

BC101PR DOLPHIN LINER ROLL



- > Liner roll to go with **BC101PRD**
- > Pack of 6 rolls
- > Hygienic and a customer-friendly solution

BC036-LCR DOLPHIN CHANGER LINERS



- > Soft, absorbant sanitary liners with plastic waterproof lining
- > Maximise hygiene by catching accidental spills and protect babies from previous users
- > 500 liners per pack



Our Dolphin Baby texture was inspired by the Amazon River Dolphin,
one of only three fresh water species of dolphin. And yes, it really is pink.

Dolphin Solutions Ltd
Southpoint, Compass Park,
Junction Road
Bodiam, TN32 5BS,
United Kingdom
T +44 (0)1424 202 224
info@dolphinsolutions.co.uk
dolphinsolutions.co.uk

© Dolphin Solutions Ltd