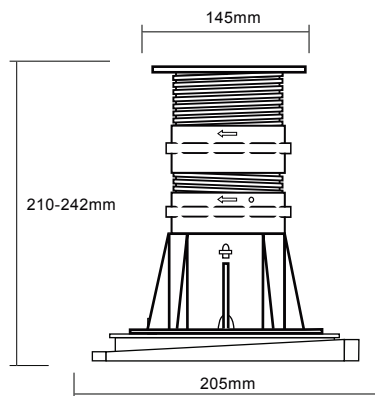
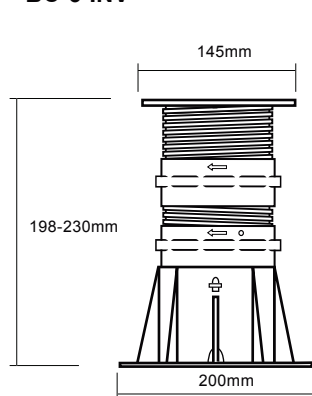


BC-6-INV - adjustable from 198 to 230mm

BC-6-INV + BC-PH5

BC-6-INV



- BC-4 TOP
- C4-BC-INV INVERTER
- BC-4-BASE
- BC-PH5-SLOPE CORRECTOR



Adjustable height

Adjustable height from 198 to 230mm uninterrupted.
With addition of a 0 to 5% slope corrector BC-PH5, adjustable from 210 to 242mm .

Composition

BC-4 pedestal + 1x Inverter C4-BC-INV.

Material

Copolymer polypropylene (CPP), material thickness 3 to 4.5mm
Composition: 80% recycled PPC, 20% talc and UV black masterbatch, 100% recyclable.

Dimensions of the BC-6-INV pedestal

Head = diameter 145mm – Surface area 165cm²
Base = diameter 200mm – Ground surface 315cm²
Inverter = Internal diameter 105mm – Adjustable height + 34mm
(Qty = 1x)

Performances

Resisting UV rays, weather, sea salt and almost all chemicals
Temperature range: -30° to + 90°

Applications

Support for outdoor terraces with any kind of materials: timber decking, stone, ceramic, composite materials, metal, fiberglass grid...Can be placed on any stable substrate, also over insulation panels.

Slope corrector BC-PH-5 from 0 to 5%

Slope corrector B C-PH5 is placed under the base of pedestal BC-6-INV. Consisting of 2 cylindrical parts, it allows to compensate for 1 to 5% slopes by simply rotating the devices.
Thickness of BC-PH-5 = + 12 mm to be added to the adjustable height of pedestal BC-6-INV.



Accessories

• **Independent tabs** : Material in polyamide, tabs available in 2-3-4.5-6-8-10mm thickness to achieve an open gap between pavers.

Rectangular tabs



Circular tabs 360°



• **Shim**: Enhances acoustic performance and can help to level uneven paving materials.



1mm and 2mm thickness
EPDM -60 Shore

• **Joist support**: Supports timber, aluminium or composite battens for most decking systems..



The adjustable guide allows a joist (width between 35 and 90 mm)
Made in CPP

Compression test (1daN = 1Kg/f = 2,23lbf)

Performed on the full (1/1), half (1/2) or quarter (1/4) surface of the head.

| Position | Height(mm) | Breaking Load(daN) | Breaking Load(lbf) |
|----------|------------|--------------------|--------------------|
| 1/1 | 230 | 1188 | 2649 |
| 1/2 | 230 | 1070 | 2386 |
| 1/4 | 230 | 643 | 1434 |



Buzon Pedestal International s.a./ n.v.

Z.I. des Hauts-Sarts, Zone 1 - Prolongement de la rue de l'Abbaye, 134 - B-4040 Herstal - Belgium

Tel +32 (0)4 248 39 83

Fax +32 (0)4 264 82 38

E-Mail info@buzon.eu

www.buzon.eu