



NATIONAL TEST REPORT
(BS 6180 : 2011)

EASY GLASS[®] MAX
Y-PROFILE
MOD.6936

TEST REPORT

Lucideon Reference: 15469 (QT34585/1/SL)/Ref. 3/CR1

Project Title: Testing of Q-Railing Europe Glass Balustrade System to BS 6180:2011 - Easy Glass Max "Y" Side Mount

Client: Q-railing Europe GmbH & Co.KG
Marie-Curie-Strasse 8-14
Emmerich am Rhein
D-46446
Germany

For the Attention of: Mr Samuel Hanna

Author(s): Mr Drew Bennett

Report Date: 10 March, 2015

Purchase Order No.: 10-01510-00367

Work Location: Lucideon UK

This report supersedes the report issued on 27.02.15.



Miss Joanne Booth
Consultancy Team
Reviewer



Mr Drew Bennett
Consultancy Team
Project Manager



CONTENTS

	Page
1 INTRODUCTION	3
2 TEST SAMPLES	3
3 TEST PROGRAMME	3
4 TEST METHOD	3
5 RESULTS	4
TABLES	5-13
PLATE	14
CHART	15
APPENDIX – Q-Railing Figures	

DBe/LMP/N15TRE03
10.03.15

1 INTRODUCTION

Lucideon were commissioned by the client, Q-Railing Europe GmbH and Co KG, to carry out load testing in accordance with BS 6180:2011 Barriers in and about buildings, to allow their balustrade system to be classified for use in accordance with the Code of Practice included within the standard.

The testing was carried out at Q-Railing Europe GmbH and Co KG's facilities at 8-14 Marie-Curie Straße 46446 Emmerich am Rhein Germany.

This report summarizes the test results obtained during the test programme and does not provide interpretation of those results.

2 TEST SAMPLES

The aluminium channel tested was designated as Easy Glass Max "Y" Side Mount (6936). The system is shown in Figure 1.

The channel was installed by Q-Railing Personnel.

3 TEST PROGRAMME

A horizontal line load was applied to the aluminium channel with the following glass types:

- 19 mm glass - size (w x h):1000 mm x 1000 mm (monolith glass heat toughened).
- 19 mm glass - size (w x h):1000 mm x 1200 mm (monolith glass heat toughened).
- 25.52 mm glass - size (w x h):1000 mm x 1000 mm (laminated PVB glass heat toughened).
- 25.52 mm glass - size (w x h):1000 mm x 1200 mm (laminated PVB glass heat toughened).
- 25.52 mm Sentury glass - size (w x h): 1000 mm x 1200 mm (laminated Sentury glass heat toughened).
- 31.52 mm glass - size (w x h):1000 mm x 1200 mm (laminated PVB glass heat toughened).

4 TEST METHOD

The channel was bolted to the side of a concrete block, which was fixed to the floor of the test facility. The 1.0 m length of channel was bolted to the block at 200 mm centres by the client using the appropriate fixings (see Figure 2).

A horizontal imposed line load was applied to the glass at a height of either 1.1 m or 0.9 m above the datum level of the floor and the deflection measured at the top central point of the panel 1.1 m or 0.9 m above the datum level of the floor. The load was applied via a hydraulic ram and the deflection measured using a linear voltage displacement transducer (see Plate 1).



5 RESULTS

The test was carried out in accordance with the guidance given in BS 6180 Barriers in and about buildings – Code of Practice. The standard states that the maximum allowable deflection for a free standing glass protective barrier panel is 25 mm.

Table 2 of BS 6180 Barriers in and about buildings – Code of Practice categorises parapets, barriers and balustrades for areas of use depending on the loads they have achieved under testing.

The loads achieved by the Q-Railing Europe GmbH and Co KG glazing system tested under horizontal imposed line load to the maximum deflection of 25 mm are given in Table 1.

All figures quoted in Table 1 contain no safety factors and are direct loads as achieved by the system under test conditions.

Tables 2 and 3 summarises the suitability of the tested systems in accordance with Table 2 of BS 6180:2011.

NOTE: The results given in this report apply only to the samples that have been tested.

END OF REPORT



Table 1 - Summary of Performance of Q-Railing Europe GmbH and Co. KG Balustrade System Tested under Horizontal Imposed Line Load

System	Glass	Imposed Line Load at 25 mm Deflection (kN/m)	Working Line Load for System (kN/m)	Deflection at Working Line Load for System (mm)
Easy Glass Max "Y" Side Mount	19 mm glass - size: 1000 mm x 1000 mm	3.21	3.00	23.02
	19 mm glass - size: 1000 mm x 1200 mm	2.03	1.50	17.37
	25.52 mm glass - size: 1000 mm x 1000 mm	4.02	3.00	16.21
	25.52 mm glass - size: 1000 mm x 1200 mm	2.53	1.50	11.32
	25.52 mm Sentury glass - size: 1000 mm x 1200 mm	3.01	3.00	24.92
	31.52 mm glass - size: 1000 mm x 1200 mm	3.02	3.00	24.09

Table 2 - Summary of Suitability of Q-Railing Europe Systems in Accordance with Table 2 of BS 6180:2011

Type of Occupancy for Part of the Building	Examples of Specific Use	Horizontal Uniformly Distributed Line Load (kN/m)	Easy Glass Max “Y” Side Mount			
			19 mm Glass - Size: 1000 mm x 1000 mm	19 mm Glass - Size: 1000 mm x 1200 mm	25.52 mm Glass - Size: 1000 mm x 1000 mm	25.52 mm Glass - Size: 1000 mm x 1200 mm
Domestic and residential activities	(i) all areas within or serving exclusively one single family dwelling including stairs, landings, etc but excluding external balconies and edges of roofs	0.36	✓	✓	✓	✓
	(ii) other residential, i.e. houses of multiple occupancy and balconies, including Juliette balconies and edges of roofs in single family dwellings	0.74	✓	✓	✓	✓



Type of Occupancy for Part of the Building	Examples of Specific Use	Horizontal Uniformly Distributed Line Load (kN/m)	Easy Glass Max "Y" Side Mount			
			19 mm Glass - Size: 1000 mm x 1000 mm	19 mm Glass - Size: 1000 mm x 1200 mm	25.52 mm Glass - Size: 1000 mm x 1000 mm	25.52 mm Glass - Size: 1000 mm x 1200 mm
Offices and work areas not included elsewhere, including storage areas	(iii) light access stairs and gangways not more than 600 mm wide	0.22	✓	✓	✓	✓
	(iv) light pedestrian traffic routes in industrial and storage buildings except designated escape routes	0.36	✓	✓	✓	✓
	(v) areas not susceptible to overcrowding in office and institutional buildings, also industrial and storage buildings except as given above	0.74	✓	✓	✓	✓



Type of Occupancy for Part of the Building	Examples of Specific Use	Horizontal Uniformly Distributed Line Load (kN/m)	Easy Glass Max "Y" Side Mount			
			19 mm Glass - Size: 1000 mm x 1000 mm	19 mm Glass - Size: 1000 mm x 1200 mm	25.52 mm Glass - Size: 1000 mm x 1000 mm	25.52 mm Glass - Size: 1000 mm x 1200 mm
Areas where people might congregate	(vi) areas having fixed seating within 530 mm of the barrier, balustrade or parapet	1.50	✓	✓	✓	✓
Areas with tables or fixed seating	(vii) restaurants and bars	1.50	✓	✓	✓	✓
Areas without obstacles for moving people and not susceptible to overcrowding	(viii) stairs, landings corridors ramps	0.74	✓	✓	✓	✓
	(ix) external balconies including Juliette balconies and edges of roofs; footways and pavements within building cartilage adjacent to basement/sunken areas	0.74	✓	✓	✓	✓



Type of Occupancy for Part of the Building	Examples of Specific Use	Horizontal Uniformly Distributed Line Load (kN/m)	Easy Glass Max "Y" Side Mount			
			19 mm Glass - Size: 1000 mm x 1000 mm	19 mm Glass - Size: 1000 mm x 1200 mm	25.52 mm Glass - Size: 1000 mm x 1000 mm	25.52 mm Glass - Size: 1000 mm x 1200 mm
Areas susceptible to overcrowding	(x) footways or pavements less than 3 m wide adjacent to sunken areas	1.50	✓	✓	✓	✓
	(xi) theatres, cinemas, discotheques, bars, auditoria, shopping malls, assembly areas, studios; footways or pavements greater than 3 m wide adjacent to sunken areas	3.00	✓	X	✓	X
	(xii) grandstands and stadia	(Note 1)	-	-	-	-
Retail areas	(xiii) all retail areas including public areas of banks/building societies or betting shops	1.50	✓	✓	✓	✓



Type of Occupancy for Part of the Building	Examples of Specific Use	Horizontal Uniformly Distributed Line Load (kN/m)	Easy Glass Max "Y" Side Mount			
			19 mm Glass - Size: 1000 mm x 1000 mm	19 mm Glass - Size: 1000 mm x 1200 mm	25.52 mm Glass - Size: 1000 mm x 1000 mm	25.52 mm Glass - Size: 1000 mm x 1200 mm
Vehicular	(xiv) pedestrian areas in car parks, including stairs, landings, ramps, edges of internal floors, footways, edges of roofs	1.50 (Note 2)	✓	✓	✓	✓
	(xv) horizontal loads imposed by vehicles	(Note 2)	-	-	-	-

Note 1 – See requirements of the appropriate certifying authority

Note 2 – Clause 8.1.1 of BS 6180:2011 states that "glass should not be used for vehicle protection barriers"

Table 3 - Summary of Suitability of Q-Railing Europe Systems in Accordance with Table 2 of BS 6180:2011

Type of Occupancy for Part of the Building	Examples of Specific Use	Horizontal Uniformly Distributed Line Load (kN/m)	Easy Glass Max "Y" Side Mount	
			25.52 mm Sentury Glass - Size: 1000 mm x 1200 mm	31.52 mm Glass - Size: 1000 mm x 1200 mm
Domestic and residential activities	(i) all areas within or serving exclusively one single family dwelling including stairs, landings, etc but excluding external balconies and edges of roofs	0.36	✓	✓
	(ii) other residential, i.e. houses of multiple occupancy and balconies, including Juliette balconies and edges of roofs in single family dwellings	0.74	✓	✓
Offices and work areas not included elsewhere, including storage areas	(iii) light access stairs and gangways not more than 600 mm wide	0.22	✓	✓
	(iv) light pedestrian traffic routes in industrial and storage buildings except designated escape routes	0.36	✓	✓
	(v) areas not susceptible to overcrowding in office and institutional buildings, also industrial and storage buildings except as given above	0.74	✓	✓



Type of Occupancy for Part of the Building	Examples of Specific Use	Horizontal Uniformly Distributed Line Load (kN/m)	Easy Glass Max "Y" Side Mount	
			25.52 mm Sentury Glass - Size: 1000 mm x 1200 mm	31.52 mm Glass - Size: 1000 mm x 1200 mm
Areas where people might congregate	(vi) areas having fixed seating within 530 mm of the barrier, balustrade or parapet	1.50	✓	✓
Areas with tables or fixed seating	(vii) restaurants and bars	1.50	✓	✓
Areas without obstacles for moving people and not susceptible to overcrowding	(viii) stairs, landings corridors ramps	0.74	✓	✓
	(ix) external balconies including Juliette balconies and edges of roofs; footways and pavements within building cartilage adjacent to basement/sunken areas	0.74	✓	✓
Areas susceptible to overcrowding	(x) footways or pavements less than 3 m wide adjacent to sunken areas	1.50	✓	✓
	(xi) theatres, cinemas, discotheques, bars, auditoria, shopping malls, assembly areas, studios; footways or pavements greater than 3 m wide adjacent to sunken areas	3.00	✓	✓
	(xii) grandstands and stadia	(Note 1)	-	-



Type of Occupancy for Part of the Building	Examples of Specific Use	Horizontal Uniformly Distributed Line Load (kN/m)	Easy Glass Max "Y" Side Mount	
			25.52 mm Sentry Glass - Size: 1000 mm x 1200 mm	31.52 mm Glass - Size: 1000 mm x 1200 mm
Retail areas	(xiii) all retail areas including public areas of banks/building societies or betting shops	1.50	✓	✓
Vehicular	(xiv) pedestrian areas in car parks, including stairs, landings, ramps, edges of internal floors, footways, edges of roofs	1.50 (Note 2)	✓	✓
	(xv) horizontal loads imposed by vehicles	(Note 2)	-	-

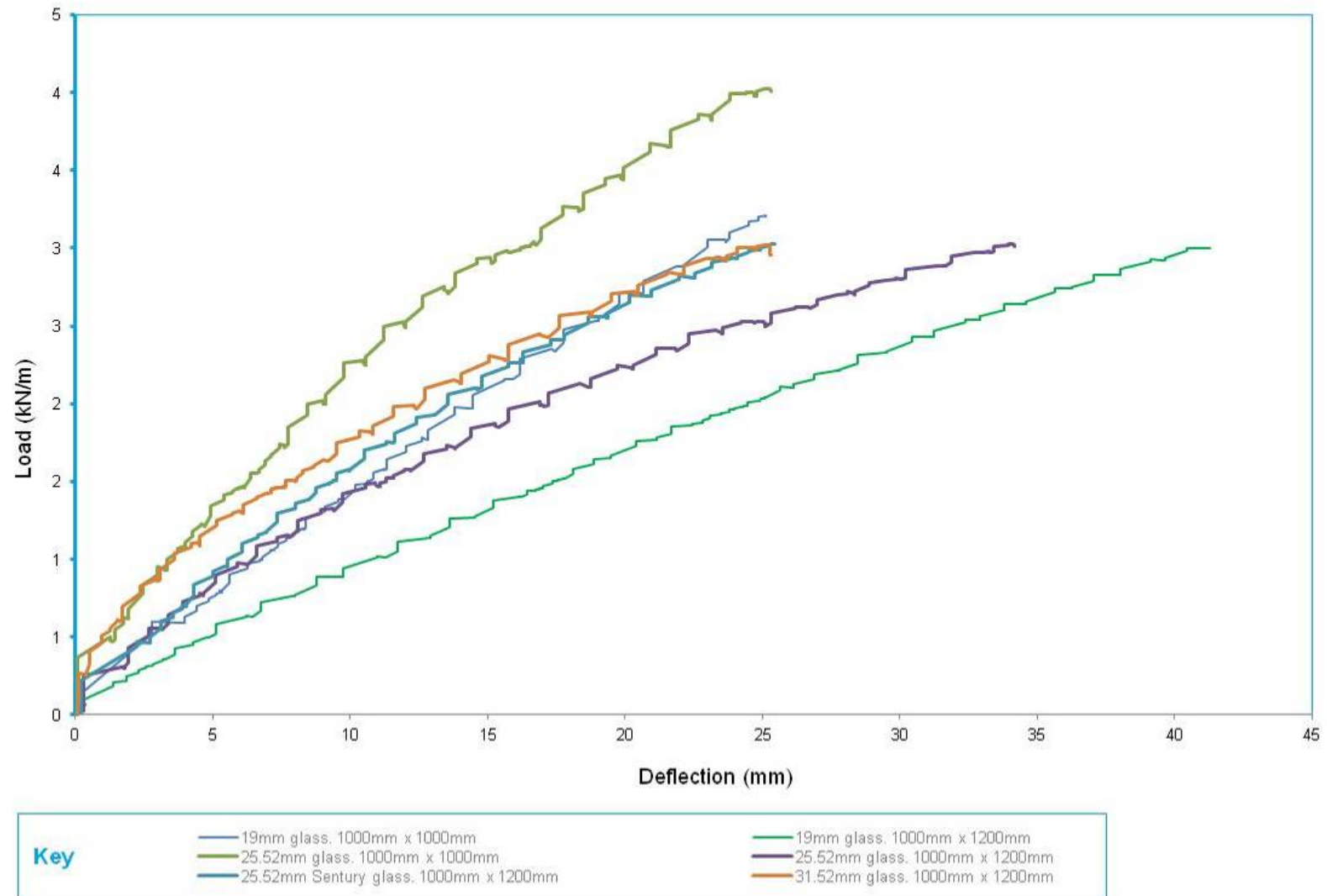
Note 1 – See requirements of the appropriate certifying authority

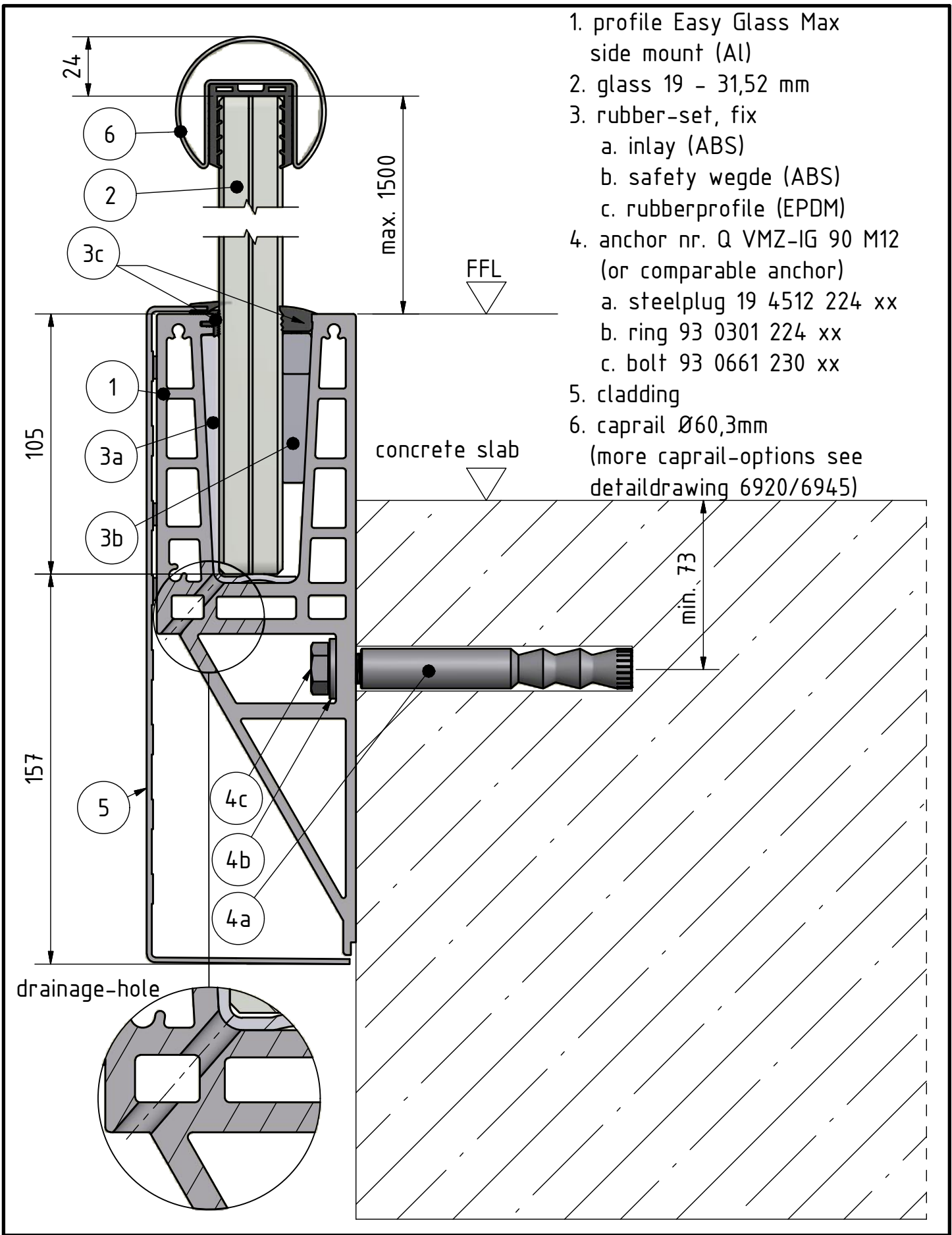
Note 2 – Clause 8.1.1 of BS 6180:2011 states that "glass should not be used for vehicle protection barriers"




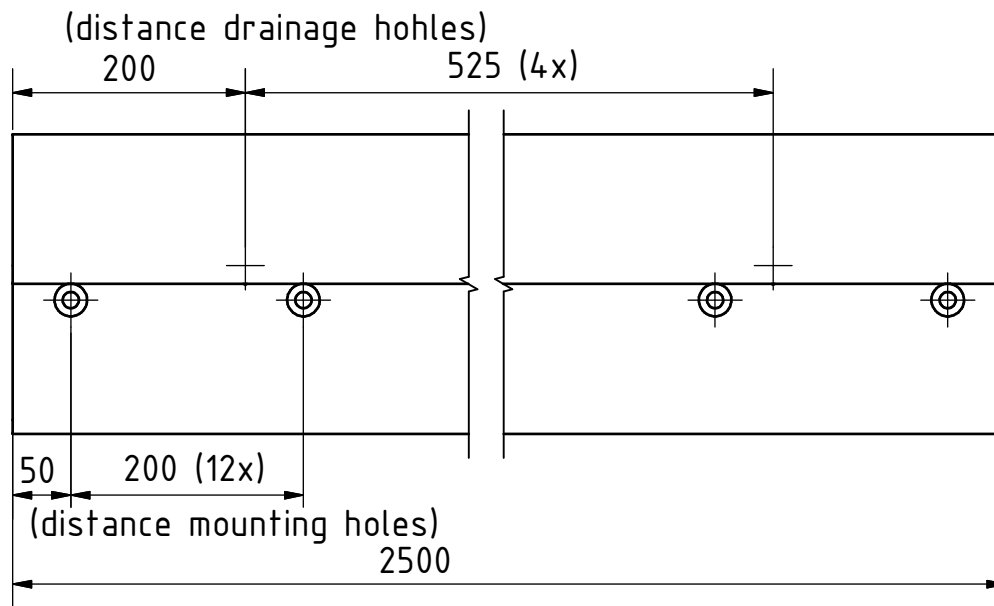
Plate 1 - Generic Test Arrangement

Chart 1 - Load-Deflection Curve for Q-Railing Easy Glass Max "Y" Side Mount

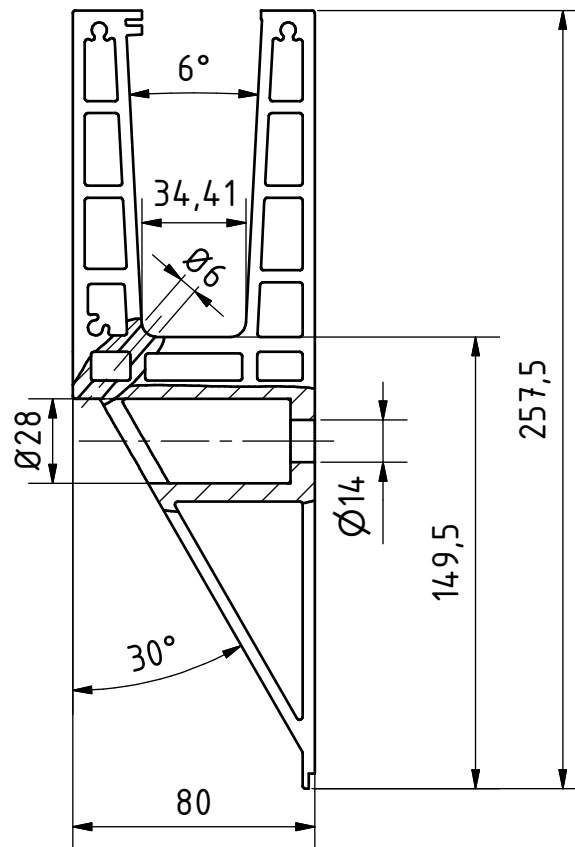
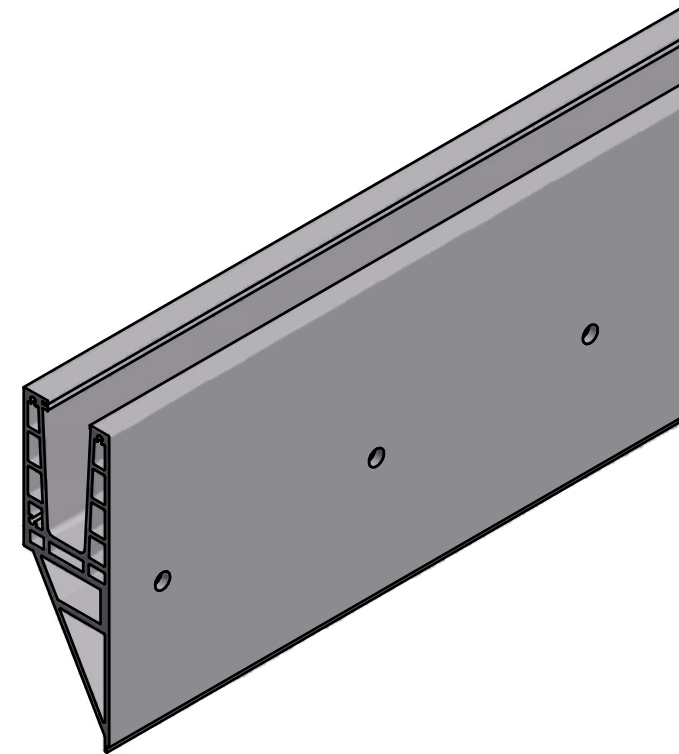




Article: Easy Glass Max	MOD: 6936	Drawn: LKA	This drawing and design are the sole property of Q-railing Europe GmbH & Co. KG. Any reproduction in part or as a whole and forwarding to unauthorised third parties without the permission of Q-railing is prohibited.
		Date: 13.01.2015	
		Edited:	
Project: side mount	Detail: 6936-002	Date:	
Scale: 1:2	Your choice in railing systems		



3D view



		Scale: 1 : 2,5	Weight: 32685 g		Rev.No.: 0
		Material: EN AW-6063 T6			Finish: sample no ~18
<small>THIS DRAWING IS PROPERTY OF Q-RAILING EUROPE GmbH & Co KG ALL RIGHTS RESERVED. It may not be submitted for perusal to third parties, either whole nor partly, unless granted. It is not permitted to alter this drawing unauthorised, in any way.</small>		Product line: Easy Glass Max			
Drawn	18.07.2014	Name		Description:	
Checked	18.07.2014	YPE		Base Shoe Y	
		TRR		Drawing no.:	
				CD-16693600018	
				Sheet:	
				1 / 1	
				A4	

GOOD LUCK WITH
YOUR INSTALLATION!

VIEL ERFOLG MIT
IHRER MONTAGE!

SUCCES MET
DE INSTALLATIE!