
VERTICAL BAR

We manufacture vertical bar fencing and access control solutions which deliver effective security from the 'outside in'. Our goal is to help our customers create a safe, secure and sustainable environment, whether that's for domestic homes, schools or government-approved sites.

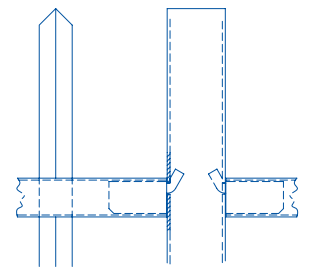
Our vertical bar range has been designed to work in tandem with surveillance technology to manage the threat of a breach in security.

We know that appearance matters, that's why our products are manufactured to look good and be secure, helping you to create the right impression.



Barbican® features our welded pale-through-rail construction which means there are no bolts to be forced or pales to be removed. The horizontal rails are sleeved on to the upright posts to provide a seamless design that is both stylish and incredibly strong.

- Posts can be customised for Barbed wire / Razor wire / Rota Spike® / Alarm-aFence®
- Vertical pale spacing conforms to building regulations for anti-trap
- Unique vandal-proof panel to post connectors
- Panels can be manufactured to accommodate sloping ground
- Suitable for almost any application from decorative and secure to highly secure
- Anti-climb design
- **25-year service life guarantee**



Post to panel fixings

APPLICATIONS

- ▶ Perimeters
- ▶ Schools
- ▶ Commercial premises

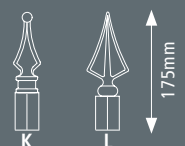
PANELS

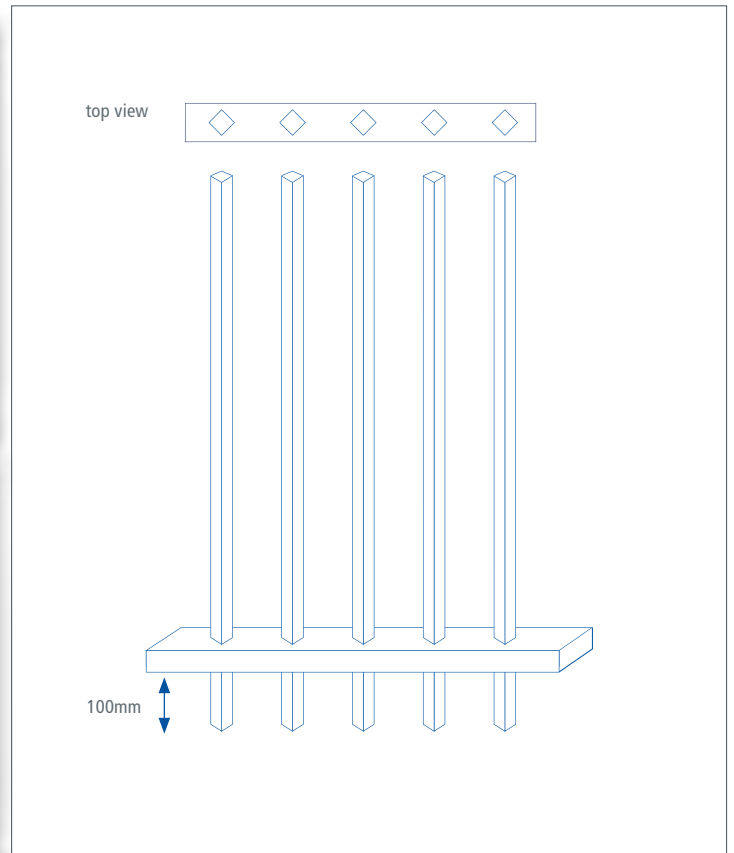
Barbican® panels are up to 3000mm high and have two horizontal hollow sections rails 60 x 40mm (3 rails if 3000mm high). Vertical rectangular hollow section 25 x 25mm pales are passed through the rails with standard spacing at 129mm centres. The tops of pales are cut at 45 degrees and left open as standard to form a point.

GATES

Matching single leaf and double leaf gates available

FINIAL OPTIONS





HEIGHT (mm)	POST CENTRES (mm)	POST DIMENSIONS (mm)	OVERALL POST LENGTH (mm)
1000	3000	60 x 60	1600
1250	3000	60 x 60	1800
1500	3000	60 x 60	2100
1800	3000	60 x 60	2500
2000	3000	60 x 60	2800
2500	3000	80 x 60	3300
2900	2484	80 x 60	3700
3000	2484	80 x 60	3800

POST OPTIONS

- Over length set in concrete as standard
- Base plated to bolt down onto concrete
- Cranked to suit wall mounting

FINISHES

- Hot dip galvanised to BS EN 1461 as standard
- Hot dip galvanised and powder coated to BS EN 13438
- Marine coat for installations within 500m of salt water or an estuary

STANDARD COLOURS

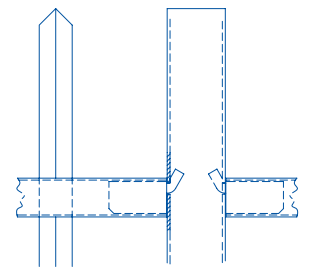
- Black RAL 9005
- Green RAL 6005
- Other colours are available on request

BARBICAN DEFENDER® XTREME



Barbican Defender® Xtreme projects a powerful visual representation of superior perimeter protection. The cranked pales are designed to prevent intruders from climbing or scaling the fence. Barbican Defender® Xtreme features curved pale lengths of 320mm and is ideal for higher security applications.

- Vertical pale spacing conforms to building regulations for anti-trap
- Unique vandal-proof panel to post connectors
- Panels can be manufactured to accommodate sloping ground
- Anti-climb design
- 25-year service life guarantee



Post to panel fixings

APPLICATIONS

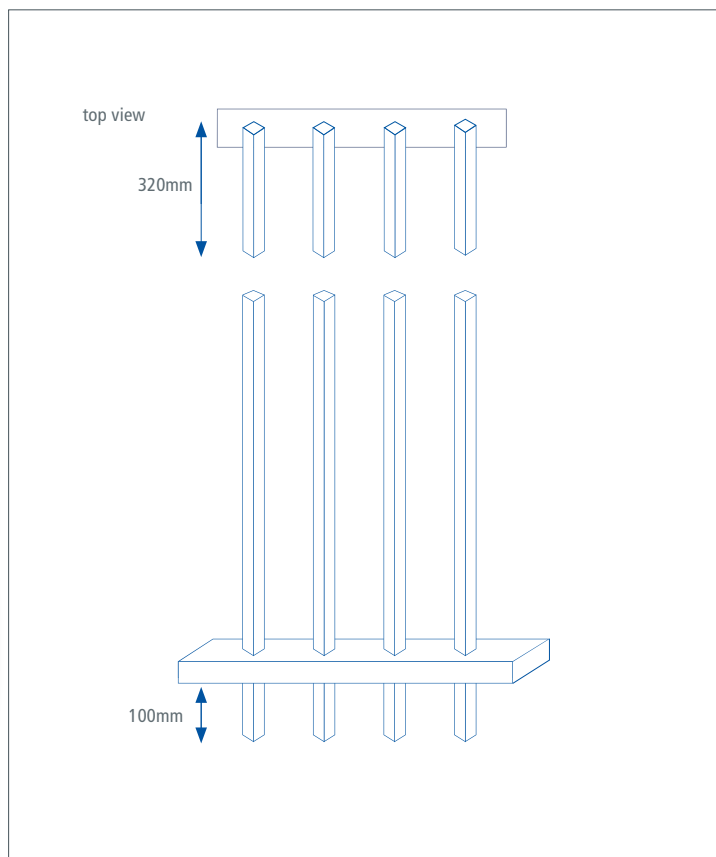
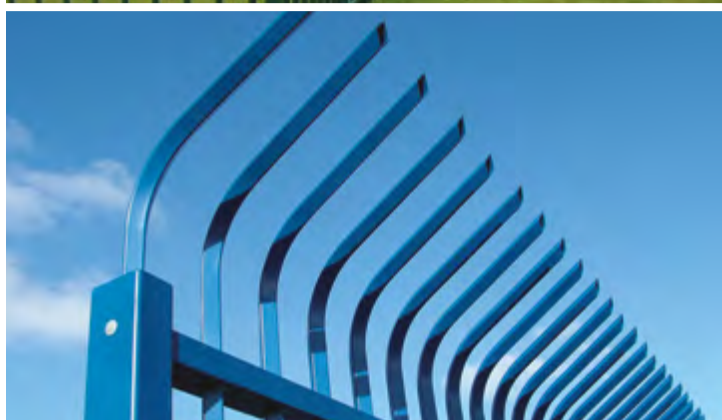
- ▶ High risk
- ▶ Perimeters
- ▶ Company premises
- ▶ Utilities

PANELS

Constructed as per Barbican® panels but pales are extended and cranked 320mm from the top rail, with each one cut at 45 degrees to form a point.

GATES

Matching single leaf and double leaf gates available



HEIGHT (mm)	POST CENTRES (mm)	POST DIMENSIONS (mm)	OVERALL POST LENGTH (mm)
2250	2484	80 x 60	3050
2500	2484	80 x 60	3300
3000	2484	80 x 60	3800

POST OPTIONS

- Overlength set in concrete as standard
- Base plated to bolt down onto concrete
- Cranked to suit wall mounting

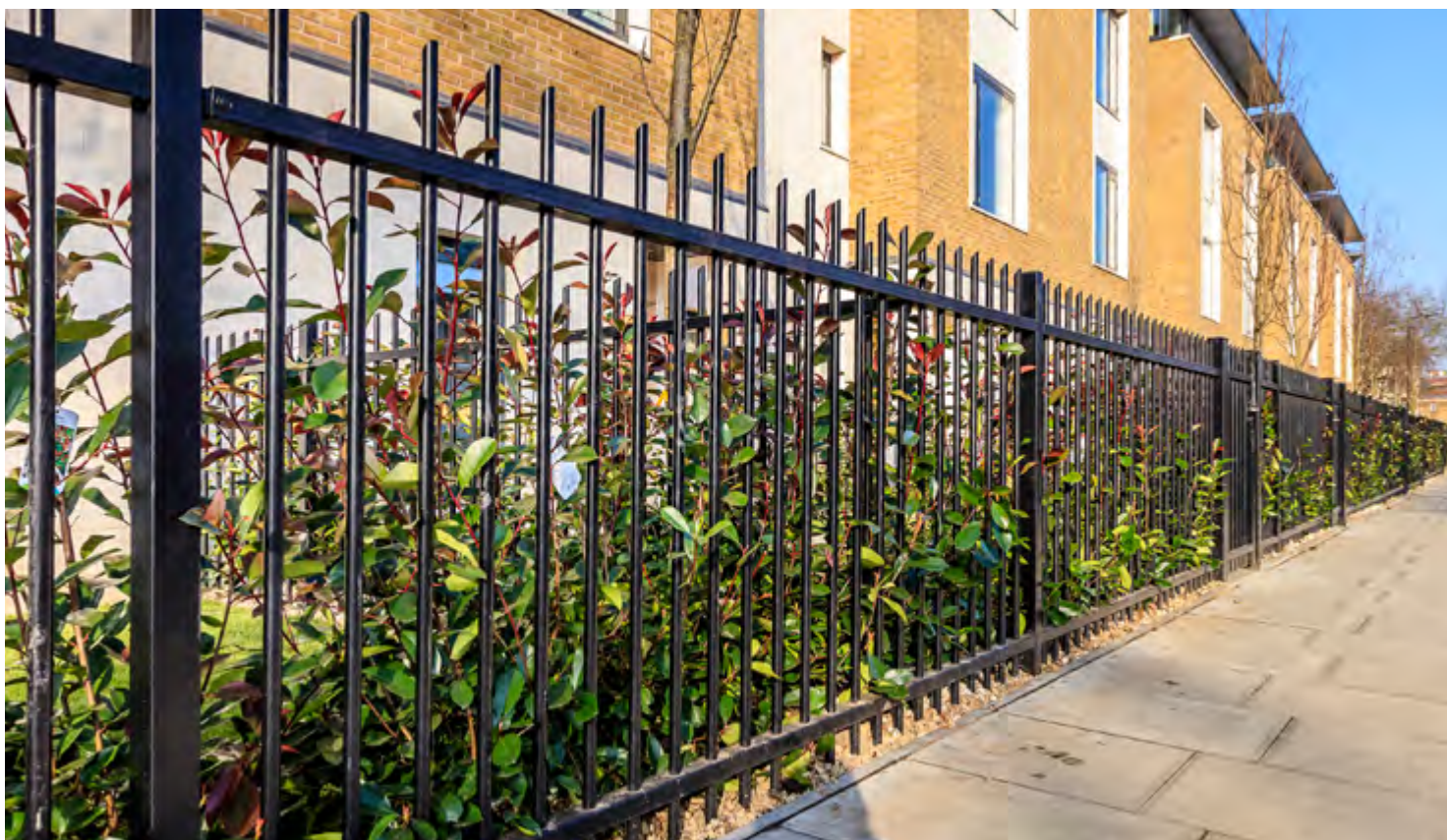
FINISHES

- Hot dip galvanised to BS EN 1461 as standard
- Hot dip galvanised and powder coated to BS EN 13438
- Marine coat for installations within 500m of salt water or an estuary

STANDARD COLOURS

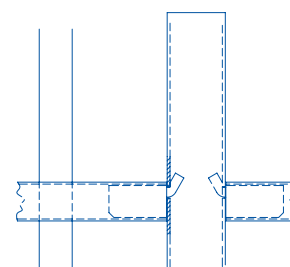
- Black RAL 9005
- Green RAL 6005
- Other colours are available on request

BARBICAN IMPERIAL®



Barbican Imperial® with its 25mm and 32mm diameter round pales delivers all the advantages of the Barbican® range with no reduction in strength or security. Barbican Imperial® is available with a choice of decorative finials and post tops to offer the right solution for even the most prestigious applications.

- Posts can be customised for Barbed wire / Razor wire / Rota Spike® / Alarm-aFence®
- Vertical pale spacing conforms to building regulations for anti-trap
- Unique vandal-proof panel to post connectors
- Panels can be manufactured to accommodate sloping ground
- Anti-climb design
- 25-year service life guarantee



Post to panel fixings

APPLICATIONS

- ▶ Perimeters
- ▶ Medium risk
- ▶ Schools

PANELS

Barbican Imperial® comprises of vertical round hollow section 25mm diameter pales up to 2000mm high at 124mm centres and 32mm for 2100mm+ with 129mm centres.

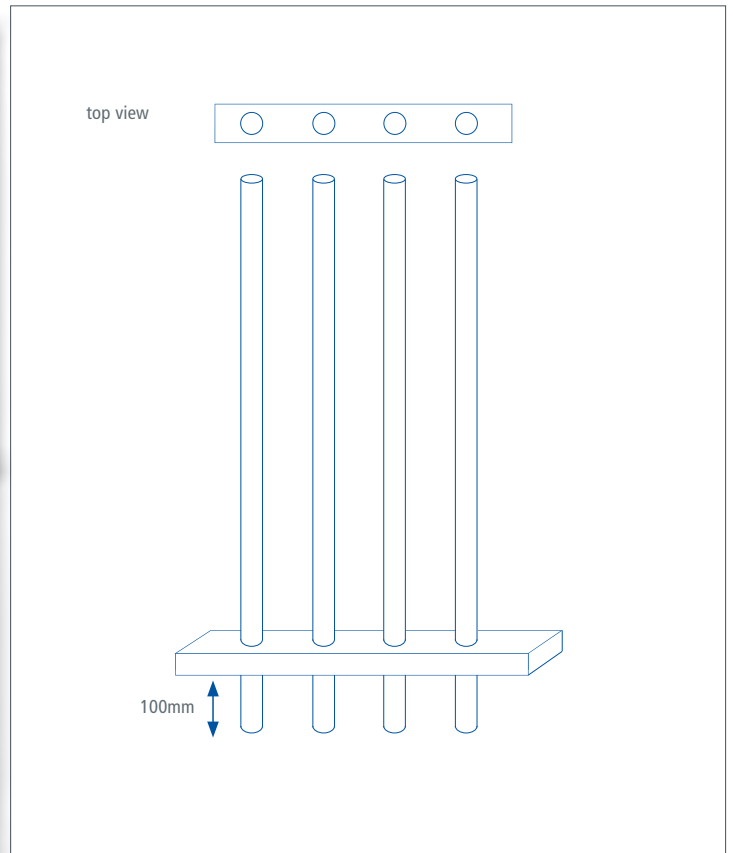
Panels under 1200mm come with flat top pales as standard, with an option of a pointed top. Panels 1500mm and above come with pales cut at 45°.

GATES

Matching single leaf and double leaf gates available

FINIAL OPTIONS





HEIGHT (mm)	POST CENTRES (mm)	POST DIMENSIONS (mm)	OVERALL POST LENGTH (mm)
1000	3000	60 x 60	1600
1250	3000	60 x 60	1850
1500	3000	60 x 60	2100
1800	3000	60 x 60	2500
2000	3000	60 x 60	2800
2500	3000	80 x 60	3300
3000	2484	80 x 60	3800

FINIAL OPTIONS

- Option of plastic dome caps

*Finial 'L' only available for panels 2m high and below

POST OPTIONS

- Overlength set in concrete as standard
- Base plated to bolt down onto concrete

- Cranked to suit wall mounting

FINISHES

- Hot dip galvanised to BS EN 1461 as standard
- Hot dip galvanised and powder coated to BS EN 13438
- Marine coat for installations within 500m of salt water or an estuary

STANDARD COLOURS

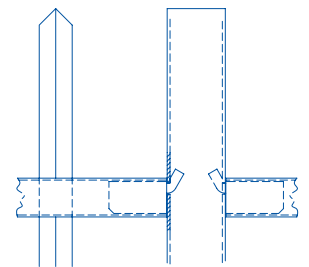
- Black RAL 9005
- Green RAL 6005
- Other colours are available on request

BARBICAN EXTRA®



Barbican Extra® security panels are identical to standard Barbican® panels, but with an important difference: the additional pales through the top rail that ensure even the smallest hand or foot cannot gain purchase, making it virtually impossible to climb or scale.

- Posts can be customised for Barbed wire / Razor wire / Rota Spike®
- Vertical pale spacing conforms to building regulations for anti-trap
- Unique vandal-proof panel to post connectors
- Panels can be manufactured to accommodate sloping ground
- Anti-climb design
- 25-year service life guarantee



Post to panel fixings

APPLICATIONS

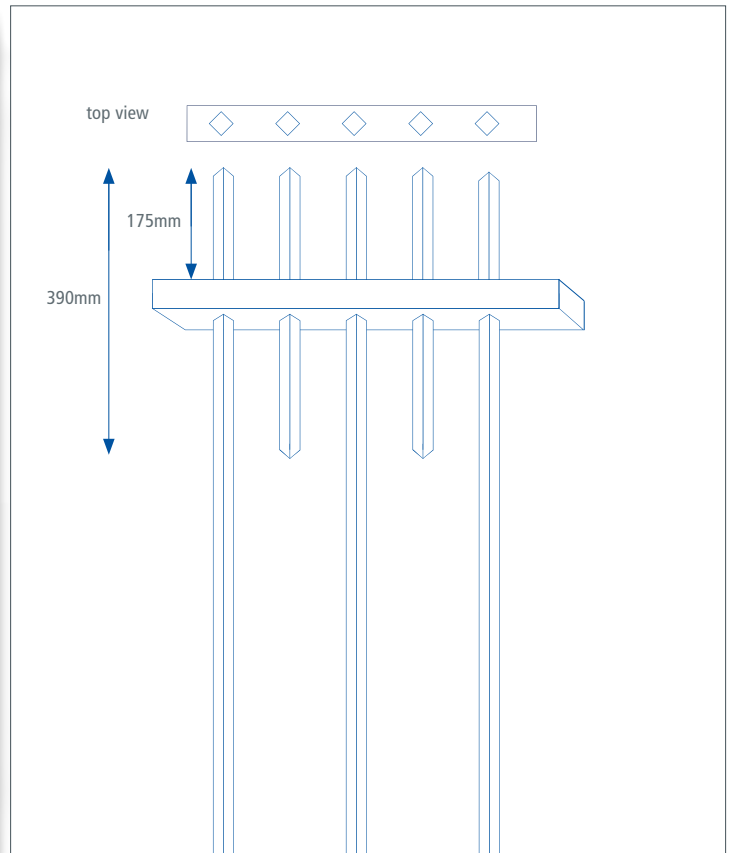
- ▶ Perimeters
- ▶ Company premises
- ▶ Commercial premises

PANELS

Barbican Extra® panels are up to 3000mm high and have two horizontal hollow sections rails 60 x 40mm (3 rails if 3000mm high). Vertical rectangular hollow section 25 x 25mm pales are passed through the rails with standard spacing at 129mm centres, with additional pales through top rail and between each full pale.

GATES

Matching single leaf and double leaf gates available



HEIGHT (mm)	POST CENTRES (mm)	POST DIMENSIONS (mm)	OVERALL POST LENGTH (mm)
2250	2484	80 x 60	3050
2500	2484	80 x 60	3300
3000	2484	80 x 60	3800

POST OPTIONS

- Overlength set in concrete as standard
- Base plated to bolt down onto concrete
- Cranked to suit wall mounting

FINISHES

- Hot dip galvanised to BS EN 1461 as standard
- Hot dip galvanised and powder coated to BS EN 13438
- Marine coat for installations within 500m of salt water or an estuary

STANDARD COLOURS

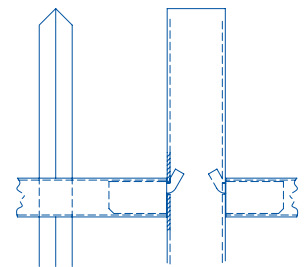
- Black RAL 9005
- Green RAL 6005
- Other colours are available on request

BARBICAN® BARBED TOP



Barbican® Barbed Top panels are up to 3000mm high and have two horizontal hollow section rails 60 x 40mm (3 rails on 3000mm high). A 10mm round point bar is added to each pale downward pointing.

- Posts can be customised for Barbed wire / Razor wire / Rota Spike®
- Vertical pale spacing conforms to building regulations for anti-trap
- Unique vandal-proof panel to post connectors
- Panels can be manufactured to accommodate sloping ground
- Anti-climb design
- 25-year service life guarantee



Post to panel fixings

APPLICATIONS

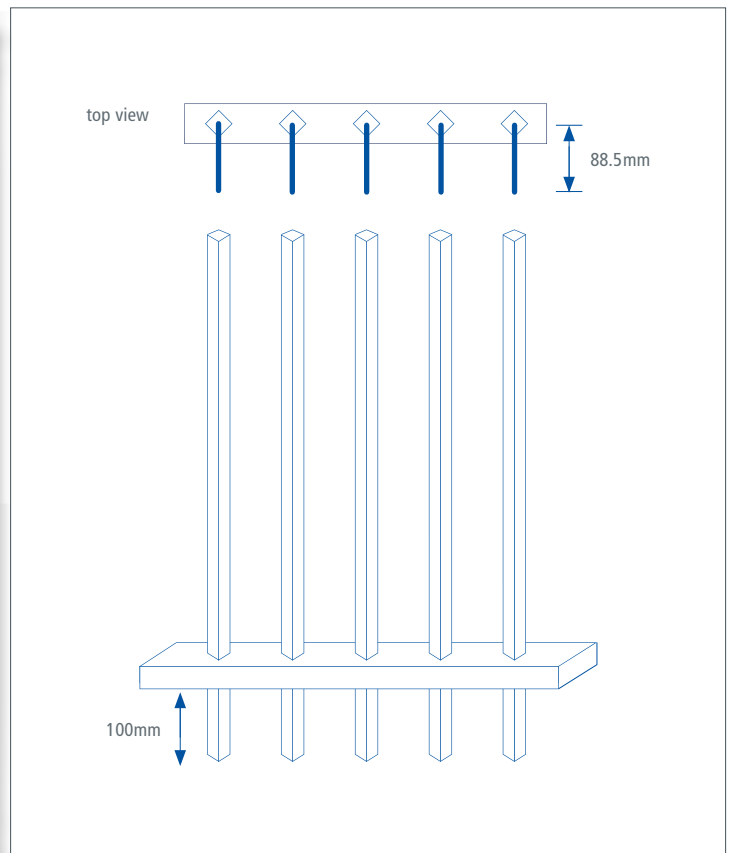
- ▶ Perimeters
- ▶ Commercial premises
- ▶ Medium risk - high risk

PANELS

Barbican® Barbed Top panels are up to 3000mm high and have two horizontal hollow sections rails 60 x 40mm (3 rails if 3000mm high). Vertical rectangular hollow section 25 x 25mm pales are passed through the rails with standard spacing at 129mm centres, which has a 10mm round pointed bar added to each pale.

GATES

Matching single leaf and double leaf gates available



HEIGHT (mm)	POST CENTRES (mm)	POST DIMENSIONS (mm)	OVERALL POST LENGTH (mm)
2250	3000	80 x 60	3050
2500	3000	80 x 60	3300
2750	2484	80 x 60	3550
3000	2484	80 x 60	3800

POST OPTIONS

- Overlength set in concrete as standard
- Base plated to bolt down onto concrete
- Cranked to suit wall mounting

FINISHES

- Hot dip galvanised to BS EN 1461 as standard
- Hot dip galvanised and powder coated to BS EN 13438
- Marine coat for installations within 500m of salt water or an estuary

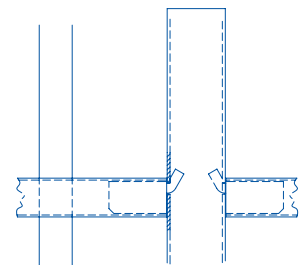
STANDARD COLOURS

- Black RAL 9005
- Green RAL 6005
- Other colours are available on request



The Sentry® range of fencing and gates features a welded semi pale-through-rail construction to combine style with performance and is equally appropriate for contemporary or more traditional settings. Like our Barbican® system, all Sentry® fencing and gate panels incorporate concealed fixings for strength and security.

- Vertical pale spacing conforms to building regulations for anti-trap
- Unique vandal-proof panel to post connectors
- Panels can be manufactured to accommodate sloping ground
- Posts can be customised for Barbed wire / Razor wire / Rota Spike® / Alarm-aFence®
- Panels can be topped with Viper Spike® / Cobra Spike®
- Anti-climb design
- **25-year service life guarantee**



Post to panel fixings

APPLICATIONS

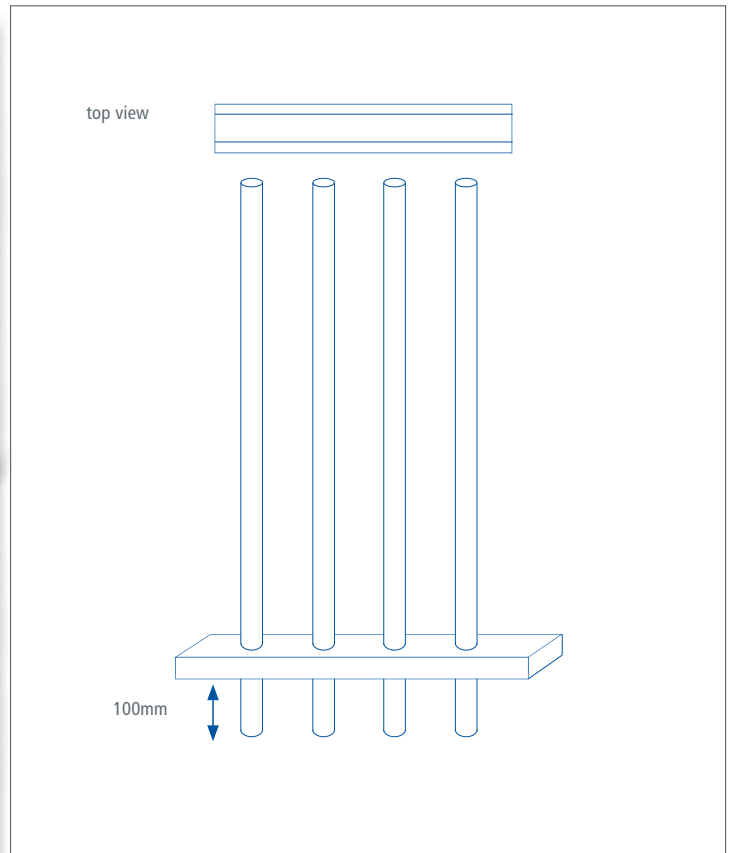
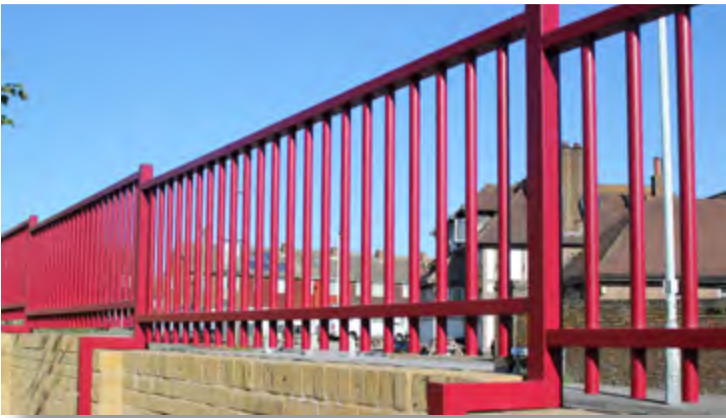
- ▶ Perimeters
- ▶ Medium - High risk
- ▶ Commercial premises

PANELS

Sentry® panels are up to 3000mm high and have two horizontal rectangular hollow section rails 60 x 40mm (3 rails if 3000mm high); Vertical round hollow section 32mm pales are passed through the rails with standard spacing at 129mm centres. Panels from 1500mm high have a security comb (double row of sharp steel points 23 x 2mm thick).

GATES

Matching single leaf and double leaf gates available



HEIGHT (mm)	POST CENTRES (mm)	POST DIMENSIONS (mm)	OVERALL POST LENGTH (mm)
1000	3000	60 x 60	1600
1250	3000	60 x 60	1850
1500	3000	60 x 60	2100
1800	3000	60 x 60	2500
2000	3000	60 x 60	2800
2500	3000	80 x 60	3300
2900	2484	80 x 60	3700
3000	2484	80 x 60	3800

POST OPTIONS

- Overlength set in concrete as standard
- Base plated to bolt down onto concrete
- Cranked to suit wall mounting

FINISHES

- Hot dip galvanised to BS EN 1461 as standard
- Hot dip galvanised and powder coated to BS EN 13438
- Marine coat for installations within 500m of salt water or an estuary

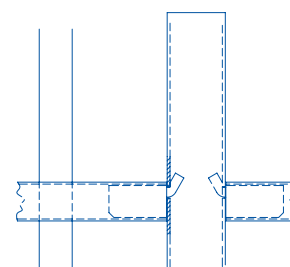
STANDARD COLOURS

- Black RAL 9005
- Green RAL 6005
- Other colours are available on request



Tri-Guard® is an innovative range of fencing and gates featuring pales with curved tops, set in clusters of three, joined by feature steel discs to create a decorative appearance with anti-climb and anti-scale performance.

- Posts can be customised for Barbed wire / Razor wire / Rota Spike®
- Pales cut at 45° and curved outwards for anti-climb
- Vertical pale spacing conforms to building regulations for anti-trap
- Unique vandal-proof panel to post connectors
- Panels can be manufactured to accommodate sloping ground
- Anti-climb design
- 25-year service life guarantee



Post to panel fixings

APPLICATIONS

- ▶ Public buildings
- ▶ Medium - High risk
- ▶ Schools

PANELS

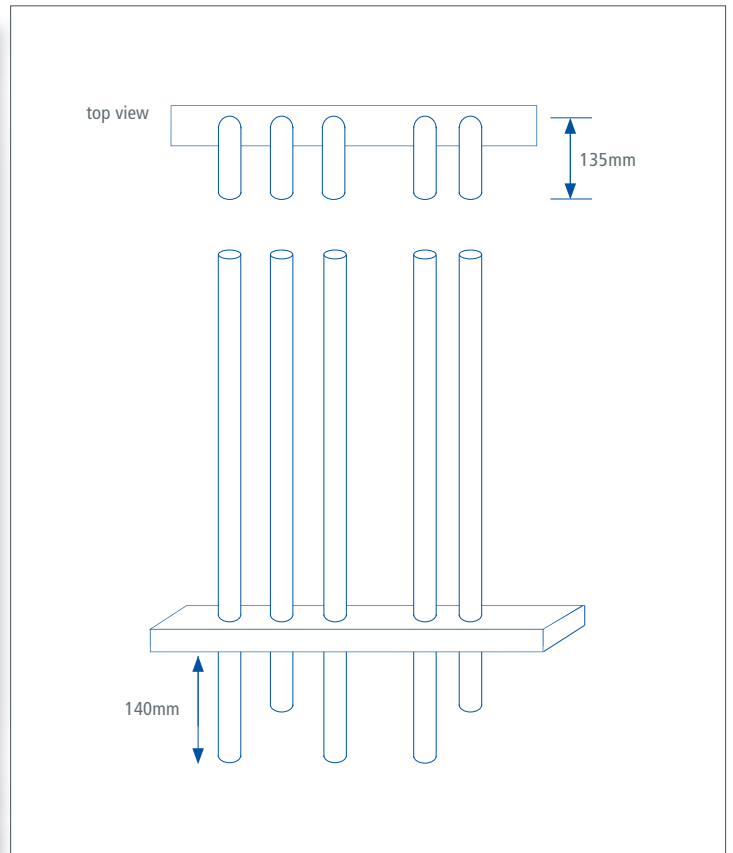
Tri-Guard® panels have three horizontal rectangular hollow section rails 50 x 25mm.

The vertical round hollow section 19mm pales are grouped in threes with the top curved over. Metal discs are welded between the pales, one row for 2200mm high and two rows for 2500mm high

and have a maximum of 100mm spacing (complies with British standard).

GATES

Matching single leaf and double leaf gates available



HEIGHT (mm)	POST CENTRES (mm)	POST DIMENSIONS (mm)	OVERALL POST LENGTH (mm)
2200	3010	80 x 60	3000
2500	3010	80 x 60	3000

POST OPTIONS

- Overlength set in concrete as standard
- Base plated to bolt down onto concrete
- Cranked to suit wall mounting

FINISHES

- Hot dip galvanised to BS EN 1461 as standard
- Hot dip galvanised and powder coated to BS EN 13438
- Marine coat for installations within 500m of salt water or an estuary

STANDARD COLOURS

- Black RAL 9005
- Green RAL 6005
- Other colours are available on request

GRP FENCING - VERTICAL BAR



We offer Barbican Imperial® and Sentry® as GRP fencing with non-conductive properties, making it a highly effective alternative to traditional steel fencing when used around railways and electrical enclosures or locations that need to be transparent to radio wave frequencies.

Glass Reinforced Plastic is a non-conductive property made from a polyester resin, it is a very popular composite material due to its strength.

- Barbican Imperial® or Sentry® style available
- Manufactured from non-conductive materials
- Radio Frequency (FR) and Electromagnetic transparency
- UV resistant
- 31mm diameter x 4mm GRP pales
- Heights available: 1000 / 1200 / 1500 / 1800 / 2000 / 2400 / 3000mm
- Matching gates available - priced upon request
- Palisade style available upon request

FINISHES

- ▶ Grey RAL 7001 as standard
- ▶ Other colours available on request

APPLICATIONS

- Perimeter fencing
- Track side fencing
- Electrical / Chemical enclosures
- Gas enclosures
- Hazardous environments

GRP FENCING - MESH



We offer GRP mesh fencing with non-conductive properties, making it a highly effective alternative to traditional steel fencing when used around areas such as railways and electrical enclosures or locations that need to be transparent to radio wave frequencies.

GRP mesh fencing has small apertures making it ideal for securing enclosures that may be at high risk to vandalism. It provides a strong visual statement as well as fulfilling many practical functions including ventilation or as a protective barrier. Glass Reinforced Plastic is a non-conductive property made from a polyester resin, it is a very popular composite material due to its strength.

- Radio Frequencies (FR) and Electromagnetic transparency
- UV resistant
- Anti climb design
- 20mm x 20mm / 40 x 40mm / 50 x 50mm square mesh
- Manufactured from non-conductive materials
- Heights available: 1000 / 1200 / 1500 / 1800 / 2000 / 2400 / 3000mm
- Matching gates available - priced on request

FINISHES

- ▶ Grey RAL 7001 as standard
- ▶ Other colours available on request

APPLICATIONS

- Perimeter fencing
- Track side fencing
- Electrical / Chemical enclosures
- Gas enclosures
- Hazardous environments