

Surehinge **ANTI-BARRICADE PIVOT SYSTEM**

+

Sureclose **CONCEALED DOOR CLOSER**

Factory fit Instructions V1.2



SAFEHINGE[®]

t: +44 (0) 141 244 0085

e: info@safehinge.com

w: www.safehinge.com

Use of Factory fit Instructions

These guidelines are for use only by parties expressly and directly authorised by Safehinge Limited or its authorised distributors to (a) evaluate the doorset for potential use and/or manufacture and/or (b) manufacture and maintain the doorset. No other use or disclosure of the guidelines is permitted.

Copyright and Patent

No part of this publication may be reproduced or edited in any form or by any means whether electronic, mechanical, photocopying, recording or otherwise, without Safehinge Limited's prior written permission. This document and all other documentation supplied by or on behalf of Safehinge Ltd are also copyright Safehinge Ltd – all rights are reserved.

The Safehinge doorset is protected by intellectual property rights and is patent protected.

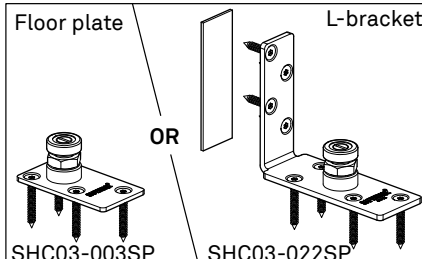
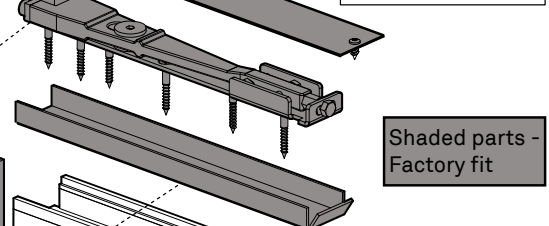
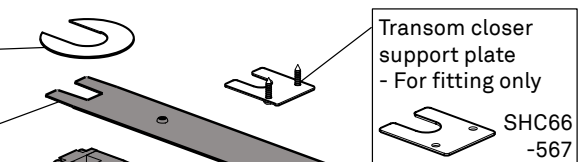
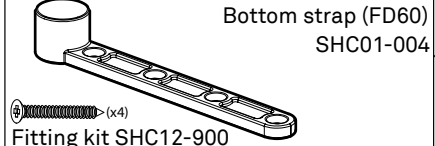
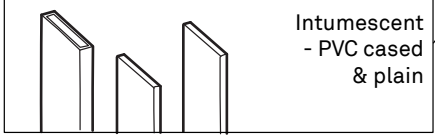
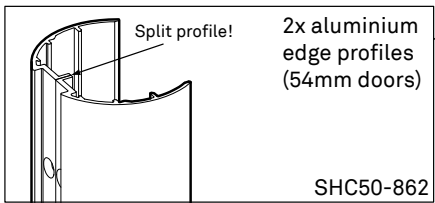
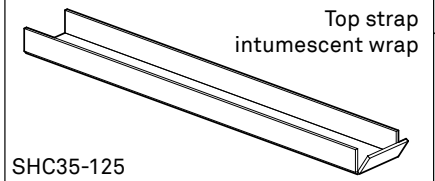
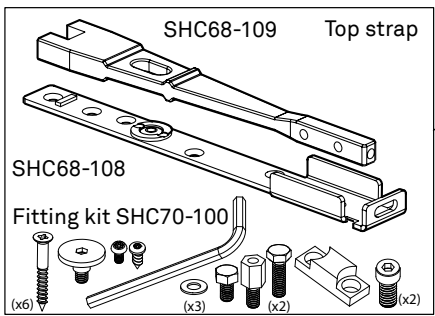
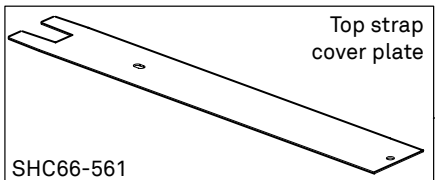
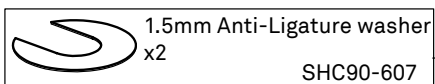
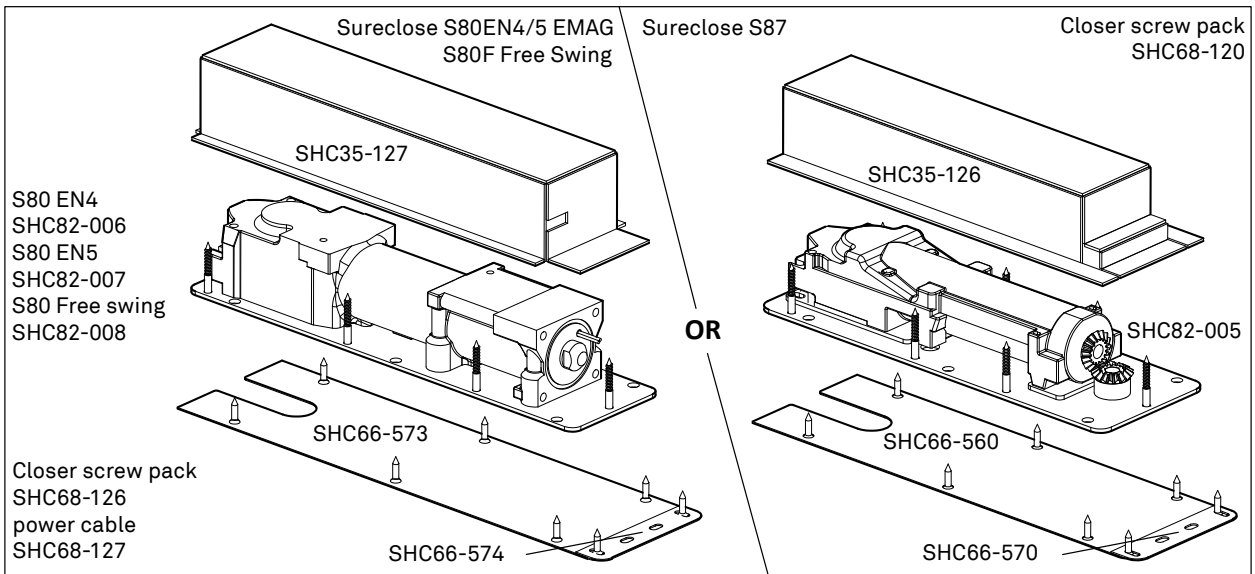
Disclaimer

Other than death or personal injury caused by negligence and other liabilities which may not be excluded or limited by law, Safehinge Ltd excludes any and all liability for (a) failure to follow the guidelines or other technical documentation in any manner; and/or (b) defective or inaccurate manufacture, installation and/or maintenance of the doorset and/or any of its components.

Copyright © 2017
Safehinge Limited

What's in the Surehinge and Sureclose kit?

If you require replacement parts, please request the 'Symphony Spares Price List'



Surehinge + Sureclose : Factory fit instructions

Check List

The points below are critical to accurate installation and product performance. Any deviation from these instructions could impact fire and mechanical performance. If in doubt, please contact Safehinge for technical advice.

How the product leaves the factory

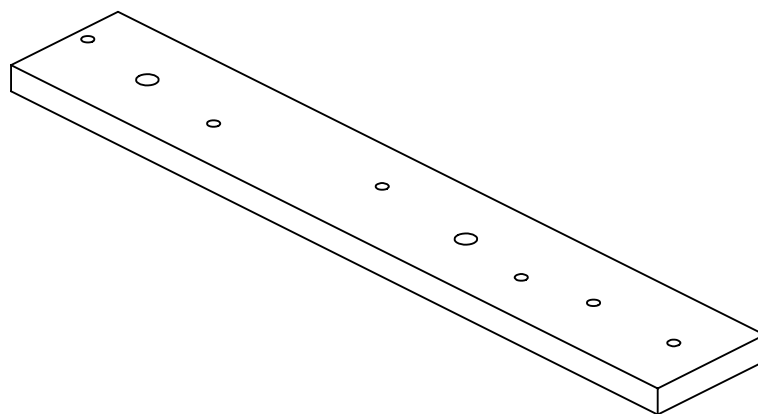
1. Doors recommended to be supplied from manufacturer with top strap, bottom strap and aluminium profiles pre-fitted - see exploded diagram for component identification.
2. Safehinge supply intumescent that is in direct contact with Safehinge components. All other frame and door intumescent to be supplied by door manufacturer.

Tools required

- Drill
- 2, 3 and 3.5mm Pilot hole drill bits
- 10mm spanner
- 5mm allen key (supplied)
- pozi no.2 and no.3 driver bits
- Security drive pin torx bits - TX10 & TX20 - Complete set advised as drive size can vary
- Metal/aluminium specific chop saw

Jigs required

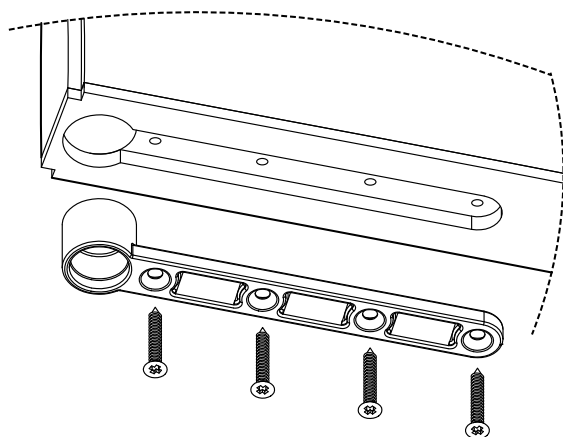
SHC66-571 Top strap pilot hole drilling jig
(Please request from Safehinge if unable to CNC pilot holes for top strap)



Key points

- All doorsets must be manufactured in accordance with Technical and Manufacturing Guidelines available to download at www.safehinge.com/technical/mental-health/symphony-doorsets.
- The door manufacturer is only required to use the 'Factory fit' kits supplied by Safehinge.
- All 'Site fit' kits must be forwarded to site alongside the doorsets - Label door numbers where possible.
- Use correct pilot hole drills as indicated in this document.
- Use fixings supplied by Safehinge (DO NOT substitute).
- Check the bottom strap pivot point is 20mm from the edge of the leaf (See page 5).
- Check the top strap pivot point is correct. The spindle notch must be 27mm from the edge of the leaf (See page 6).
- Check that all intumescent for FD30/60 performance is pre fitted or included with each doorset.

Step 1 - Bottom strap

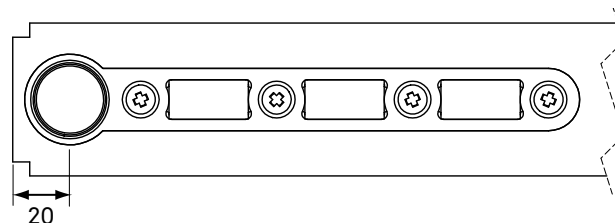


Drill \varnothing 3.5mm pilot holes

Fit using supplied
4x no.12 x 1 3/4" pozi drive screws
(Do not substitute)

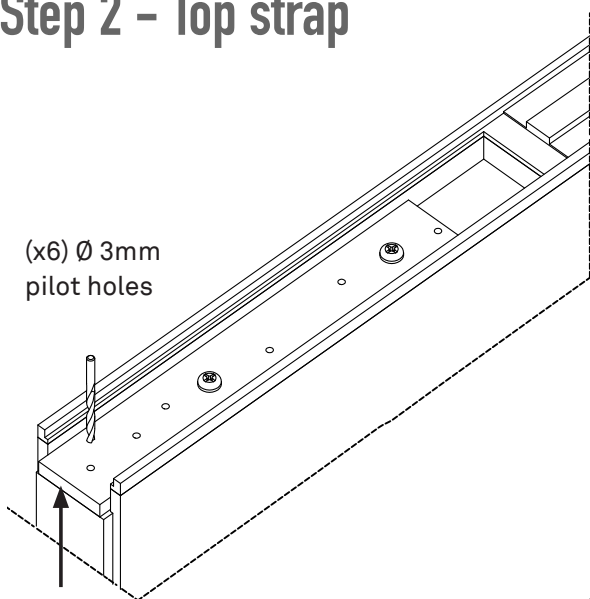


PZ3



Step 2 - Top strap

(x6) \varnothing 3mm
pilot holes

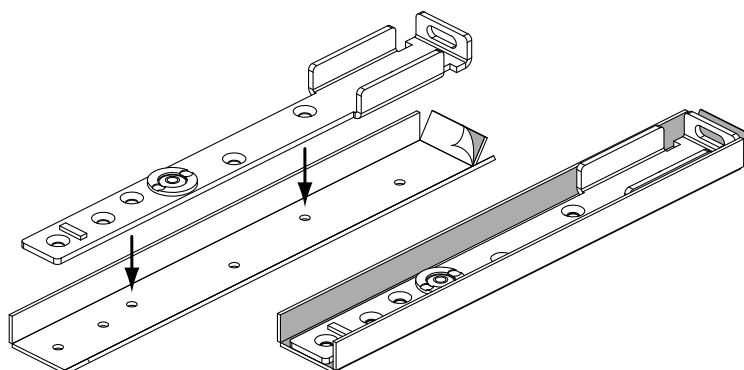


FLUSH

FIXED POSITION CRITICAL

If unable to CNC machine top strap pilot holes (refer to technical manual) - use drilling jig available to order from Safehinge. The jig **MUST** be flush with the hanging edge and locked in position before drilling.

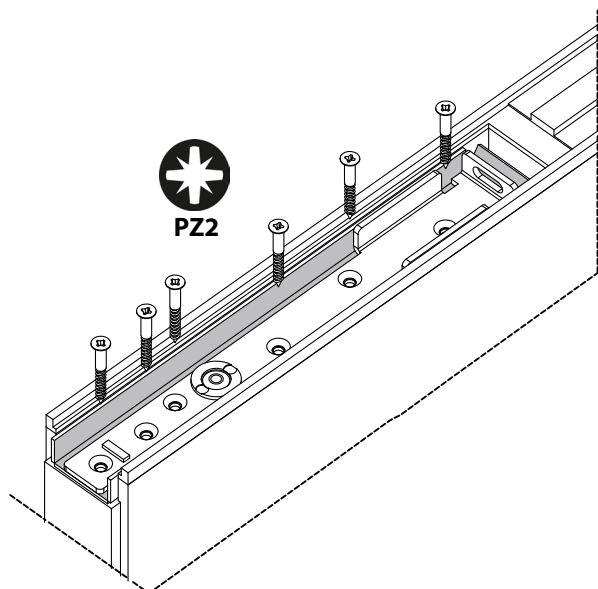
Remove yellow backing paper and stick top strap to intumescent wrap.



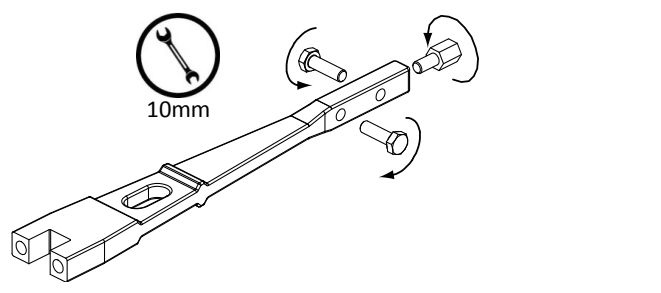
Fit to door head mortise using 6x no.10 x 1 1/2" pozi drive wood screws



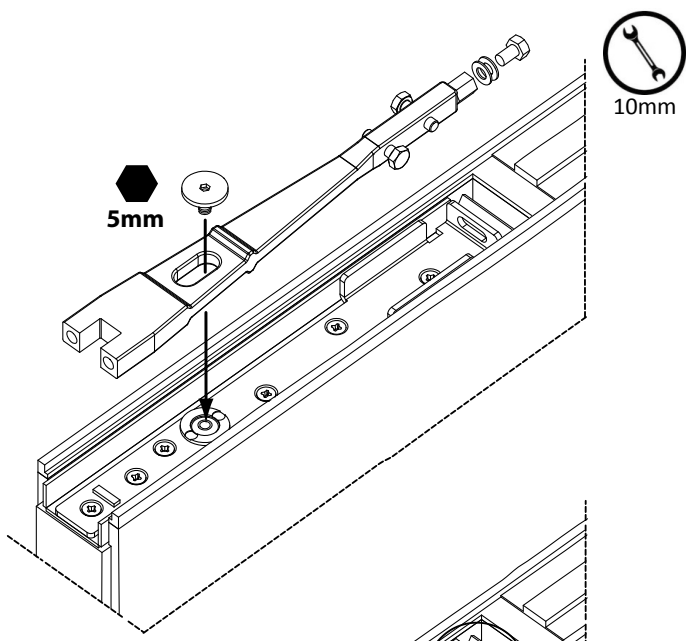
PZ2



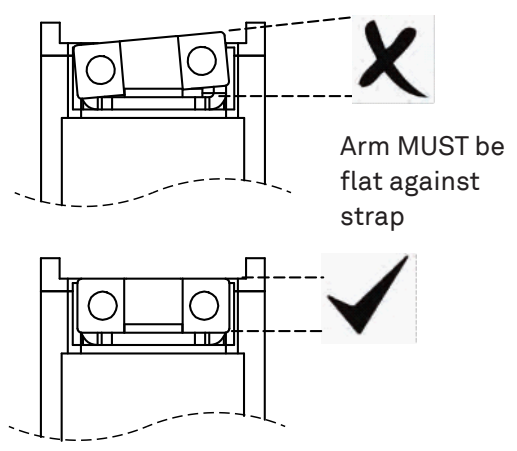
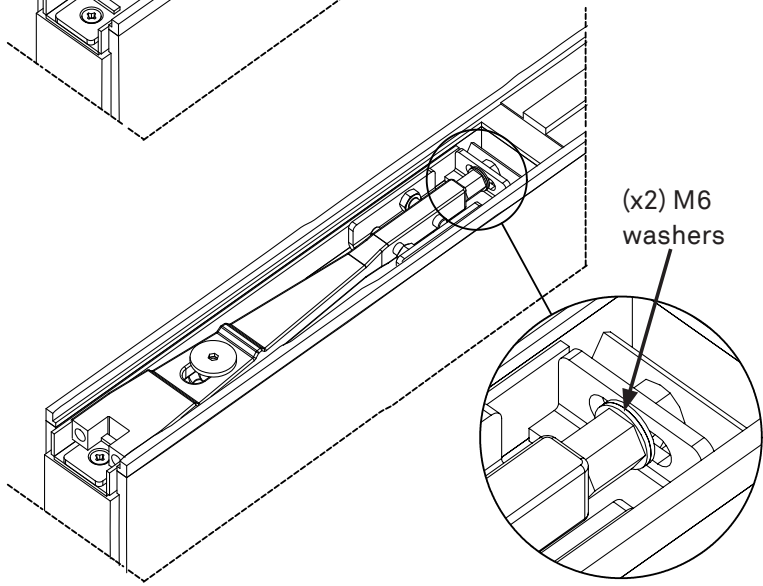
Step 3 - Top arm & setting fixed pivot point



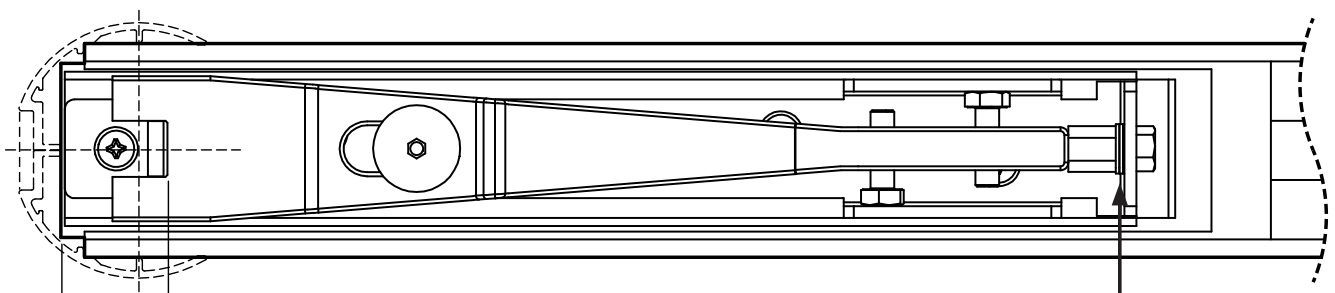
Fit M6x20 hex machine screws (x2)
Fit and tighten Hexagonal spacer



Load arm onto strap - secure with round 5mm hex drive fastener. Insert (x2) M6 washers between arm and strap before locking in place with M6 x10 machine screw.



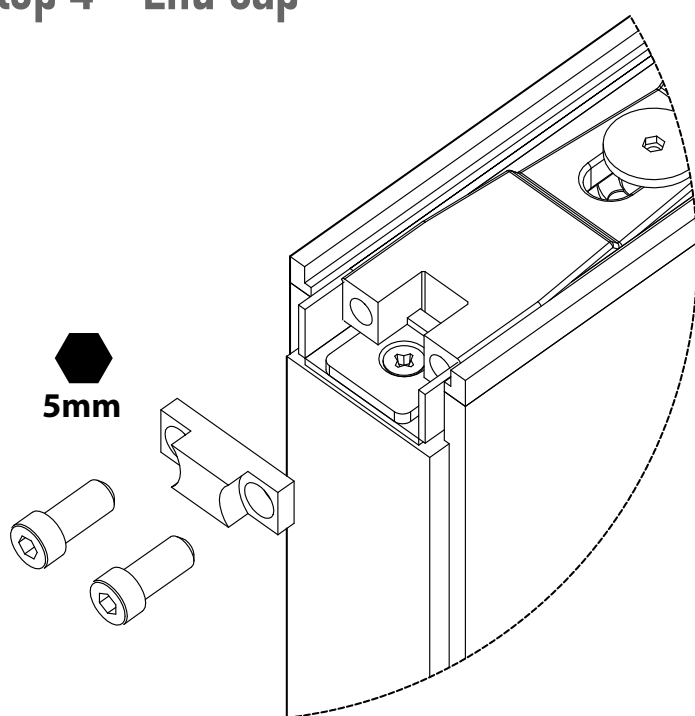
Arm **MUST** be flat against strap



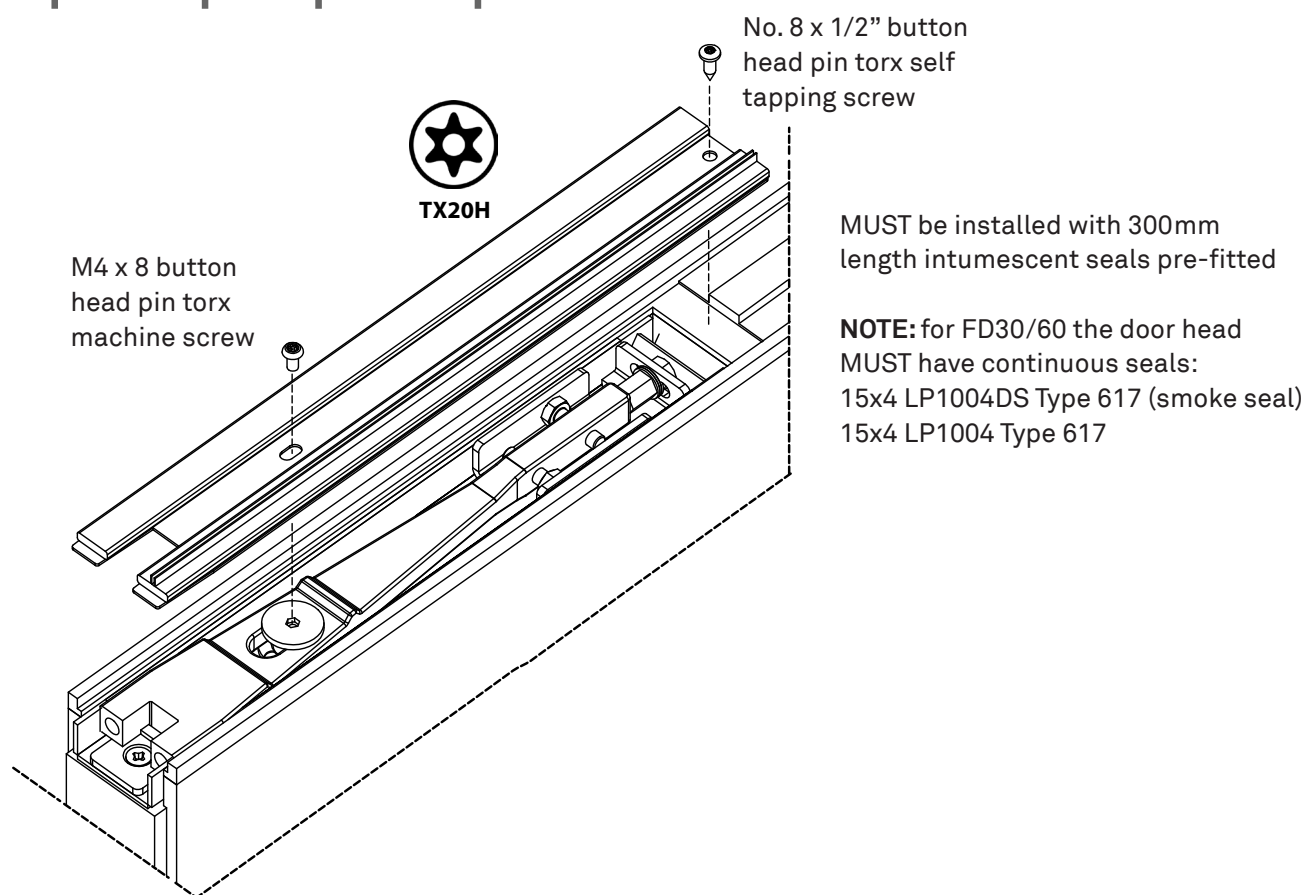
Pivot point **MUST** be concentric with Aluminum profile. Therefore, the spindle notch **MUST** measure 27mm from door edge.

Can be adjusted + / - 1mm by removing or adding an M6 washer.

Step 4 - End cap



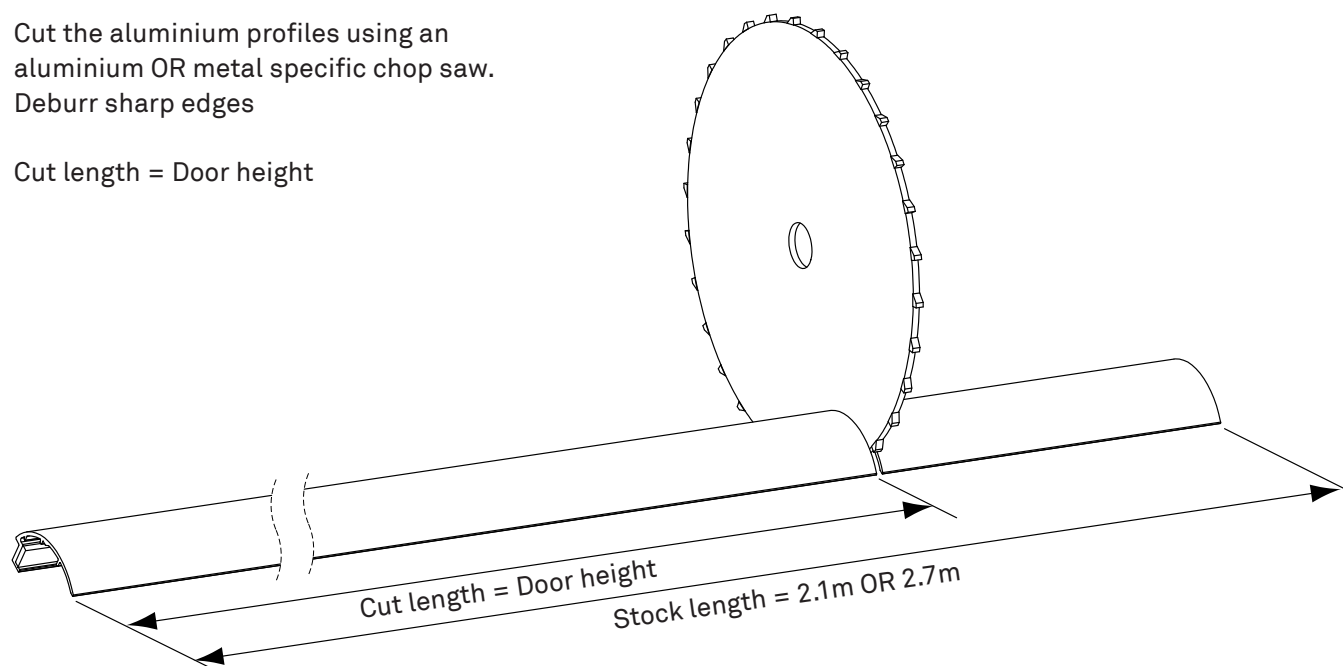
Step 5 - Top strap cover plate



Step 6 - Cutting aluminium profiles

Cut the aluminium profiles using an aluminium OR metal specific chop saw.
Deburr sharp edges

Cut length = Door height



Step 7 - Fitting profiles

Align profile with door top/bottom

Drill \varnothing 2mm pilot holes

Fit using supplied
x12 No.6 x 1 1/4" csk pin torx self
tapping screw

OR

x12 equivalent pozi drive screws that
will be replaced on site

