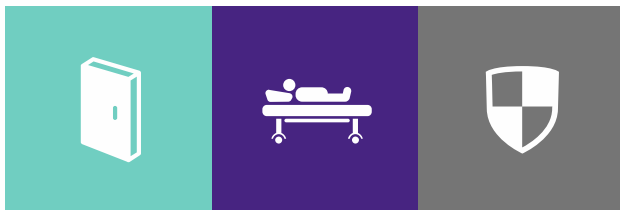


Product:
Double Swing Hinge



Product Reference Codes: **HDS-01-AA-SS Double Swing Hinge with Smoke Seal**
IDC-01-AA INC ARMKIT Concealed Floor Mounted Closer and Arm Kit



Doors

People

Places

Page 1 of 5

Version 1

Ref DS15.02.0118

Tel: 01302 364666
sales@intastop.com
www.intastop.com

Intastop Ltd Holly Street,
Kelham Ind. Est., Doncaster, DN1 3TR

Product

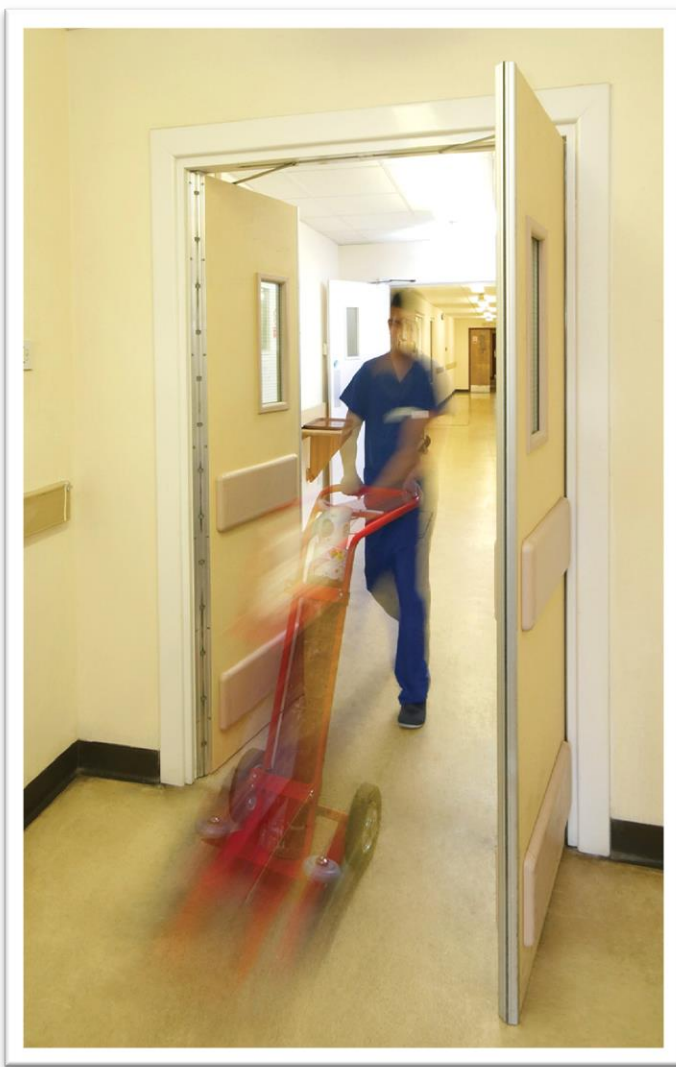
Double Swing Hinge

Product Reference Codes

HDS-01-AA-SS, IDC-01-AA INC ARMKIT

Product Description

This solution is ideal for doors that need to 90° in both directions (180°) and eliminates the possibility of pivot doors splitting on impact. It provides an ideal solution for busy corridor doors which are exposed to impact damage.



Product Specification

DOUBLE SWING/ACTING DOOR HINGES GENERALLY:

- ❖ Manufacturer: Intastop Ltd, Holly Street, Kelham St Ind Est, Doncaster, DN1 3TR, T: 01302 364666, E: sales@intastop.com, www.intastop.com
- ❖ Hinge Ref: HDS-01-AA-SS Double Swing Hinge with Smoke Seal – 44mm Door **Severe Duty**. IDC-01-AA-ARMKIT Concealed Floor Mounted Door Closer including Arm Kit. IDC-01-AA-INVERSE Concealed Frame Mounted Door Closer
- ❖ Hinge Length: 2100 or 2400mm. Closer suitable for leaf widths up to 1100mm
- ❖ Double Acting; Single or Double Door Configuration
- ❖ Fire performance: FD30 to European Standards EN1634-1 2000 to 30 minutes or NFR non-fire rated doors
- ❖ Performance Rating: BS EN 1935 equivalent
- ❖ Category of use Grade 4 severe duty
- ❖ 0.5mm wire test to DHF TS 001:2013 B4
- ❖ Door Weight 160kg Grade 6 for severed duty DD171
- ❖ Hinge Grade overall 13
- ❖ Closing force of Closer 3-6
- ❖ Acoustic performance: Automatic Door Bottom available as optional extra
- ❖ Colour: Satin Anodised Aluminium (SAA)
- ❖ Accessories: HDS-01-PACKER Sapele Packer for Double Swing Hinge on Doors greater than 44mm
- ❖ Fixing: as per manufacturers recommendations.
- ❖ UK Patent GB 2451 276A

Testing

- ❖ Fire tested to European Standard EN1634-1 2000 for 30 minutes
- ❖ Performance Tested to European Standard BS EN:1935
- ❖ Tested to DHF TS 001:2013 B4 (0.5mm wire test)



Doors



People



Places

Page 2 of 5

Version 1

Ref DS15.02.0118

Tel: 01302 364666

sales@intastop.com

www.intastop.com

Intastop Ltd Holly Street,
Kelham Ind. Est., Doncaster, DN1 3TR

Product

Double Swing Hinge

Product Reference Codes

HDS-01-AA-SS, IDC-01-AA INC ARMKIT

Double Swing Hinge Benefits



Ideal for doors that need to open 180°



Gives your patients privacy



Reduces your maintenance and overall lifecycle costs

Double Swing Hinge Features



Fire Tested to European Standard EN1634-1 2000 to 30 minutes



Swings 90° in both directions

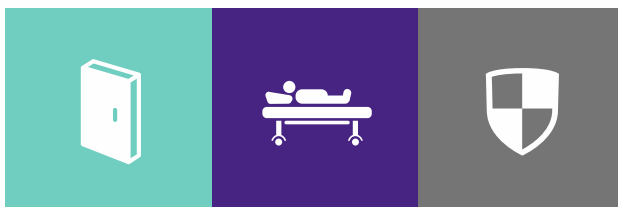


Performance tested to European Standard BS EN:1935

Maintenance / Cleaning

The Double Swing Hinge operates by a number of interlocking gears that provide high strength and smooth motion. They require minimal maintenance, by following the procedures below on a quarterly basis the product will perform effectively.

- ❖ Check the gears are free from dust/debris.
- ❖ Check the bearings are free from cracks.
- ❖ Check all fixings are present and tightened sufficiently.
- ❖ If dirty wipe down with warm soapy water.
- ❖ Check for any sharp edges caused by impact damage and file smooth if necessary.



Doors

People

Places

Page 3 of 5

Version 1

Ref DS15.02.0118

Tel: 01302 364666

sales@intastop.com

www.intastop.com

Intastop Ltd Holly Street,
Kelham Ind. Est., Doncaster, DN1 3TR

Product

Double Swing Hinge

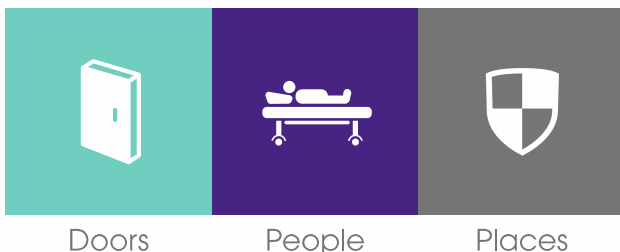
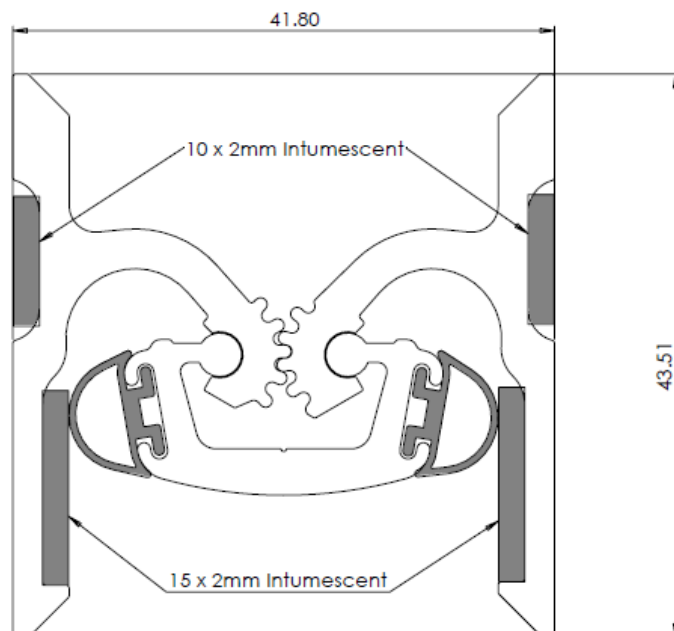
Product Reference Codes

HDS-01-AA-SS, IDC-01-AA INC ARMKIT

Order Matrix

Order Code	Product Description	Duty	Door Rating
HDS-01-AA-SS	Double Swing Hinge with Smoke Seal – 44mm Door	Severe	160kg (Grade 6)
HDS-01-PACKER	Sapele Packer for Double Swing Hinge on Doors greater than 44mm	n/a	n/a
IDC-01-AA	Concealed Floor Mounted Door Closer	n/a	n/a
IDC-01-AA-ARM	Arm Kit for Concealed Floor Mounted Closer	n/a	n/a
IDC-01-AA INC ARMKIT	Concealed Floor Mounted Door Closer & Arm Kit	n/a	n/a
IDC-01-AA-INVERSE	Concealed Frame Mounted Door Closer	n/a	n/a

Double Swing Hinge Detail



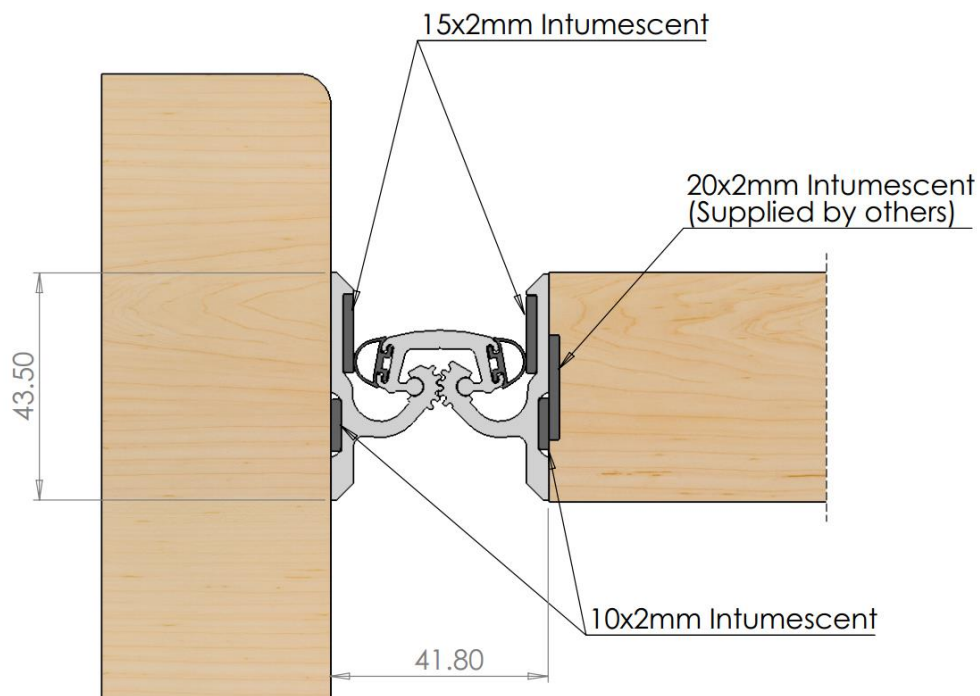
Product

Double Swing Hinge

Product Reference Codes

HDS-01-AA-SS, IDC-01-AA INC ARMKIT

Double Swing Hinge Layout



Options

For anti-barricade solutions the Double Swing Hinge works with the Removable Doorstop and Concealed Door Closer – please see separate datasheets for this solution and for Removable Doorstop options.

Disclaimer

Please note that Intastop offers a range of measures designed to minimise the risk of self-harm, and does not offer any guarantee that it will not take place. The solutions have been designed as a deterrent only.



Doors



People



Places

Page 5 of 5

Version 1

Ref DS15.02.0118

Tel: 01302 364666

sales@intastop.com

www.intastop.com

Intastop Ltd Holly Street,
Kelham Ind. Est., Doncaster, DN1 3TR