

Product:

Full Mortice Anti-Ligature SECURA™Hinge



Product Reference Codes:

- HAL-01-AA (Standard Duty)**
- HAL-02-AA (Heavy Duty)**
- HAL-03-AA (Extreme Duty)**
- HAL-04-AA (Severe Duty)**



Doors



People



Places

Page 1 of 6

Version 2

Ref DS23.02.0618

Tel: 01302 364666
sales@intastop.com
www.intastop.com

Intastop Ltd Holly Street,
Kelham Ind. Est., Doncaster, DN1 3TR

Product

Full Mortice Anti-Ligature SECURA™ Hinge

Product Reference Codes

HAL-01-AA/HAL-02-AA/HAL-03-AA/HAL-04-AA

Product Description

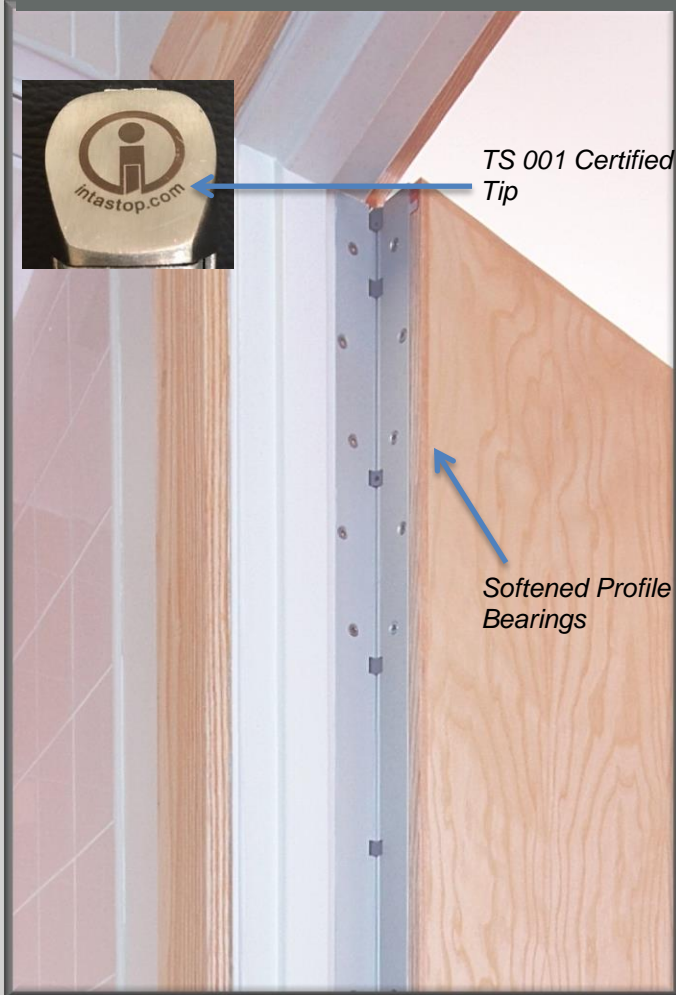
Full mortice single swing continuous geared anti-ligature SECURAHinge™ featuring anti-ligature tip designed for single acting doors.

The SECURAHinge™ can be used on new and existing doors and is designed to prolong the lifespan of the door set and reduce maintenance costs.

Product Specification

SINGLE SWING/ACTING DOOR HINGES GENERALLY:

- ❖ Manufacturer: Intastop Ltd, Holly Street, Kelham St Ind Est, Doncaster, DN1 3TR, T: 01302 364666, E: sales@intastop.com , www.intastop.com
- ❖ Hinge Anti Ligature Ref: HAL-01 SECURAHinge™ Standard Duty. HAL-02 SECURAHinge™ Heavy Duty. HAL-03 SECURAHinge™ Extreme Duty. HAL-04 SECURAHinge™ Severe Duty.
- ❖ Size of standard and heavy duty 32x32x2100 or 2400mm. Size of extreme and severe duty 43x43x2100 or 2400mm
- ❖ Single Acting; Single or Double Door Configuration
- ❖ Fire performance: FD30 BS476 Part 20&22 for 30 minute and 60 minutes or NFR non-fire rated doors
- ❖ Performance Rating: BS EN 1935 equivalent
- ❖ Category of use Grade 4 severe duty
- ❖ Durability 1,250,000 cycles Grade 9
- ❖ Door Weight 125kg Grade 6 for standard duty, 245kg Grade 8 for Heavy Duty, 245kg and Grade 8 for Extreme Duty and upto 500kg Grade 9 for severe duty
- ❖ Hinge Grade overall 13
- ❖ Colour: SAA
- ❖ Accessories: Standard Cap TS001 Grade 4. Includes figure of 8 softened hidden bearings to reduce self-harm
- ❖ Fixing: as per manufacturers recommendations.



Testing

- ❖ Fire tested to BS476: Part 20 & 22 for 30 & 60 minutes.
- ❖ Performance Tested to 1.5 million cycles; exceeds life cycle requirements of CE EN 1935-2002.
- ❖ Grade 1 Abuse Tested to highest level.
- ❖ Tested to DHF TS 001: 2013 B4 (0.5mm wire test)



Doors



People



Places

Page 2 of 6

Version 2

Ref DS23.02.0618

Tel: 01302 364666

sales@intastop.com

www.intastop.com

Intastop Ltd Holly Street,
Kelham Ind. Est., Doncaster, DN1 3TR

Product

Full Mortice Anti-Ligature SECURA™ Hinge

Product Reference Codes

HAL-01-AA/HAL-02-AA/HAL-03-AA/HAL-04-AA

SECURAHinge™ Benefits



Gives your patients privacy



Reduces your maintenance
and overall lifecycle costs

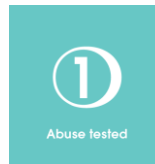


Helps reduce patient suicide
and self-harm

SECURAHinge™ Features



Fire Tested to BS476: Part
20 & 22 for 30 & 60 minutes



Achieved highest level of
abuse testing (Grade 1)



Tested to 1.5 million cycles;
exceeds life cycle
requirements of CE EN
1935:2002



Tested to DHF TS 001: 2013
B4 (0.5mm wire test)

Maintenance / Cleaning

The SECURAHinge™ operates by a number of interlocking gears that provide high strength and a smooth motion. They require minimal maintenance, by following the procedures below on a quarterly basis the product will perform effectively.

- ❖ Check the gears are free from dust/debris.
- ❖ Check the bearings are free from cracks.
- ❖ Check all fixings are present and tightened sufficiently.
- ❖ If dirty wipe down with warm soapy water.
- ❖ Check for any sharp edges caused by impact damage and file smooth if necessary.



Doors



People



Places

Page 3 of 6

Version 2

Ref DS23.02.0618

Tel: 01302 364666

sales@intastop.com

www.intastop.com

Intastop Ltd Holly Street,
Kelham Ind. Est., Doncaster, DN1 3TR

Product

Full Mortice Anti-Ligature SECURA™Hinge

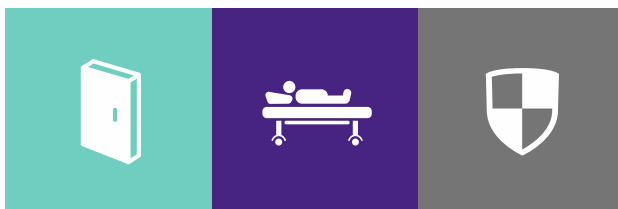
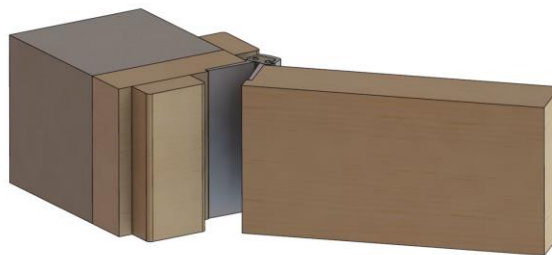
Product Reference Codes

HAL-01-AA/HAL-02-AA/HAL-03-AA/HAL-04-AA

Order Matrix

Order Code	Product Description	Leaf Width	Bearing Spacing	Door Rating	Number of Bearings	Duty	Length
HAL-01	Full Mortice Anti-Ligature SECURAHinge™	32mm	152.4mm	125kg Grade 6	12	Standard	2.1M
HAL-02	Full Mortice Anti-Ligature SECURAHinge™	32mm	76.2mm	245kg Grade 8	25	Heavy	
HAL-03	Full Mortice Anti-Ligature SECURAHinge™	43mm	76.2mm	245kg Grade 8	25	Extreme	
HAL-04	Full Mortice Anti-Ligature SECURAHinge™	43mm	38.1mm	500kg Grade 9	56	Extreme	
HAL-01	Full Mortice Anti-Ligature SECURAHinge™	32mm	152.4mm	125kg Grade 6	14	Standard	2.4M
HAL-02	Full Mortice Anti-Ligature SECURAHinge™	32mm	76.2mm	245kg Grade 8	29	Heavy	
HAL-03	Full Mortice Anti-Ligature SECURAHinge™	43mm	76.2mm	245kg Grade 8	29	Extreme	
HAL-04	Full Mortice Anti-Ligature SECURAHinge™	43mm	38.1mm	500kg Grade 9	62	Extreme	

Layout



Doors

People

Places

Page 4 of 6

Version 2

Ref DS23.02.0618

Tel: 01302 364666

sales@intastop.com

www.intastop.com

Intastop Ltd Holly Street,
Kelham Ind. Est., Doncaster, DN1 3TR

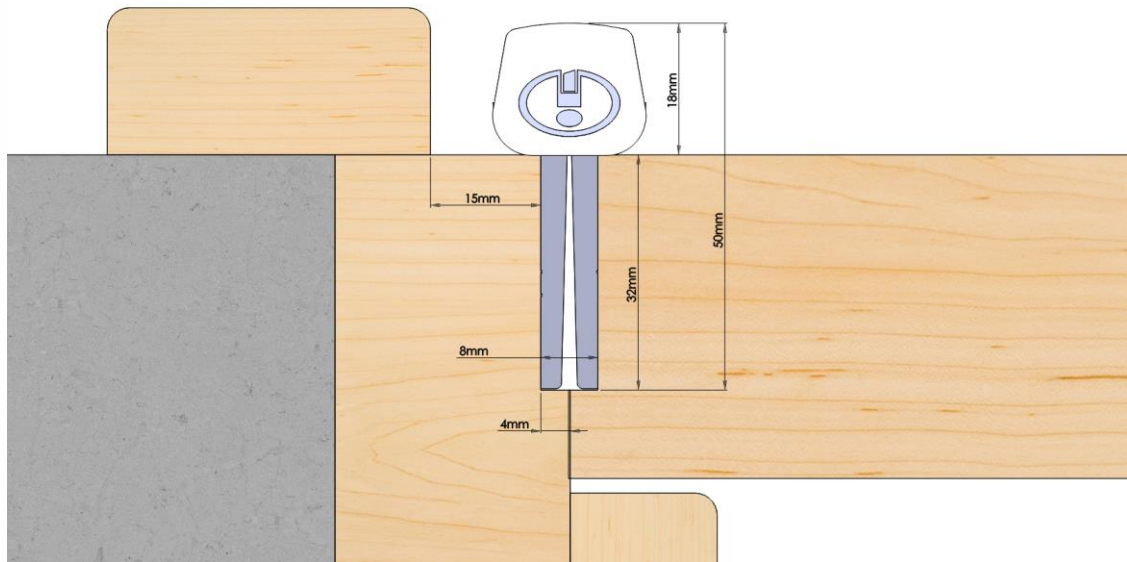
Product

Full Mortice Anti-Ligature SECURA™ Hinge

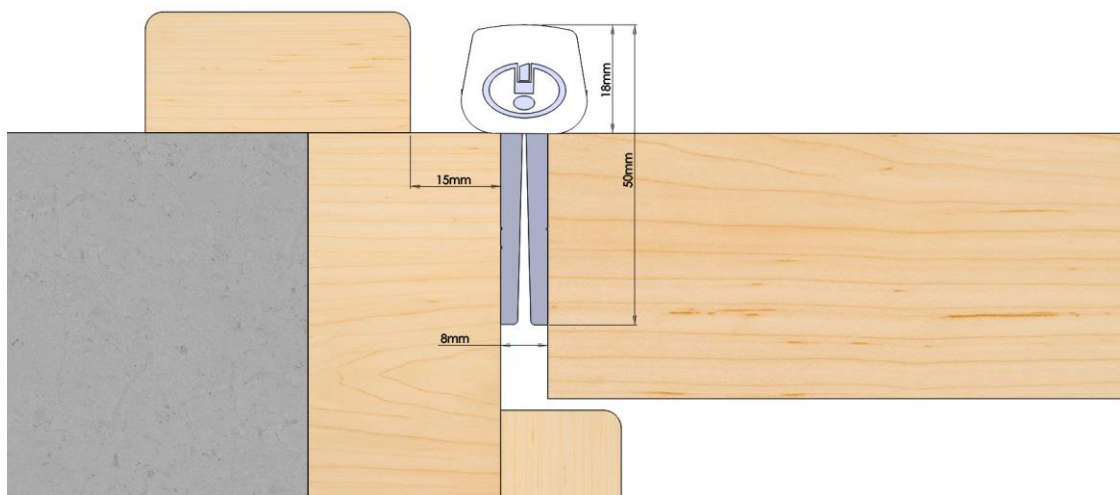
Product Reference Codes

HAL-01-AA/HAL-02-AA/HAL-03-AA/HAL-04-AA

Rebated Layout



Non Rebated Layout



Doors



People



Places

Page 5 of 6

Version 2

Ref DS23.02.0618

Tel: 01302 364666

sales@intastop.com

www.intastop.com

Intastop Ltd Holly Street,
Kelham Ind. Est., Doncaster, DN1 3TR

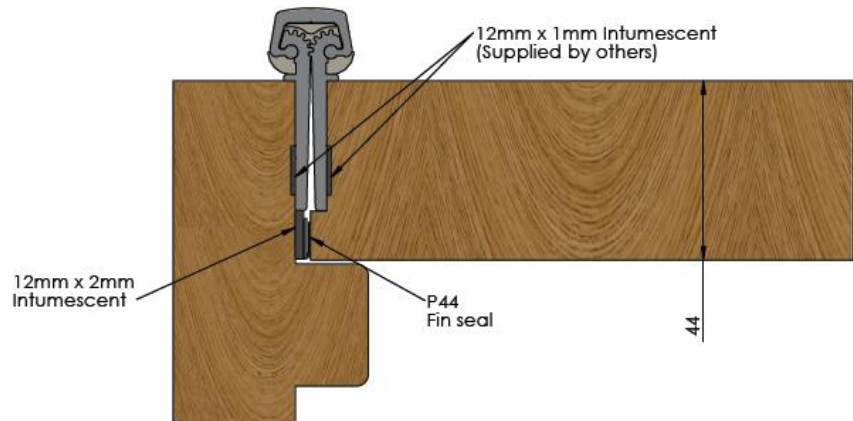
Product

Full Mortice Anti-Ligature SECURA™ Hinge

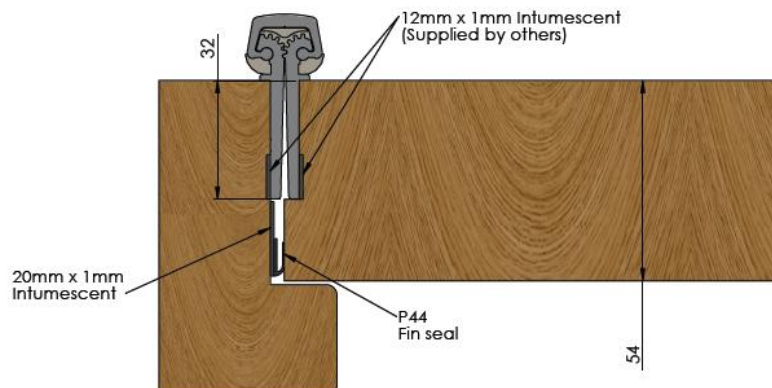
Product Reference Codes

HAL-01-AA/HAL-02-AA/HAL-03-AA/HAL-04-AA

Fire Seal Layout FD30



Fire Seal Layout FD60

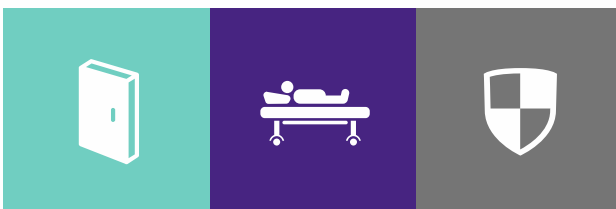


Options:

- ❖ Available in longer lengths of 2.4M lengths.
- ❖ For FD30 or FD60 applications, intumescent & smoke seal are required. A fire seal pack is available from Intastop as an optional extra.
- ❖ Powermatic Closer CNC cut out available.

Disclaimer

Please note that Intastop offers a range of measures designed to minimise the risk of self-harm, and does not offer any guarantee that it will not take place. The solutions have been designed as a deterrent only.



Doors

People

Places

Page 6 of 6

Version 2

Ref DS23.02.0618

Tel: 01302 364666
sales@intastop.com
www.intastop.com

Intastop Ltd Holly Street,
Kelham Ind. Est., Doncaster, DN1 3TR