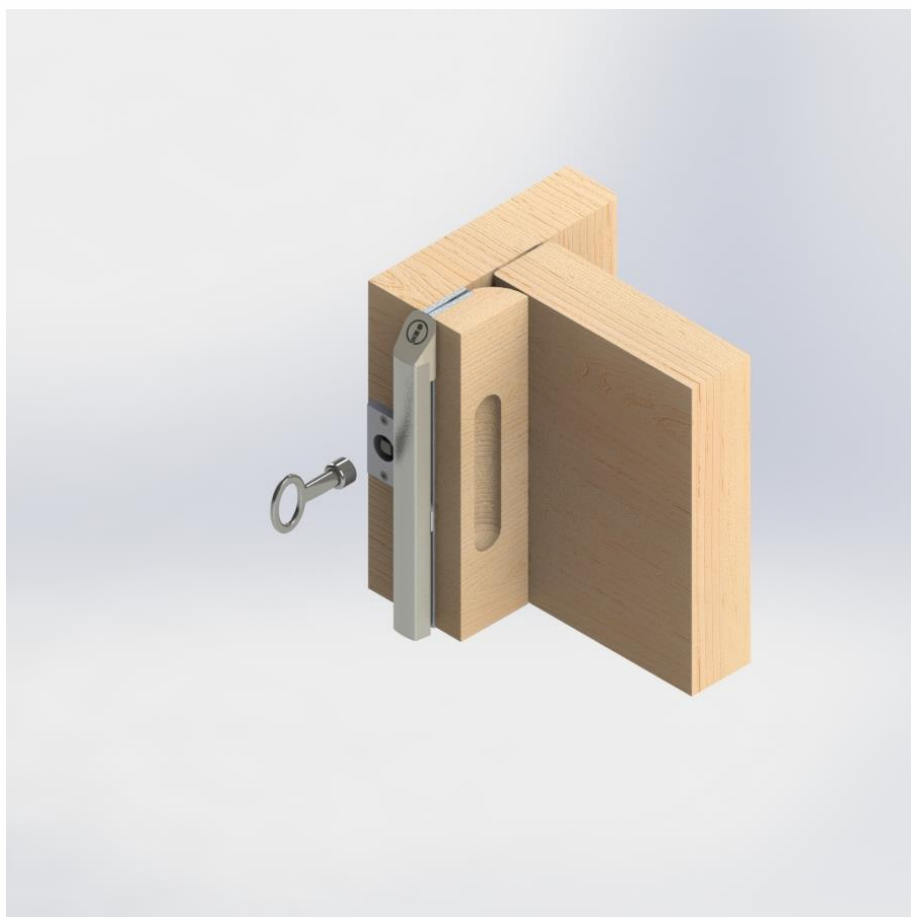
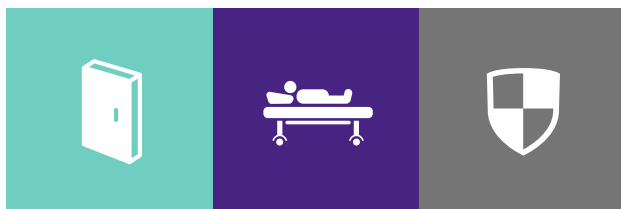


Product: Removable Doorstop Frame Mounted



Product Reference Codes:

- RDS-01-[Tulip Wood]-[Height]-[Handing]-[4mm Key]
- RDS-02-[Hardwood Timber]-[Height]-[Handing]-[4mm Key]
- RDS-04-[Aluminium]-[Height]-[Handing]-[4mm Key]
- RDS-05-[Tulip Wood]-[Height]-[Handing]-[8mm Key]
- RDS-06-[Hardwood Timber]-[Height]-[Handing]-[8mm Key]



Doors

People

Places

Page 1 of 5

Version 2

Ref DS10.02.0717

Tel: 01302 364666

sales@intastop.com

www.intastop.com

Intastop Ltd Holly Street,
Kelham Ind. Est., Doncaster, DN1 3TR

Product

Removable Doorstop Frame Mounted

Product Reference Codes

RDS-01-[Tulip Wood]-[Height]-[Handing]-[4mm Key]

RDS-02-[Hardwood]-[Height]-[Handing]-[4mm Key]

RDS-04-[Aluminium]-[Height]-[Handing]-[4mm Key]

RDS-05-[Tulip Wood]-[Height]-[Handing]-[8mm Key]

RDS-06-[Hardwood]-[Height]-[Handing]-[8mm Key]

Product Description

Full length, fire rated, frame mounted doorstop ideal for bedroom and en-suite doors in mental health environments. It provides quick emergency outward opening operation of doors that normally open inwards, helping to resolve a number of problem areas including the elimination of barricade situations.



Product Specification

REMOVABLE DOOR STOP / ANTI-BARRICADE DOORSTOP GENERALLY:

- ❖ Manufacturer: Intastop Ltd, Holly Street, Kelham St Ind Est, Doncaster, DN1 3TR, T: 01302 364666, E: sales@intastop.com, www.intastop.com
- ❖ Removable Doorstop Ref:
 - RDS-01-[Tulip Wood]-[Height]-[Handing]-[4mm Key]
 - RDS-02-[Hardwood]-[Height]-[Handing]-[4mm Key]
 - RDS-04-[Aluminium]-[Height]-[Handing]-[4mm Key]
 - RDS-05-[Tulip Wood]-[Height]-[Handing]-[8mm Key]
 - RDS-06-[Hardwood]-[Height]-[Handing]-[8mm Key]
- ❖ Size: 50x25x2100 (non-standard 2400)
- ❖ Fire Rating: FD30 BS476 Part 20&22 for 30 minutes
- ❖ Performance: BS EN 1935 equivalent (Hinge)
- ❖ Category of Use: Grade 4 Severe Duty
- ❖ Durability: 1,250,000 cycles Grade 9, Destruction Tested DD171
- ❖ Hinge Grade Overall: 13
- ❖ Acoustic Performance: Not required.
- ❖ Accessories: Standard Cap TS001 Grade 4, 4mm Key
- ❖ Colour: Paint Grade Tulip Wood
- ❖ Fixing: in accordance with manufacturers installation instructions

Maintenance / Cleaning

- ❖ See manufacturers recommendations (separate document).



Doors



People



Places

Page 2 of 5

Version 1

Ref DS10.02.0717

Tel: 01302 364666

sales@intastop.com

www.intastop.com

Intastop Ltd Holly Street,
Kelham Ind. Est., Doncaster, DN1 3TR

Product

Removable Doorstop Frame Mounted

Product Reference Codes

RDS-01-[Tulip Wood]-[Height]-[Handing]-[4mm Key]
 RDS-02-[Hardwood]-[Height]-[Handing]-[4mm Key]
 RDS-04-[Aluminium]-[Height]-[Handing]-[4mm Key]
 RDS-05-[Tulip Wood]-[Height]-[Handing]-[8mm Key]
 RDS-06-[Hardwood]-[Height]-[Handing]-[8mm Key]

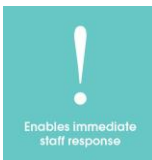
Removable Doorstop Benefits



Easy access in the event of a barricade

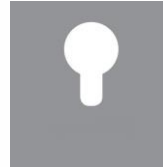


Helps reduce patient suicide



Fast/safe response in an event of a barricade

Removable Doorstop Features



Secure Dual Point Locking System



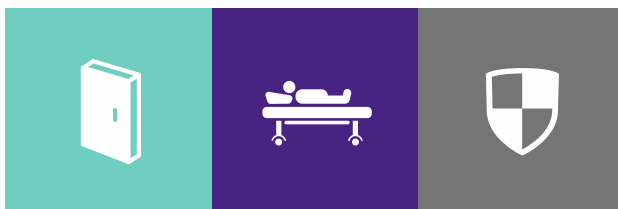
FD30 Fire Rated. Tested to European Standard EN1634-2000



Anti-Ligature Tested to DHF TS 001:2013 B4 (0.5mm wire test)

Order Matrix

| Order Code | Description | Material | Key Option | Mounting | Size (DxL) mm |
|------------|-------------------------------|-----------------|------------|----------|-------------------|
| RDS-01 | Continuous Removable Doorstop | Tulip Wood | 4mm | Frame | 50 x 2100 or 2400 |
| RDS-02 | | Hardwood Timber | | | |
| RDS-04 | | Aluminium | | | |
| RDS-05 | | Tulip Wood | 8mm | | |
| RDS-06 | | Hardwood Timber | | | |



Doors

People

Places

Page 3 of 5

Version 1

Ref DS10.02.0717

Tel: 01302 364666

sales@intastop.com

www.intastop.com

Intastop Ltd Holly Street,
Kelham Ind. Est., Doncaster, DN1 3TR

Product

Removable Doorstop Frame Mounted

Product Reference Codes

RDS-01-[Tulip Wood]-[Height]-[Handing]-[4mm Key]

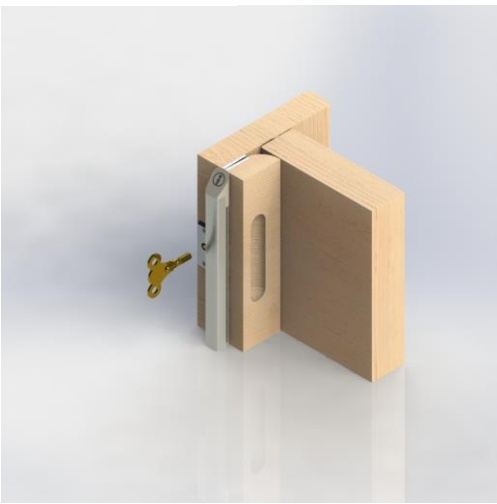
RDS-02-[Hardwood]-[Height]-[Handing]-[4mm Key]

RDS-04-[Aluminium]-[Height]-[Handing]-[4mm Key]

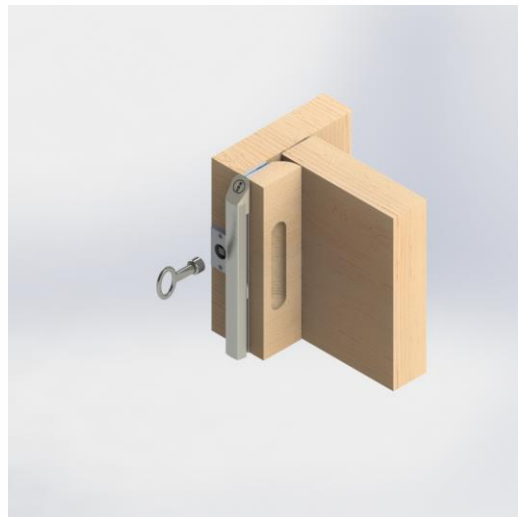
RDS-05-[Tulip Wood]-[Height]-[Handing]-[8mm Key]

RDS-06-[Hardwood]-[Height]-[Handing]-[8mm Key]

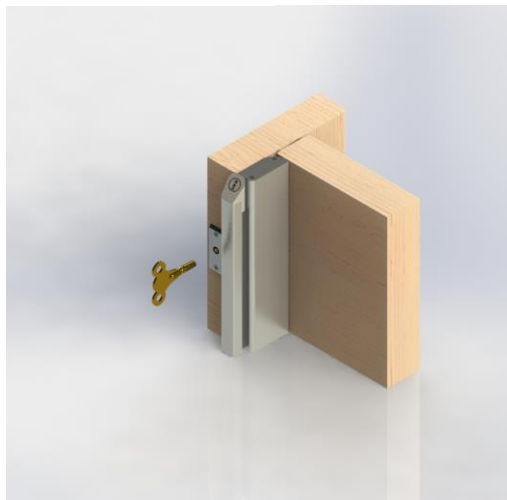
Overview



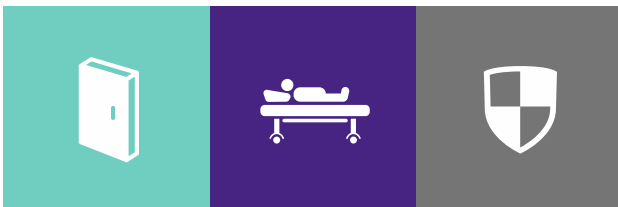
RDS-01/02-Frame Mounted-4mm Key



RDS-05/06-Frame Mounted-8mm Key



RDS-04-Aluminium-Frame Mounted-4mm Key (note - must be face fixed, hinge leaf rebated into RDS)



Doors

People

Places

Page 4 of 5

Version 1

Ref DS10.02.0717

Tel: 01302 364666

sales@intastop.com

www.intastop.com

Intastop Ltd Holly Street,
Kelham Ind. Est., Doncaster, DN1 3TR

Product

Removable Doorstop Frame Mounted

Product Reference Codes

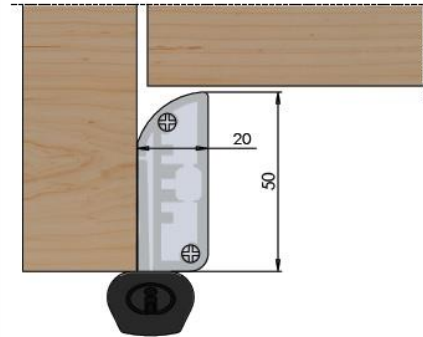
RDS-01-[Tulip Wood]-[Height]-[Handing]-[4mm Key]

RDS-02-[Hardwood]-[Height]-[Handing]-[4mm Key]

RDS-04-[Aluminium]-[Height]-[Handing]-[4mm Key]

RDS-05-[Tulip Wood]-[Height]-[Handing]-[8mm Key]

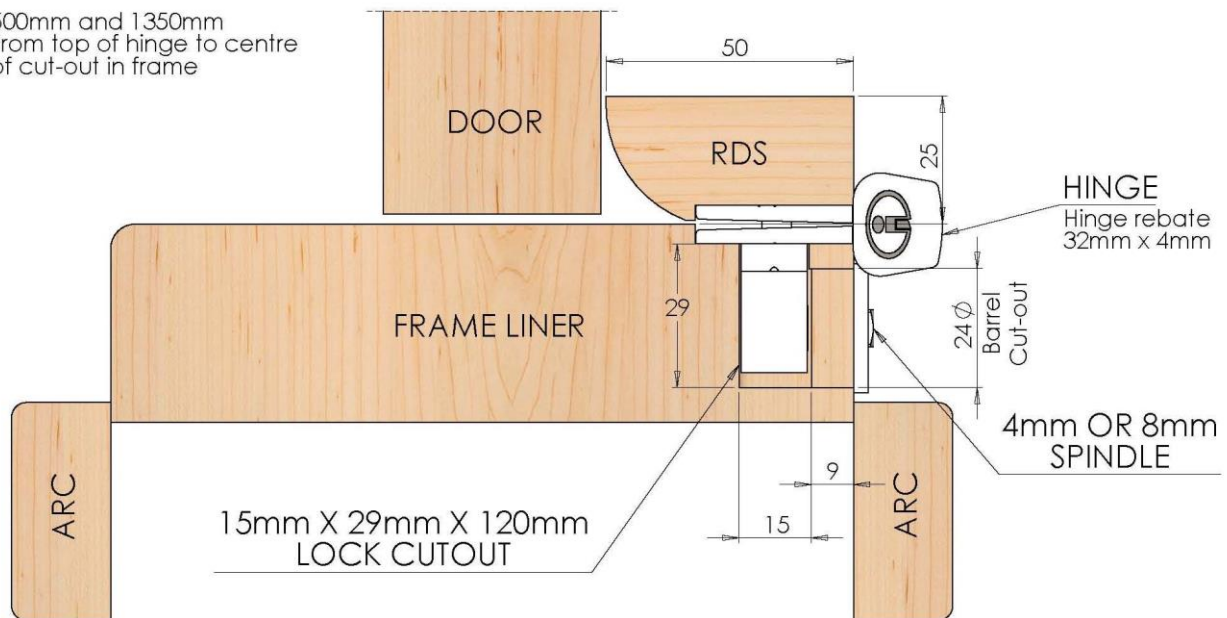
RDS-06-[Hardwood]-[Height]-[Handing]-[8mm Key]



Layout

RDS-04-Aluminium Layout (must be face fixed, hinge leaf rebated into removable doorstop)

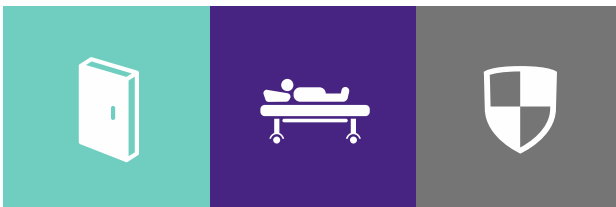
500mm and 1350mm
From top of hinge to centre
of cut-out in frame



RDS-01/02/05/06-Tulip/Hardwood Layout

Disclaimer

Please note that Intastop offers a range of measures designed to minimise the risk of self-harm, and does not offer any guarantee that it will not take place. The solutions have been designed as a deterrent only.



Doors

People

Places

Page 5 of 5

Version 1

Ref DS10.02.0717

Tel: 01302 364666

sales@intastop.com

www.intastop.com

Intastop Ltd Holly Street,
Kelham Ind. Est., Doncaster, DN1 3TR