

Product:
Door Top Alarm Solution



Product Reference Codes: DTA-AA
HFM-EM-DTA-[Handing]-[Width]
HDS-01-EM



Doors



People



Places

Page 1 of 10

Version 3

Ref DS13.03.1117

Tel: 01302 364666
sales@intastop.com
www.intastop.com

Intastop Ltd Holly Street,
Kelham Ind. Est., Doncaster, DN1 3TR

Product

Door Top Alarm Solution

Product Reference Codes

DTA-AA Door Top Alarm, HFM-EM-DTA-[Handing]-[Width] Full Mortice Electrical Transfer Hinge, HDS-01-EM Double Swing Electrical Transfer Hinge

Product Description

This tamper proof system detects when weight is applied to the top of the door and has a variable alarmed delay setting. The Door Top Alarm connects via mains power and is compatible with most staff attack systems. Power transfer to the door goes via Intastop's Electrical Transfer Hinge which ensures all cabling and electronics are concealed.

Product Specification

DOOR TOP ALARM SOLUTION GENERALLY:

- ❖ Manufacturer: Intastop Ltd, Holly Street, Kelham St Ind Est, Doncaster, DN1 3TR, T: 01302 364666, E: sales@intastop.com , www.intastop.com
- ❖ Door Top Alarm Ref: DTA-AA Door Top Alarm.
- ❖ Electrical Transfer Hinge Ref: HFM-EM-DTA-[Width]-[Handing], Full Mortice Electrical Transfer Hinge c/w smoke seal – 4 wire; **Standard, Heavy or Extreme Duty**. HDS-01-EM Double Swing Electrical Transfer Hinge c/w smoke seal – 4 wire; **Severe Duty**.
- ❖ Size: Door Top Alarm: 44mm or 54mm width x up to 950mm length. Electrical Transfer Hinge: to suit up to 44mm or 54mm door x 200mm section and 2100mm or 2400mm length. Double Swing Electrical Transfer Hinge: to suit 44mm door x 200mm section and 2100mm or 2400mm length.
- ❖ Single or Double Acting; Single or Double Door Config.
- ❖ Fire performance: FD30 BS476 Part 20&22 for 30 minutes.
- ❖ Performance Rating: Electrical Transfer Hinge tested to 1.25 million cycles. Transfer wire tested to 3 million cycles. Double Swing Electrical Transfer Hinge tested to European Standard EN1935.
- ❖ Door Core : Solid or Style & Rail core (exposed lipping not recommended)
- ❖ Door Weight for Electrical Transfer Hinge 125kg Grade 6 for standard duty, 245kg Grade 8 for Heavy Duty and up to 500kg Grade 9 for extreme duty. Double Swing Electrical Transfer Hinge for doors up to 160kg.
- ❖ Hinge Grade overall 13
- ❖ Colour: SAA
- ❖ Accessories: Anti-Ligature Aluminium Domed Cap. Standard duty includes 14, Heavy Duty includes 28, Severe Duty includes 56 no figure of 8 softened hidden bearings to reduce self-harm.
- ❖ Fixing: as per manufacturers recommendations.



nbs
BIM



Doors



People



Places

Page 2 of 10

Version 3

Ref DS13.03.1117

Tel: 01302 364666

sales@intastop.com

www.intastop.com

Intastop Ltd Holly Street,
Kelham Ind. Est., Doncaster, DN1 3TR

Product

Door Top Alarm Solution

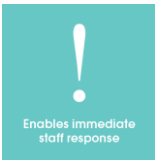
Product Reference Codes

DTA-AA Door Top Alarm, HFM-EM-DTA-[Handing]-[Width] Full Mortice Electrical Transfer Hinge, HDS-01-EM Double Swing Electrical Transfer Hinge

Door Top Alarm Solution Benefits



Improves safety of patients



Enables immediate staff response

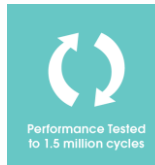


Tamper proof preventing false alarms

Door Top Alarm Solution



Fire Tested to BS476: Part 20 & 22 for 30 minutes



Tested to 1.5 million cycles; exceeds life cycle requirements of CE EN 1935:2002



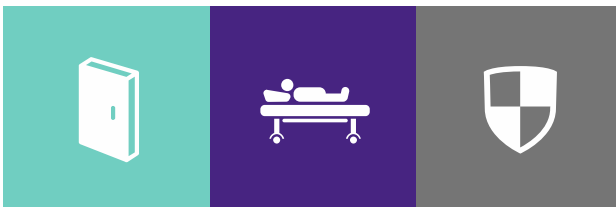
Transfer wire tested to 3 million cycles

Testing

- ❖ Fire tested to BS476: Part 20 & 22 for 30 minutes.
- ❖ Transfer wire tested to 3 million cycles.
- ❖ Electrical Transfer Hinge performance tested to 1.25 million cycles.
- ❖ Electrical Transfer Double Swing Hinge tested to Severe Duty Rating DD171 and performance tested to European Standard EN1935.

Options:

- ❖ A commissioning and planned preventative maintenance programme is offered as an additional service.
- ❖ Installation training is available to ensure correct fitting as an additional service.



Doors

People

Places

Page 3 of 10

Version 3

Ref DS13.03.1117

Tel: 01302 364666

sales@intastop.com

www.intastop.com

Intastop Ltd Holly Street,
Kelham Ind. Est., Doncaster, DN1 3TR

Product

Door Top Alarm Solution

Product Reference Codes

DTA-AA Door Top Alarm, HFM-EM-DTA-[Handing]-[Width] Full Mortice Electrical Transfer Hinge, HDS-01-EM Double Swing Electrical Transfer Hinge

Maintenance / Cleaning

The Electrical Transfer Hinge operates by a number of interlocking gears that provide high strength and a smooth motion. They require minimal maintenance, by following the procedures below on a quarterly basis the product will perform effectively.

- ❖ Check the gears are free from dust/debris.
- ❖ Check the bearings are free from cracks.
- ❖ Check all fixings are present and tightened sufficiently.
- ❖ If dirty wipe down with warm soapy water.
- ❖ Check for any sharp edges caused by impact damage and file smooth if necessary.

Order Matrix

Order Code	Product Description	To Suit Door Width (mm)	Action	Duty	Length (mm)
DTA-AA	Door Top Alarm	44 or 54	Single or Double Swing	n/a	Up to 950
HFM-EM-DTA-[Handing]-[Width]	Full Mortice Electrical Transfer Hinge with smoke seal – 4 wire	44 or 54	Single Swing	Standard, Heavy or Extreme	200 & 2100 or 2400
HDS-01-EM	Double Swing Electrical Transfer Hinge with smoke seal – 4 wire	44	Double Swing	Severe	200 & 2100 or 2400
HAL-DC-SAA	Anti-Ligature Aluminium Domed Cap	n/a	Single	n/a	n/a



Doors



People



Places

Page 4 of 10

Version 3

Ref DS13.03.1117

Tel: 01302 364666

sales@intastop.com

www.intastop.com

Intastop Ltd Holly Street,
Kelham Ind. Est., Doncaster, DN1 3TR

Product

Door Top Alarm Solution

Product Reference Codes

DTA-AA Door Top Alarm, HFM-EM-DTA-[Handing]-[Width] Full Mortise Electrical Transfer Hinge, HDS-01-EM Double Swing Electrical Transfer Hinge



Overview Door Top Alarm 44mm Full Mortise Electrical Transfer Hinge



Doors



People



Places

Page 5 of 10

Version 3

Ref DS13.03.1117

Tel: 01302 364666

sales@intastop.com

www.intastop.com

Intastop Ltd Holly Street,
Kelham Ind. Est., Doncaster, DN1 3TR

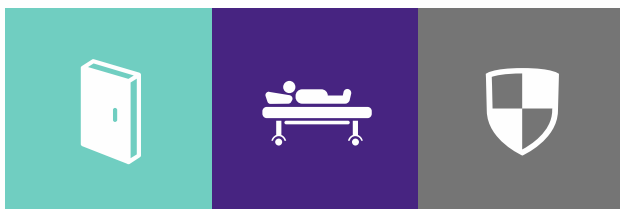
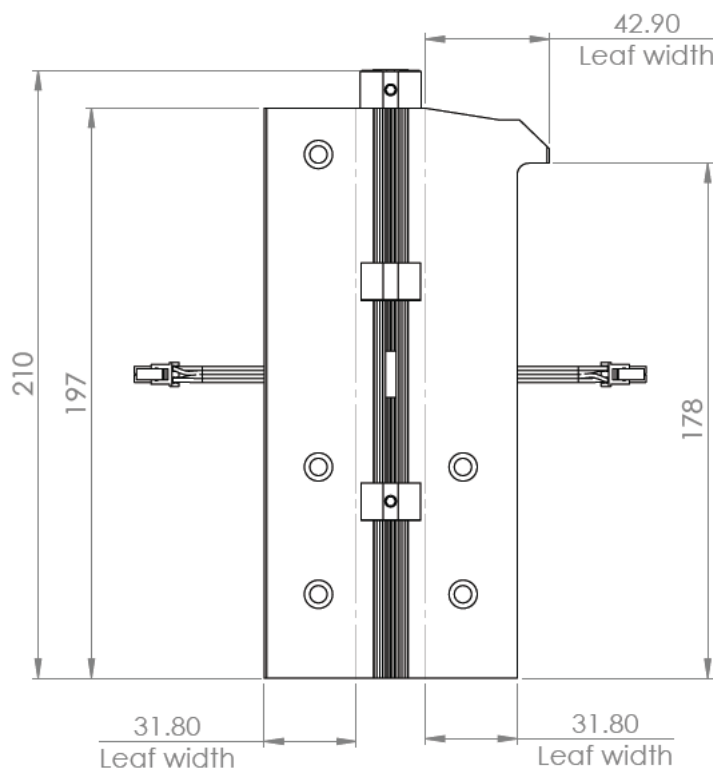
Product

Door Top Alarm Solution

Product Reference Codes

DTA-AA Door Top Alarm, HFM-EM-DTA-[Handing]-[Width] Full Mortice Electrical Transfer Hinge, HDS-01-EM Double Swing Electrical Transfer Hinge

Detail Full Mortice Electrical Transfer Hinge – to suit 44 mm Door Top Alarm put in other data sheet



Doors

People

Places

Page 6 of 10

Version 3

Ref DS13.03.1117

Tel: 01302 364666

sales@intastop.com

www.intastop.com

Intastop Ltd Holly Street,
Kelham Ind. Est., Doncaster, DN1 3TR

Product

Door Top Alarm Solution

Product Reference Codes

DTA-AA Door Top Alarm, HFM-EM-DTA-[Handing]-[Width] Full Mortise Electrical Transfer Hinge, HDS-01-EM Double Swing Electrical Transfer Hinge



Overview Door Top Alarm 54mm Full Mortise Electrical Transfer Hinge



Doors



People



Places

Page 7 of 10

Version 3

Ref DS13.03.1117

Tel: 01302 364666

sales@intastop.com

www.intastop.com

Intastop Ltd Holly Street,
Kelham Ind. Est., Doncaster, DN1 3TR

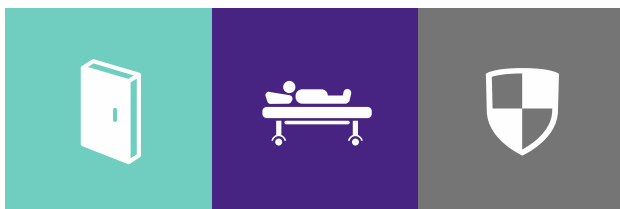
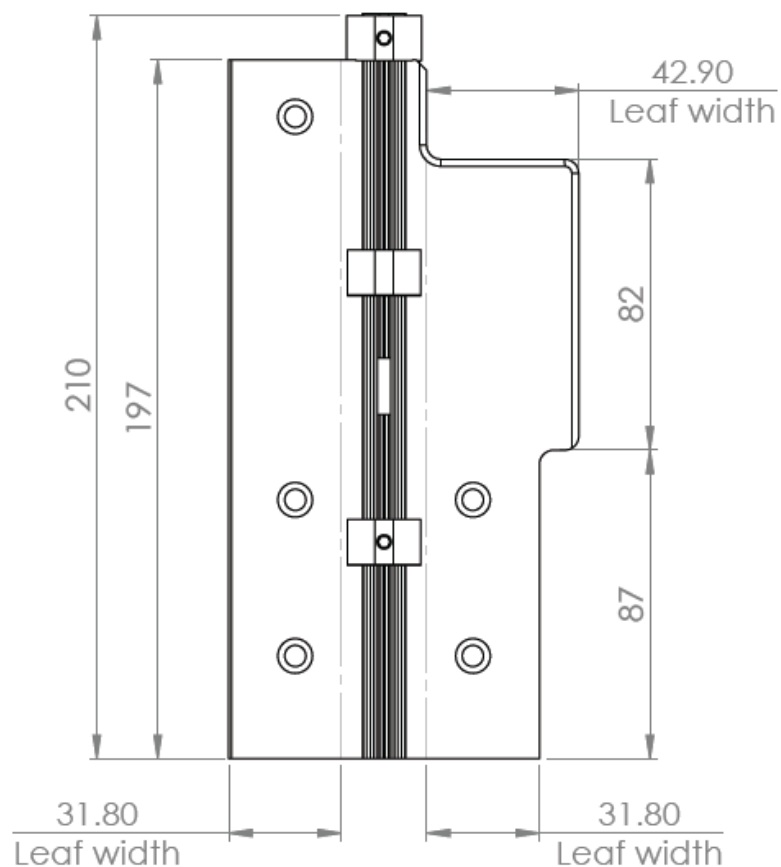
Product

Door Top Alarm Solution

Product Reference Codes

DTA-AA Door Top Alarm, HFM-EM-DTA-[Handing]-[Width] Full Mortice Electrical Transfer Hinge, HDS-01-EM Double Swing Electrical Transfer Hinge

Detail Full Mortice Electrical Transfer Hinge – to suit 54 mm Door Top Alarm put in other data sheet



Doors

People

Places

Page 8 of 10

Version 3

Ref DS13.03.1117

Tel: 01302 364666

sales@intastop.com

www.intastop.com

Intastop Ltd Holly Street,
Kelham Ind. Est., Doncaster, DN1 3TR

Product

Door Top Alarm Solution

Product Reference Codes

DTA-AA Door Top Alarm, HFM-EM-DTA-[Handing]-[Width] Full Mortise Electrical Transfer Hinge, HDS-01-EM Double Swing Electrical Transfer Hinge



Overview Door Top Alarm Double Swing Electrical Transfer Hinge



Doors



People



Places

Page 9 of 10

Version 3

Ref DS13.03.1117

Tel: 01302 364666

sales@intastop.com

www.intastop.com

Intastop Ltd Holly Street,
Kelham Ind. Est., Doncaster, DN1 3TR

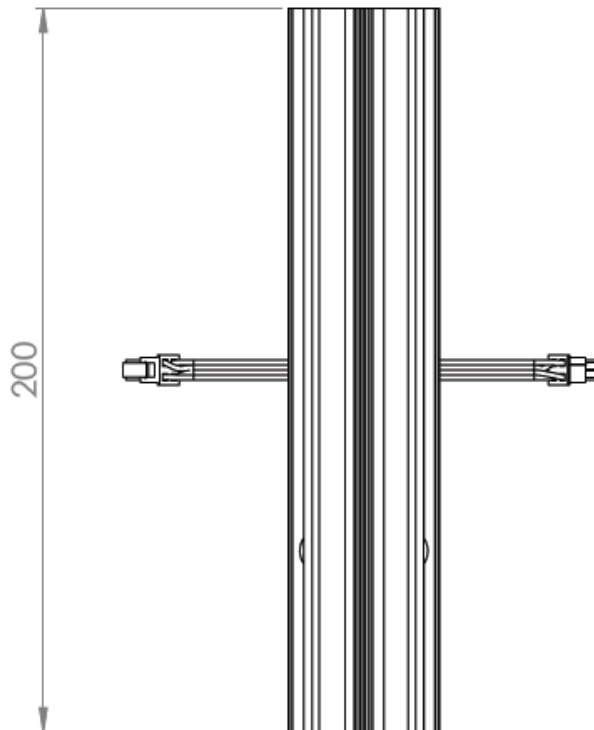
Product

Door Top Alarm Solution

Product Reference Codes

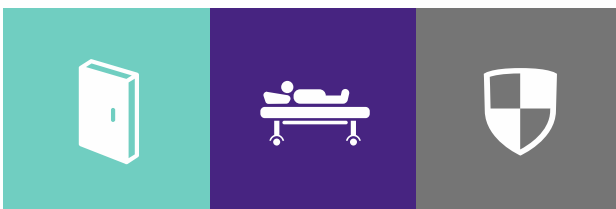
DTA-AA Door Top Alarm, HFM-EM-DTA-[Handing]-[Width] Full Mortice Electrical Transfer Hinge, HDS-01-EM Double Swing Electrical Transfer Hinge

Detail Double Swing Electrical Transfer Hinge



Disclaimer

Please note that Intastop offers a range of measures designed to minimise the risk of self-harm, and does not offer any guarantee that it will not take place. The solutions have been designed as a deterrent only.



Doors

People

Places

Page 10 of 10

Version 3

Ref DS13.03.1117

Tel: 01302 364666

sales@intastop.com

www.intastop.com

Intastop Ltd Holly Street,
Kelham Ind. Est., Doncaster, DN1 3TR