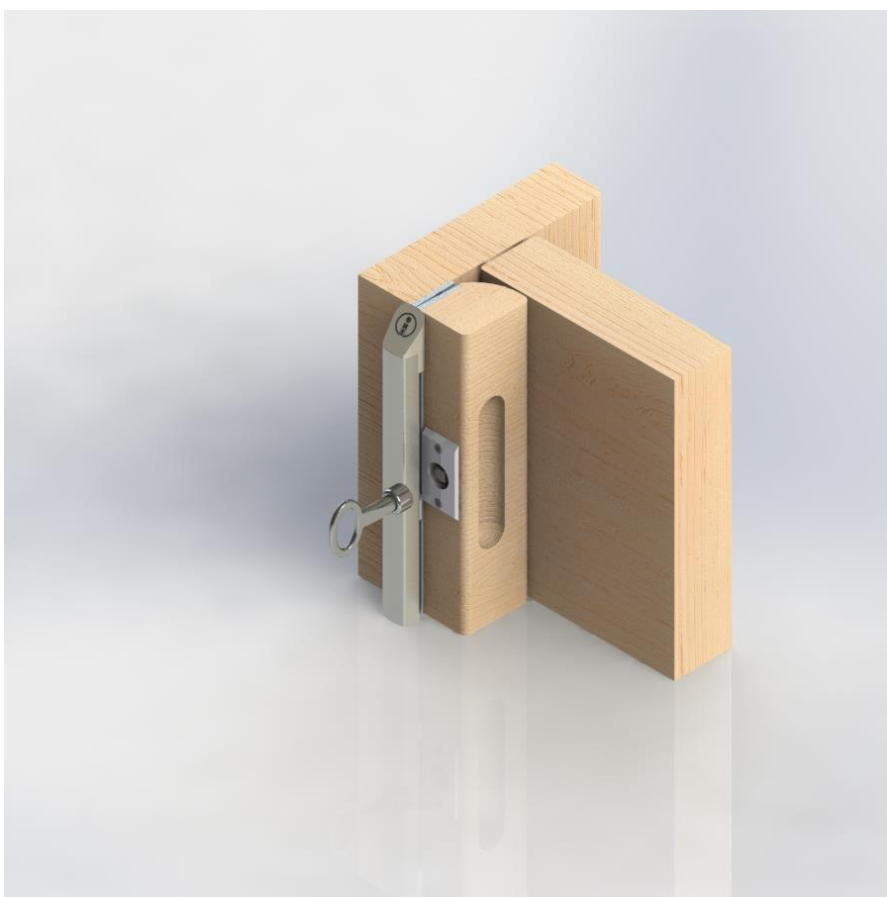


Product: Removable Doorstop Stop Mounted



Product Reference Codes:

- RDS-03-[Aluminium]-[Height]-[Handing]-[Keyless]
- RDS-07-[Tulip Wood]-[Height]-[Handing]-[8mm Key]
- RDS-08-[Hardwood Timber]-[Height]-[Handing]-[8mm Key]
- RDS-09-[Tulip Wood]-[Height]-[Handing]-[Lifeline]
- RDS-10-[Hardwood Timber]-[Height]-[Handing]-[Lifeline]



Doors



People



Places

Page 1 of 5

Version 1

Ref DS11.01.1116

Tel: 01302 364666

sales@intastop.com

www.intastop.com

Intastop Ltd Holly Street,
Kelham Ind. Est., Doncaster, DN1 3TR

Product

Removable Doorstop Stop Mounted

Product Reference Codes

RDS-03-[Aluminium]-[Height]-[Handing]-[Keyless]
 RDS-07-[Tulip Wood]-[Height]-[Handing]-[8mm Key]
 RDS-08-[Hardwood]-[Height]-[Handing]-[8mm Key]
 RDS-09-[Tulip Wood]-[Height]-[Handing]-[Lifeline]
 RDS-10-[Hardwood Timber]-[Height]-[Handing]-[Lifeline]

Product Description

Full length, fire rated, stop mounted doorstop ideal for bedroom and en-suite doors in mental health environments. It provides quick emergency outward opening operation of doors that normally open inwards, helping to resolve a number of problem areas including the elimination of barricade situations.



Product Specification

REMOVABLE DOOR STOP / ANTI-BARRICADE DOORSTOP GENERALLY:

- ❖ Manufacturer: Intastop Ltd, Holly Street, Kelham St Ind Est, Doncaster, DN1 3TR, T: 01302 364666, E: sales@intastop.com , www.intastop.com
- ❖ Removable Doorstop Ref:
 RDS-03-[Aluminium]-[Height]-[Handing]- [Keyless]
 RDS-07-[Tulip Wood]-[Height]-[Handing]-[8mm Key]
 RDS-08-[Hardwood]-[Height]-[Handing]-[8mm Key]
 RDS-09-[Tulip Wood]-[Height]-[Handing]-[Lifeline Key]
 RDS-10-[Hardwood]-[Height]-[Handing]-[Lifeline]
- ❖ Size: 50x25x2100 (non-standard 2400)
- ❖ Fire Rating: FD30 BS476 Part 20&22 for 30 minutes
- ❖ Performance: BS EN 1935 equivalent (Hinge)
- ❖ Category of Use: Grade 4 Severe Duty
- ❖ Durability: 1,250,000 cycles Grade 9, Destruction Tested DD171
- ❖ Hinge Grade Overall: 13
- ❖ Acoustic Performance: Not required.
- ❖ Accessories: Standard Cap TS001 Grade 4, 4mm Key
- ❖ Colour: Paint Grade Tulip Wood
- ❖ Fixing: in accordance with manufacturers installation instructions

Maintenance / Cleaning

- ❖ See manufacturers recommendations (separate document).



Doors



People



Places

Page 2 of 5

Version 1

Ref DS11.01.1116

Tel: 01302 364666

sales@intastop.com

www.intastop.com

Intastop Ltd Holly Street,
Kelham Ind. Est., Doncaster, DN1 3TR

Product

Removable Doorstop Stop Mounted

Product Reference Codes

RDS-03-[Aluminium]-[Height]-[Handing]-[Keyless]
 RDS-07-[Tulip Wood]-[Height]-[Handing]-[8mm Key]
 RDS-08-[Hardwood]-[Height]-[Handing]-[8mm Key]
 RDS-09-[Tulip Wood]-[Height]-[Handing]-[Lifeline]
 RDS-10-[Hardwood Timber]-[Height]-[Handing]-[Lifeline]

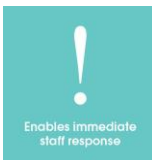
Removable Doorstop Benefits



Easy access in the event of a barricade

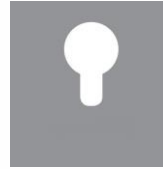


Helps reduce patient suicide



Fast/safe response in an event of a barricade

Removable Doorstop Features



Secure Dual Point Locking System



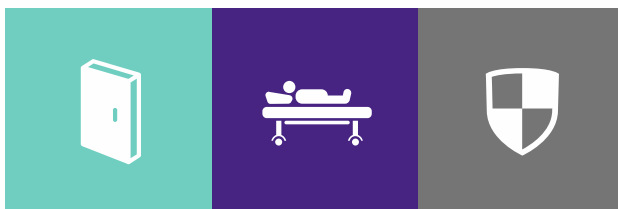
FD30 Fire Rated. Tested to European Standard EN1634-2000.



Anti-Ligature Tested to DHF TS 001:2013 B4 (0.5mm wire test)

Order Matrix

Order Code	Description	Material	Key Option	Mounting	Size (DxL) mm
RDS-03	Continuous Removable Doorstop	Aluminium	Keyless	Stop	50 x 2100 or 2400
RDS-07		Tulip Wood	8mm		
RDS-08		Hardwood Timber			
RDS-09		Tulip Wood	Lifeline		
RDS-10		Hardwood Timber			



Doors

People

Places

Page 3 of 5

Version 1

Ref DS11.01.1116

Tel: 01302 364666
 sales@intastop.com
 www.intastop.com

Intastop Ltd Holly Street,
 Kelham Ind. Est., Doncaster, DN1 3TR

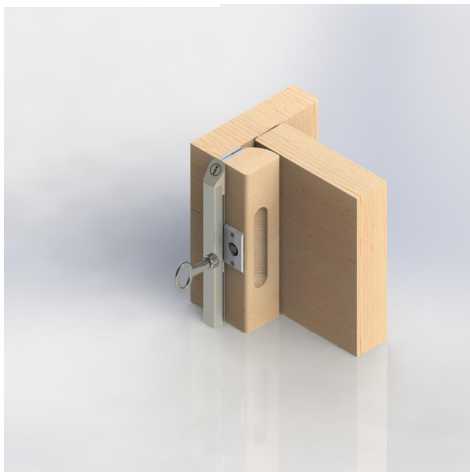
Product

Removable Doorstop Stop Mounted

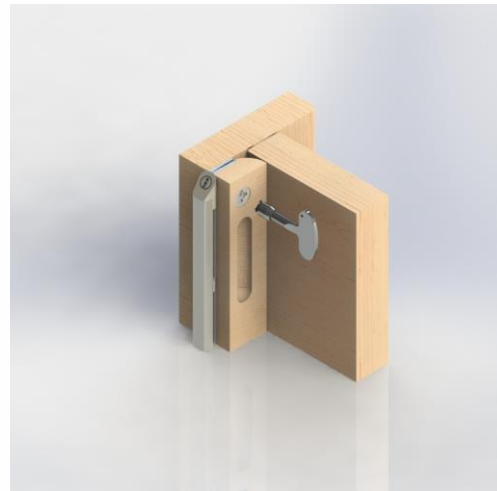
Product Reference Codes

- RDS-03-[Aluminium]-[Height]-[Handing]-[Keyless]
- RDS-07-[Tulip Wood]-[Height]-[Handing]-[8mm Key]
- RDS-08-[Hardwood]-[Height]-[Handing]-[8mm Key]
- RDS-09-[Tulip Wood]-[Height]-[Handing]-[Lifeline]
- RDS-10-[Hardwood Timber]-[Height]-[Handing]-[Lifeline]

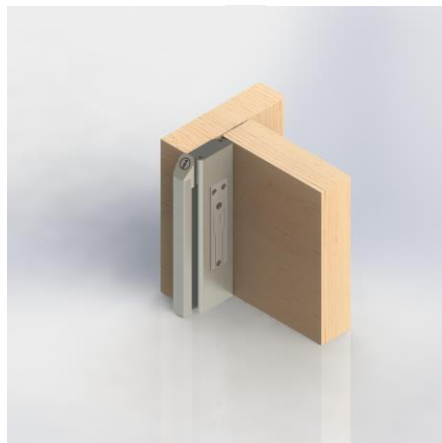
Overview



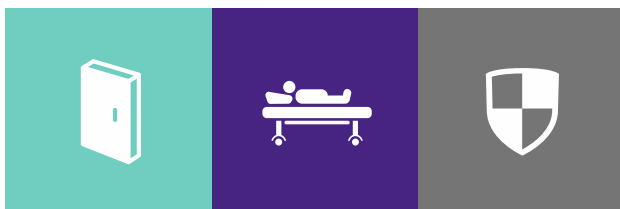
RDS-07/08-Stop Mounted-8mm Key



RDS-09/10-Stop Mounted-Lifeline Key



RDS-03-Aluminium-Stop Mounted-Keyless



Doors

People

Places

Page 4 of 5

Version 1

Ref DS11.01.1116

Tel: 01302 364666

sales@intastop.com

www.intastop.com

Intastop Ltd Holly Street,
Kelham Ind. Est., Doncaster, DN1 3TR

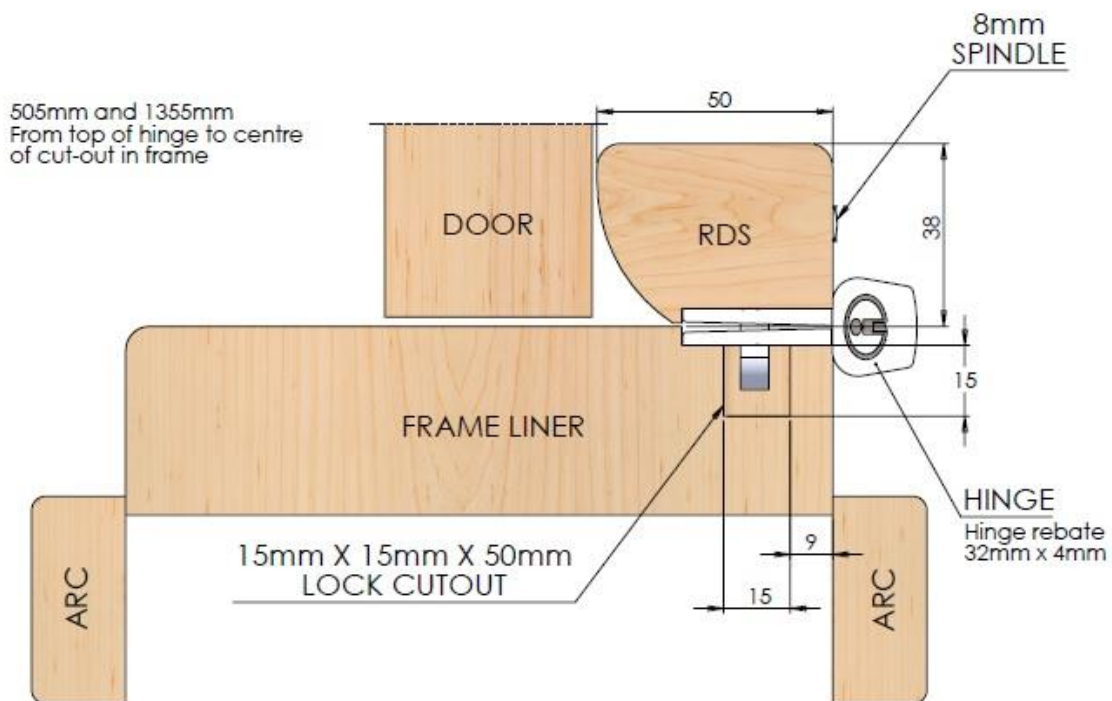
Product

Removable Doorstop Stop Mounted

Product Reference Codes

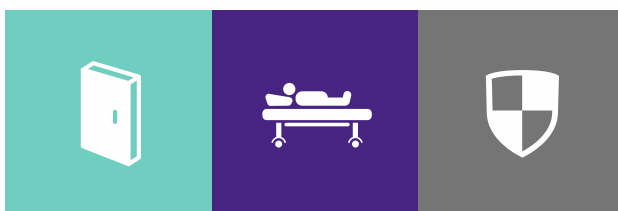
RDS-03-[Aluminium]-[Height]-[Handing]-[Keyless]
 RDS-07-[Tulip Wood]-[Height]-[Handing]-[8mm Key]
 RDS-08-[Hardwood]-[Height]-[Handing]-[8mm Key]
 RDS-09-[Tulip Wood]-[Height]-[Handing]-[Lifeline]
 RDS-10-[Hardwood Timber]-[Height]-[Handing]-[Lifeline]

Layout



Disclaimer

Please note that Intastop offers a range of measures designed to minimise the risk of self-harm, and does not offer any guarantee that it will not take place. The solutions have been designed as a deterrent only.



Doors

People

Places

Page 5 of 5

Version 1

Ref DS11.01.1116

Tel: 01302 364666

sales@intastop.com

www.intastop.com

Intastop Ltd Holly Street,
Kelham Ind. Est., Doncaster, DN1 3TR