

■ PROBEAD

PROFESSIONAL PVCu RENDER AND PLASTER BEADS



Colours



White



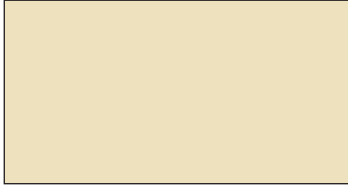
Ivory



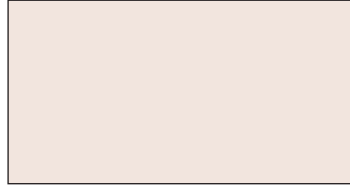
Sunbeam



African Grey



Wheat



Candy



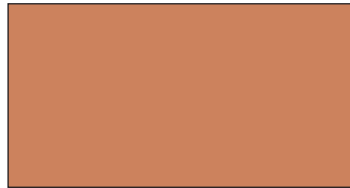
Dove



Bamboo



Sage



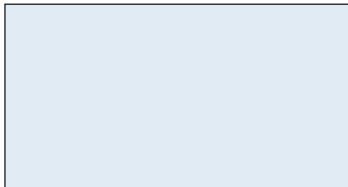
Brick



Mr Whippy



Fawn



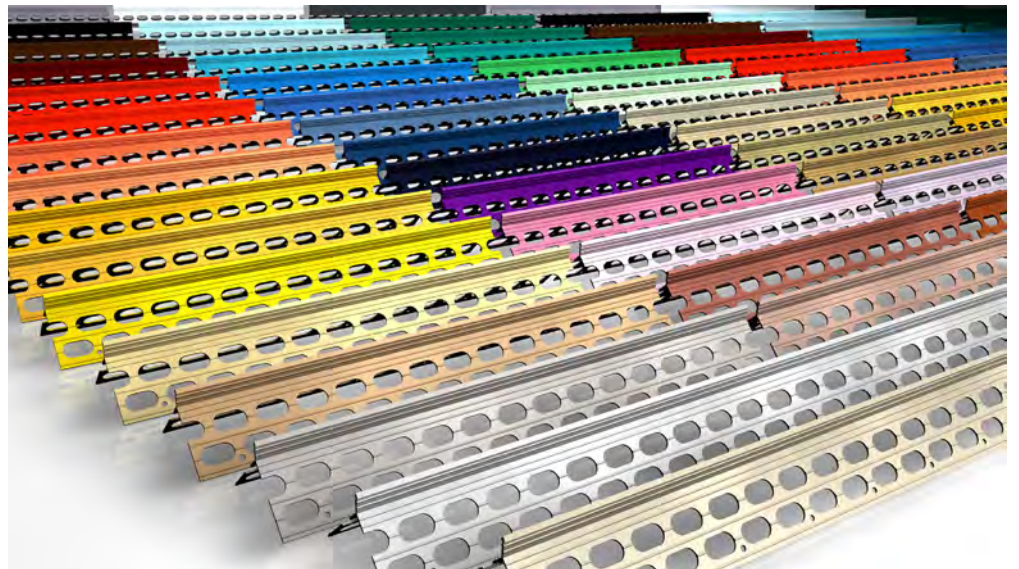
Ocean

Colours shown are for illustration only and the best match printing will allow. For site comparison purposes contact SAS (Europe) Ltd for a physical sample.

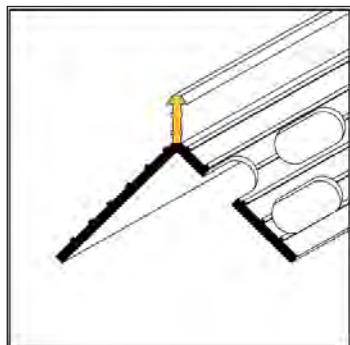
Custom Colours

In addition to the standard colour range shown above we are also able to manufacture custom colours to suit most renders.

Custom colours are particularly suitable for thin coat synthetic renders such as [ProRend Colourtex](#) or equivalent.



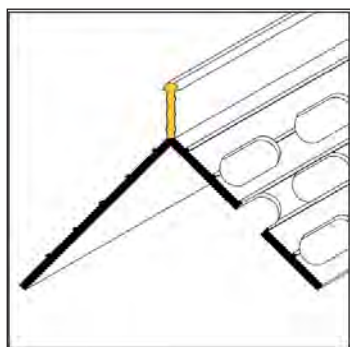
Angle / Corner Bead



Standard angle beads - 40mm wing

Item Code	Colour	Render Depth	Length	Box
SAB4*	White / Ivory	4-6mm	2.5m	100m
SAB6	All	6-8mm	3m	102m
SAB10	All	10-14mm	3m	102m
SAB15	All	15-20mm	3m	102m

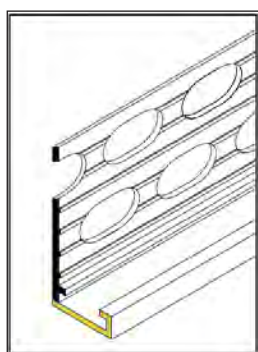
**not covered by BBA certificate 06/4382*



Wide angle beads - 57mm wing

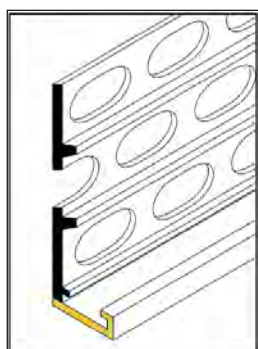
Item Code	Colour	Render Depth	Length	Box
WAB10	All	10-14mm	3m	102m
WAB15	All	15-20mm	3m	102m
WAB20	All	20-25mm	3m	102m

Bellcast / Drip Bead



Standard bellcast beads - 40mm wing

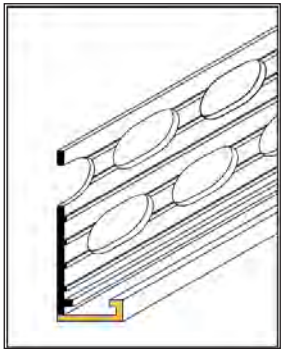
Item Code	Colour	Render Depth	Length	Box
3BC10	All	6-10mm	3m	102m
3BC15	All	10-15mm	3m	102m
3BC20	All	15-20mm	3m	102m



Wide bellcast beads - 55mm wing

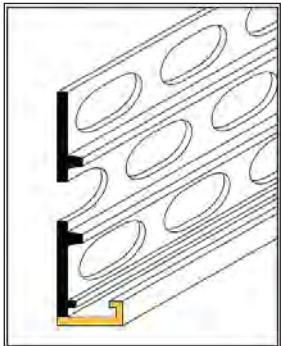
Item Code	Colour	Render Depth	Length	Box
W3BC15	White / Ivory	10-15mm	3m	102m
W3BC20	White / Ivory	15-20mm	3m	102m

■ Stop Bead



Standard stop beads - 40mm wing

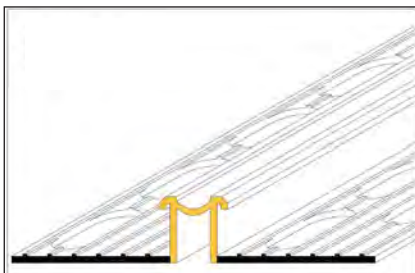
Item Code	Colour	Render Depth	Length	Box
3SB4	White	4mm	3m	102m
3SB6	All	6mm	3m	102m
3SB10	All	10mm	3m	102m
3SB15	All	15mm	3m	102m
3SB20	All	20mm	3m	102m



Wide stop beads - 55mm wing

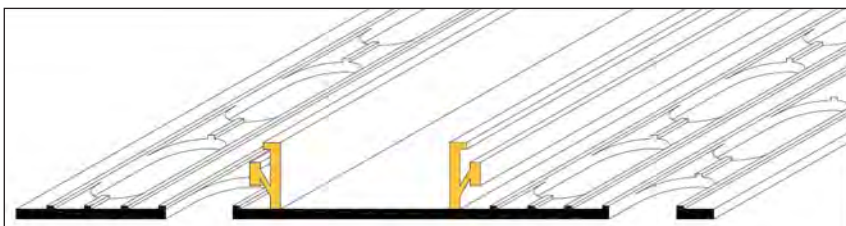
Item Code	Colour	Render Depth	Length	Box
W3SB10	White / Ivory	10mm	3m	102m
W3SB15	White / Ivory	15mm	3m	102m
W3SB20	White / Ivory	20mm	3m	102m

■ Expansion / Movement Bead



Item Code	Colour	Render Depth	Length	Box
EX6	White / Ivory	6mm	2.5m	100m
EX10	White / Ivory	10mm	2.5m	100m
EX15	White / Ivory	15mm	2.5m	100m

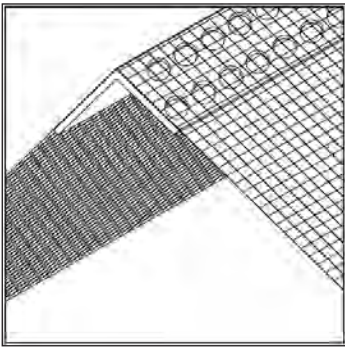
■ Ashlar Detail



The Ashlar Detail / Rustification bead creates a 25mm wide detail which can be mechanically fixed or bedded on.

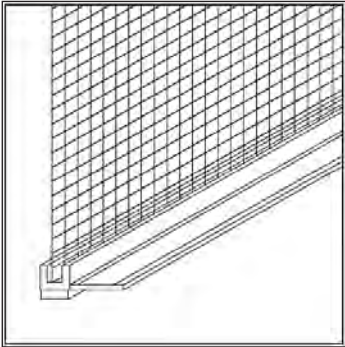
Item Code	Colour	Render Depth	Length	Box
3AD25	All	10mm	3m	51m

■ ProBead Plus Meshed Wing Beads



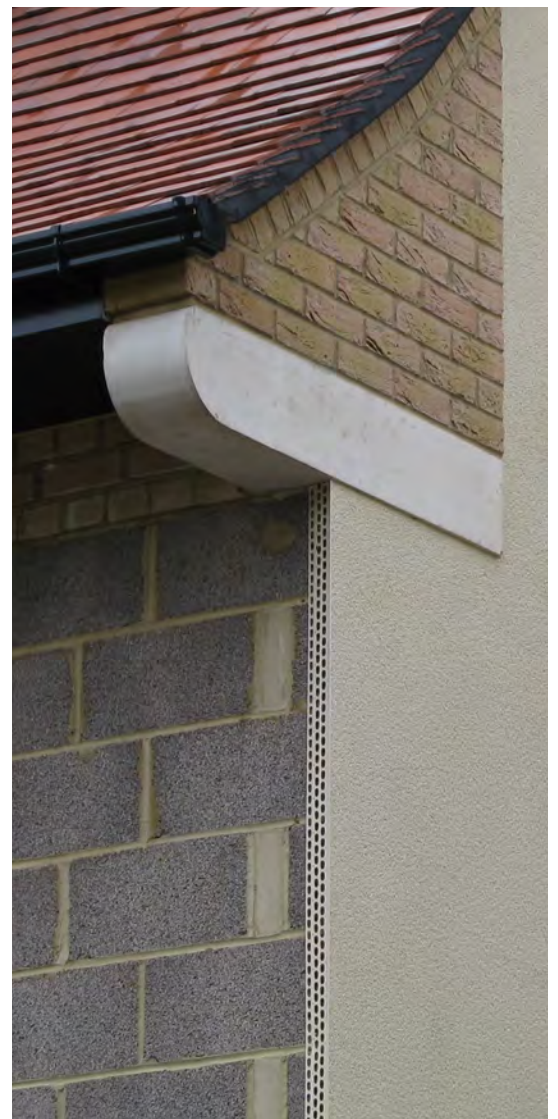
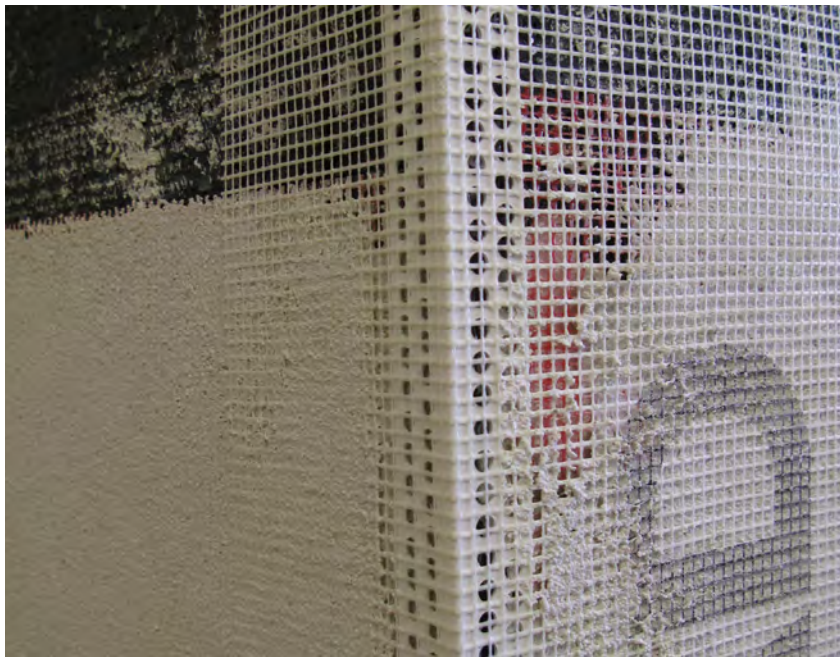
The Noseless Meshed Angle Bead with 100mm and 150mm asymmetric mesh returns is ideal for use in thin-coat render systems over external wall insulation or rain-screen cladding systems such as **ProRend EIFS** and **ProWall**.

Item Code	Colour	Render Depth	Length	Box
NMAB	White	5-6mm	2.5m	100m

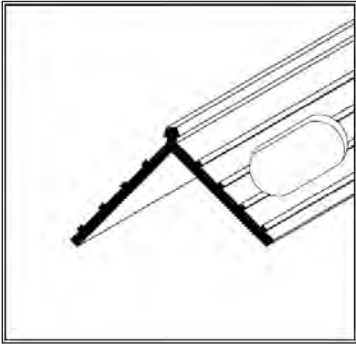


The Window Protection Bead with 150mm mesh return is ideal for use in thin-coat render systems over external wall insulation or rain-screen cladding systems such as **ProRend EIFS** and **ProWall**.

Item Code	Colour	Render Depth	Length	Box
PWWBP	White	5-6mm	2.4m	72m

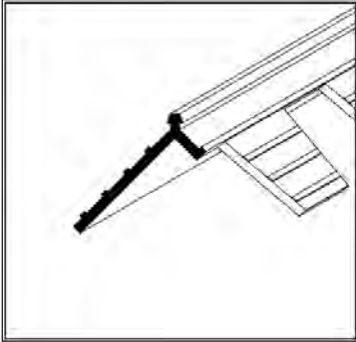


■ Drywall Beads



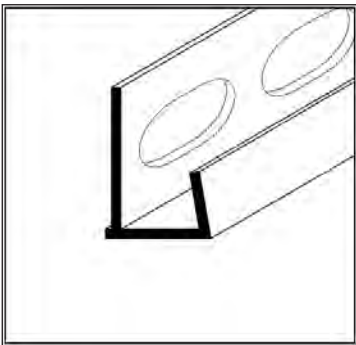
Drylining bead providing impact corners

Item Code	Colour	Plaster Depth	Length	Box
3AB2	White	2mm	3m	102m



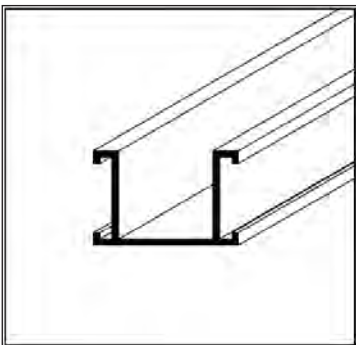
Arch angle bead for forming curves to a minimum radius of 250mm

Item Code	Colour	Plaster Depth	Length	Box
3AB2A	White	2mm	3m	102m



15mm clip-on plasterboard or render carrier board edge bead providing reinforcement

Item Code	Colour	Plaster Depth	Length	Box
3PE15	White	2mm	3m	102m



15mm shadow gap bead

Item Code	Colour	Plaster Depth	Length	Box
SG15	White	2mm	2.5m	100m

■ PROBEAD

PROFESSIONAL PVCu RENDER AND PLASTER BEADS

- 34 external and internal profiles
- Wider range of colours than any other manufacturer
- External render and internal plaster beads
- REACH registered raw materials

■ Features & Benefits

- Extensive through-coloured standard and custom range
- Lightweight - for ease of handling
- Easy to cut compared to traditional metal beads
- Cost-effective - due to time savings
- Excellent keying - reducing render or plaster wastage
- Non-corrosive - no staining on the walls due to rust
- Non-flammable
- 25 year guarantee against failure
- Over 1,000,000 metres in stock - reduced lead times

■ Standards & Compliance

- BBA certified 06/4382 (on selected profiles)
- ISO 9001:2008 manufactured
- ProBead PVCu profiles extruded to BS EN 12608:2003
- BS 476-4:1970 Fire tests on building materials and structures - Non-combustibility test for materials
- Profiles suitable for rendering and plastering to BS EN 13914:2005 Design preparation and application of external rendering and internal plastering



**Standard Colours:
100% reground PVCu**



■ SAS

At SAS we have in excess of 35 years of practical experience in the rendering and plastering industry from personal application of materials to technical troubleshooting on site. We are always striving to improve our service and provide quality information as quickly as possible.

We are constantly developing and innovating new products for the market place to provide the best solutions for rendering and plastering. Our product portfolio contains premium quality products offering longevity to the proprietor as well as technically sound and fast applications to the contractor.

■ Nationwide Delivery

Ex stock packaged goods next working day
Ex stock palletised goods 1-3 working days

■ Office Hours:

Monday-Thursday - 08:00-17:00
Friday - 08:00-16:30

Information contained in this brochure was correct at the date of print. SAS (Europe) Ltd reserve the right to make alterations to the content of this brochure and to the products and services we make available as part of our continuing commitment to improvement.

■ PROBEAD

ProBead is part of the SAS (Europe) Ltd range of products and systems



SAS (EUROPE) LTD
CHERITON BISHOP | EXETER | EX6 6JE | UK
T: +44 (0)1647 24620 F: +44 (0)1647 24020
E: info@sas-europe.com
www.sas-europe.com

