

SPECIFICATION SHEET: S029

SUBLINE CUBICLE RANGE

POSTFORMED CUBICLE SYSTEM



Detailed Product Specification

This elegant system is suitable for dry change areas and washrooms.

Facias:	38mm thick moisture resistant or standard core of medium density fibreboard (MDF) faced with 1mm high pressure laminate, postformed on vertical edges. Option of high density chipboard or WBP plywood to allow for concealed high strength fixings.
Doors and partitions:	18mm thick moisture resistant or standard core of medium density fibreboard (MDF) faced with 1mm high pressure laminate (HPL), edged with 2mm ABS or square as face.
Top Rail:	Angled aluminium top rail provides additional strength and stability and is bonded and mechanically fixed to fascia panels and postformed headrail.
Door Latch/Indicator Bolt:	Robust easy action door latch. Emergency exterior opening facility. Cubicle occupied indicator. Incorporates satin anodised aluminium rubber buffer for quiet door closure.
Door Hinge:	Each door fitted with 2 heavy-duty hinges, incorporating anti-finger trap and anti-lift off design. Door can be adjustable to door open/close/ajar, and open inward or out.
Pedestal Leg:	AA10 satin anodised aluminium pedestal leg 150mm high allowing 30mm adjustability for uneven / sloping floors.
Coat Hook:	Single aluminium coat hook with rubber safety buffer.
Panel Fixings:	Aluminium 'U' and angle bracket fixings for securing panels to each other and to walls. Minimum of 3 to each vertical panel. Tamper proof fixings are available as an alternative to the standard.
Sizes:	Cubicle sizes are tailored to suit your individual requirements. However, standard overall cubicle height is 1950mm which includes 150mm adjustable leg, cubicle width 750-1000mm.
Accessories:	Optional extra: Modesty panels, special fittings for disabled, baby change, standard supply toilet roll holder. As well as cubicles the Sublime range includes co-ordinated options for Vanity Units, Wall Linings and Ducting. A wide variety of alternative hardware is available for special applications.
Finish/Colour:	Doors and Panels: Extensive colour choice from any major laminate supplier in large sheet size. Top rail/Hardware/Door Furniture - AA10 satin anodised aluminium requiring minimum maintenance. Polyester powder coating with stainless or brass finish is an optional extra.
Seating:	Changing cubicles include optional cantilever seat or standard seat bracket. Seats are made of melamine faced particle board with a 2mm ABS edge, with solid grade laminate and wood as options.
Installation:	Helmsman offers a full installation service for its products.

HELMSMAN also provide an extensive range of lockers and changing room furniture.

After-sales Service: All of our products are supported by the Helmsman Service team who provide technical advice, maintenance schemes, prompt delivery of replacement keys/parts and product refurbishment. Contact them on 01284 727633 or email service@helmsman.co.uk

- Health & Safety: Lockers must be firmly secured to wall or floor and fixed together in runs for safety purposes. If applicable, install in accordance with specific product instructions.
- All dimensions are nominal.
- To enable us to interpret your requirements accurately, please state at time of enquiry/order the choice of locker type, colour, locking and nesting arrangement and delivery requirement.
- The products described in this specification sheet herein are the subjects of patent, trademark, design and copyright protection or application thereof.
- In the interest of efficiency and service to our customers, the company reserves the right to modify the specifications of any of its products.



SPECIFICATION SHEET: S027
AQUA-STATIC CUBICLE RANGE SYSTEMS ONE & TWO
FULLY FRAMED & SUSPENDED CUBICLE SYSTEM
K32-120 (NBS)



Detailed Product Specification

Cubicles designed to cope with the rigorous demands of high use public change areas. The design is effective through the use of rigid, aluminium heavy duty head rail sections and 50mm diameter tubular aluminium supports integrated with Solid Grade Laminate panelling.

Doors, partitions and pilasters:	Solid phenolic grade laminate, 12/13mm thick, black core. All exposed edges smoothed and radiused.
Door Latch/Indicator Bolt:	Robust easy action door latch. Emergency release facility. Large visible occupied indicator. Turn action ensures trouble free operation. Discreet security through fixings. Colour coordinated face and back plate. Vandal resistant design.
Door Hinge:	The solid grade laminate door is supported by a full length hinge bracket bonded and mechanically fixed top and bottom (middle fixing optional). Includes anti-finger trap and anti-lift design. Hinges can be adjusted so door can be allowed to stay open, close or ajar when not in use. Hinges can be fitted so doors open outwards.
Door:	Door closes against a full length sound deadening buffer. 20mm gap between the head rail and the door top to eliminate finger trap. Door corners radiused.
Coat Hook:	Single circular aluminium coat hook with integral rubber safety buffer.
Sizes:	Cubicle sizes are tailored to suit your individual requirements. However, standard overall cubicle height is 1950 mm, 900-1000mm width, with 150mm ground clearance.
Accessories:	Optional extra: Modesty panels, special fittings for disabled and family usage, baby change, wall panels etc.
Finish/Colour:	Doors and Panels: Helmsman standard SGL colour selector. Frame extrusion/hardware: Helmsman colour selector 7. – Other RAL/BS colours are available at supplementary cost. Hardware colour can match or contrast.
Frame extrusion/ Hardware/Door Furniture:	Cubicle Frame: Unique self supporting fully framed design: manufactured from heavy gauge extruded aluminium. All panels are bonded and or mechanically fixed to extrusions. Head rail top fixings are concealed with a rubber strip which stops dirt collection. All extrusions are smooth and circular which allows for easy cleaning and an excellent aesthetic appearance.
Integral Leg:	Heavy-duty 150mm high, providing 30mm adjustment to accommodate uneven floors. Concealed floor fixings.
Seat:	Solid grade laminate (hardwood slat option available for dry areas), securely fitted on 3 sides with aluminium brackets. Optional fitting via 2 epoxy powder coated 'L' brackets, manufactured from 25mm square section stainless steel. 10mm gap spacing around all edges.
Installation:	Helmsman offers a full installation service for its products.

After-sales Service: All of our products are supported by the Helmsman Service team who provide technical advice, maintenance schemes, prompt delivery of replacement keys/parts and product refurbishment. Contact them on 01284 727633 or email service@helmsman.co.uk

- Health & Safety: Lockers must be firmly secured to wall or floor and fixed together in runs for safety purposes. If applicable, install in accordance with specific product instructions.
- All dimensions are nominal.
- To enable us to interpret your requirements accurately, please state at time of enquiry/order the choice of locker type, colour, locking and nesting arrangement and delivery requirement.
- The products described in this specification sheet herein are the subjects of patent, trademark, design and copyright protection or application thereof.
- In the interest of efficiency and service to our customers, the company reserves the right to modify the specifications of any of its products.

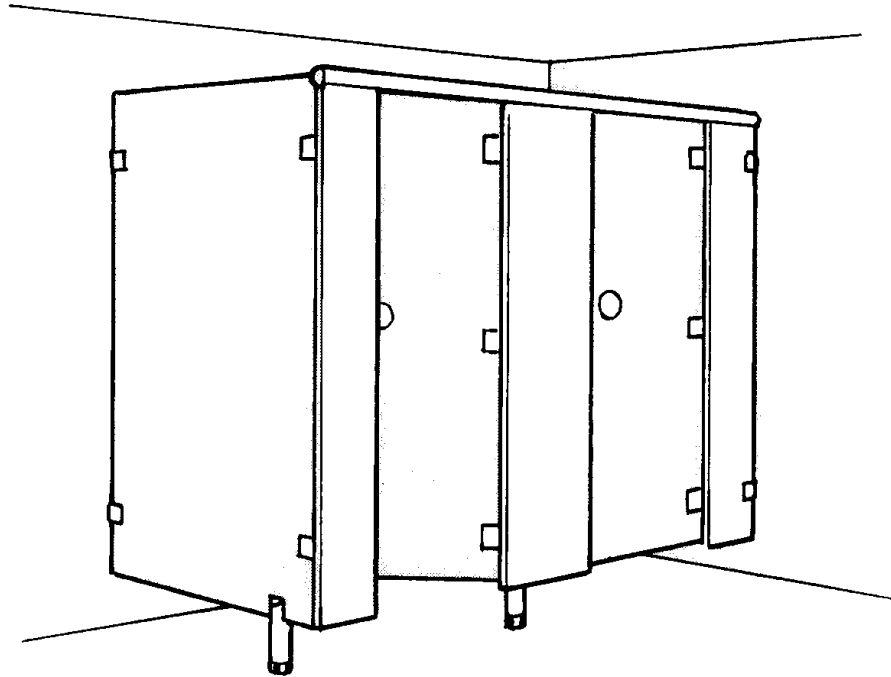


Certificate Number FM12508



Helmsman is the trading name of
Sperrin Metal Products Ltd

1 Northern Way, Bury St Edmunds,
Suffolk, IP32 6NH, United Kingdom
Tel: (+44) 01284 727600
Fax: (+44) 01284 727601
www.helmsman.co.uk
sales@helmsman.co.uk

SPECIFICATION SHEET: S026**Front Line Leisure Cubicle**

Bespoke: We have the ability to customise our products to meet your requirement and space, providing solutions for awkward corners, uneven floors or even curved walls.

After-sales Service: All of our products are supported by the Helmsman Service team who provide technical advice, maintenance schemes, prompt delivery of replacement keys/parts and product refurbishment. Contact them on 01284 727633 or email service@helmsman.co.uk

- Health & Safety: Lockers must be firmly secured to wall or floor and fixed together in runs for safety purposes. If applicable, install in accordance with specific product instructions.
- All dimensions are nominal.
- To enable us to interpret your requirements accurately, please state at time of enquiry/order the choice of locker type, colour, locking and nesting arrangement and delivery requirement.
- The products described in this specification sheet herein are the subjects of patent, trademark, design and copyright protection or application thereof.
- In the interest of efficiency and service to our customers, the company reserves the right to modify the specifications of any of its products.



SPECIFICATION SHEET: S031

ECO-LINE CUBICLE RANGE SYSTEM ONE

2MM ABS EDGED CUBICLE SYSEEM



Detailed Product Specification

Cubicles suitable for dry change and washrooms in a package designed to provide a strong functional product at an affordable price.

- Door and Panels:** 750 density moisture resistant or standard melamine faced particle board, 18 mm thick. All edges are sealed with 2mm ABS edging to enhance the panel appearance and increase safety and durability.
- Top Rail:** Angled aluminium top rail provides additional strength and stability and is bonded and mechanically fixed to fascia panels.
- Door Latch/Indicator Bolt:** Robust easy action door latch. Emergency exterior opening facility. Cubicle occupied indicator. Incorporates rubber buffer for quiet door closure.
- Door Hinge:** Each door fitted with 2 heavy-duty hinges, incorporating anti-finger trap and anti-lift off design. Door can be adjustable to door open/close/ajar, and open inward or out.
- Pedestal Leg:** AA10 satin anodised aluminium pedestal leg 150mm high allowing 30mm adjustability for uneven / sloping floors.
- Coat Hook:** Single aluminium coat hook with rubber safety buffer.
- Panel Fixings:** Aluminium 'U' and angle bracket fixings for securing panels to each other and to walls. Minimum of 3 to each vertical panel. Tamper proof fixings are available as an alternative to the standard.
- Sizes:** Cubicle sizes are tailored to suit your individual requirements. However, standard overall cubicle height is 1950 mm which includes 150 mm adjustable leg.
- Accessories:** Optional extra: Modesty panels, special fittings for disabled, baby change, standard supply toilet roll holder. As well as cubicles the eco-Line 1 range includes co-ordinated options for Vanity Units, Wall Linings and Ducting. A wide variety of alternative hardware is available for special applications.
- Finish/Colour:** Doors and Panels: Extensive colour choice from any major laminate supplier in large sheet size. Top rail/Hardware/Door Furniture - AA10 satin anodised requiring minimum maintenance. Polyester powder coating with stainless or brass finish is an optional extra.
- Seating:** Changing cubicles include optional cantilever seat or standard seat bracket. Seats are made of melamine faced particle board with a 2mm PVC edge, with solid grade laminate and wood as options.
- Installation:** Helmsman offers a full installation service for its products.

HELMSMAN also provide an extensive range of lockers and changing room furniture.

After-sales Service: All of our products are supported by the Helmsman Service team who provide technical advice, maintenance schemes, prompt delivery of replacement keys/parts and product refurbishment. Contact them on 01284 727633 or email service@helmsman.co.uk

- Health & Safety: Lockers must be firmly secured to wall or floor and fixed together in runs for safety purposes. If applicable, install in accordance with specific product instructions.
- All dimensions are nominal.
- To enable us to interpret your requirements accurately, please state at time of enquiry/order the choice of locker type, colour, locking and nesting arrangement and delivery requirement.
- The products described in this specification sheet herein are the subjects of patent, trademark, design and copyright protection or application thereof.
- In the interest of efficiency and service to our customers, the company reserves the right to modify the specifications of any of its products.



SPECIFICATION SHEET: S030

ECO-LINE CUBICLE RANGE SYSTEM TWO

ALUMINIUM EDGED CUBICLE SYSTEM



Detailed Product Specification

Cubicles suitable for dry change and washrooms in a package designed to provide increased strength and durability through the application of an aluminium edging to doors and panels.

- Door and Panels: 750 density moisture resistant or standard melamine faced particle board, 19 mm thick. All edges are sealed and enclosed within an aluminium section to provide increased protection.
- Top Rail: Angled aluminium top rail provides additional strength and stability and is bonded and mechanically fixed to fascia panels.
- Door Latch/Indicator Bolt: Robust easy action door latch. Emergency exterior opening facility. Cubicle occupied indicator. Incorporates rubber buffer for quiet door closure.
- Door Hinge: Each door fitted with 2 heavy-duty hinges, incorporating anti-finger trap and anti-lift off design. Door can be adjustable to door open/close/ajar, and open inward or out.
- Pedestal Leg: AA10 satin anodised aluminium pedestal leg 150mm high allowing 30mm adjustability for uneven / sloping floors.
- Coat Hook: Single aluminium coat hook with rubber safety buffer.
- Panel Fixings: Aluminium 'F' sections for securing panels to each other and to walls. Tamper proof fixings are available as an alternative to the standard.
- Sizes: Cubicle sizes are tailored to suit your individual requirements. However, standard overall cubicle height is 1950 mm which includes 150 mm adjustable leg.
- Accessories: Optional extra: Modesty panels, special fittings for disabled, baby change. As well as cubicles the Eco-Line 2 range includes co-ordinated options for Vanity Units, Wall Linings and Ducting. A wide variety of alternative hardware is available for special applications.
- Finish/Colour: Doors and Panels: Extensive colour choice from any major laminate supplier in large sheet size. Top rail/Hardware/Door Furniture - AA10 satin anodised requiring minimum maintenance. Polyester powder coating is an optional extra.
- Seating: Changing cubicles include optional cantilever seat or standard seat bracket. Seats are made of melamine faced particle board with an aluminium edge, with solid grade laminate and wood as options.
- Installation: Helmsman offers a full installation service for its products.

HELMSMAN also provide an extensive range of lockers and changing room furniture.

After-sales Service: All of our products are supported by the Helmsman Service team who provide technical advice, maintenance schemes, prompt delivery of replacement keys/parts and product refurbishment. Contact them on 01284 727633 or email service@helmsman.co.uk

- Health & Safety: Lockers must be firmly secured to wall or floor and fixed together in runs for safety purposes. If applicable, install in accordance with specific product instructions.
- All dimensions are nominal.
- To enable us to interpret your requirements accurately, please state at time of enquiry/order the choice of locker type, colour, locking and nesting arrangement and delivery requirement.
- The products described in this specification sheet herein are the subjects of patent, trademark, design and copyright protection or application thereof.
- In the interest of efficiency and service to our customers, the company reserves the right to modify the specifications of any of its products.



SPECIFICATION SHEET: S028

FRONT LINE CUBICLE RANGE SYSTEM ONE



Detailed Product Specification

Cubicles suitable for wet and dry toilet & changing environments in a package designed to provide optimum strength and style at an affordable price.

- Doors, partitions and pilasters: Solid phenolic grade laminate, 12/13 mm thick, black core. All exposed edges smoothed and radiused.
- Finish/Colour: Doors, partitions and pilasters: Extensive colour choice from helmsman standard colour range. Hardware/Door Furniture: SAA, black or white as standard. Other RAL/BS colours are available at supplementary cost
- Head Rail: Strong, rounded extruded aluminium channel which stabilises and strengthens cubicle. It is mechanically fixed to pilasters.
- Door Latch/Indicator Bolt: Ergonomic slide operated indicator bolt with circular face plate, integral rubber door buffer and emergency release facility.
- Door Hinge: Each door fitted with 3 heavy-duty, through fixing hinges, incorporating anti-finger trap and anti-lift design. Hinges can be adjusted so door can be allowed to stay open, closed or ajar when not in use. Hinges can be fitted so doors open outwards.
- Pedestal Leg: Heavy-duty, 150mm high, providing 30mm adjustment to accommodate uneven floors. Concealed floor fixings and security through fittings.
- Coat Hook: Single circular aluminium coat hook with integral rubber safety buffer.
- Seat: Changing cubicle seats are made of solid grade laminate or hardwood slat (option) and include optional cantilever or standard seat bracket.
- Panel Fixings: Aluminium 'U' brackets with tamper proof fixing for securing panels to each other and to walls. Minimum of 3 to each vertical panel. Security fixings come as standard
- Sizes: The overall height of cubicles is 1950mm. This can be varied to suit specific applications within the limit of the chosen panel specification. Back to back cubicles will be limited to 2500mm overall. Special arrangements can be made for bigger dimensions which may necessitate additional supporting structure.
- Installation: Helmsman offers a full installation service for its products.

HELMSMAN also provide an extensive range of lockers, changing room furniture, toilet/shower cubicles, vanity units, wall linings and panel systems.

After-sales Service: All of our products are supported by the Helmsman Service team who provide technical advice, maintenance schemes, prompt delivery of replacement keys/parts and product refurbishment. Contact them on 01284 727633 or email service@helmsman.co.uk

- Health & Safety: Lockers must be firmly secured to wall or floor and fixed together in runs for safety purposes. If applicable, install in accordance with specific product instructions.
- All dimensions are nominal.
- To enable us to interpret your requirements accurately, please state at time of enquiry/order the choice of locker type, colour, locking and nesting arrangement and delivery requirement.
- The products described in this specification sheet herein are the subjects of patent, trademark, design and copyright protection or application thereof.
- In the interest of efficiency and service to our customers, the company reserves the right to modify the specifications of any of its products.



Helmsman is the trading name of
Sperrin Metal Products Ltd

1 Northern Way, Bury St Edmunds,
Suffolk, IP32 6NH, United Kingdom
Tel: (+44) 01284 727600
Fax: (+44) 01284 727601
www.helmsman.co.uk
sales@helmsman.co.uk