



Uniclass L725111	EPIC G611
CI/SIB (74.26)	X

DATA

Monobloc Manual Kitchen Mixer
 Maximum Temperature 43°
 Minimum Pressure 0.2 Bar
 Maximum Pressure 12 Bar
 Normal Control Temperature 38°
 With Water Saving Aerator 6 or 9 l/pm @ 3 bar

MATERIALS

Mixer Body BZR Brass With Chrome Finish
 Handles BZR Brass With Chrome Finish

FEATURES

Patented Soft Close mechanism preventing water hammer
 Built in water saving limiter
 Built in temperature limiter (Anti Scald)
 Soft Flow or water saving Aerator Diffuser
 Quick & Easy to fit & maintain
 Full & Eco flow Click Handle Capability

SPEC CODES

Kitchen Basin Mixer 9110-6100

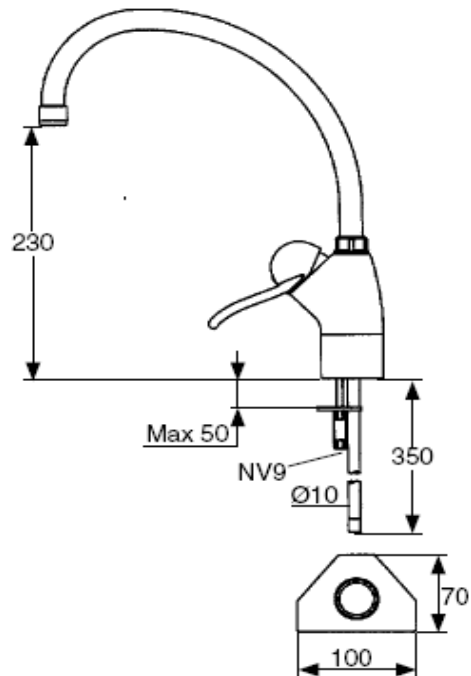
APPROVALS & COMPLIANCE

WRAS ISO9001 ISO 14002 BS8300 Compliant * BS EN 1111 Compliant * BS EN 1827 Compliant* BS 6920 Compliant *When fitted with 9230 Thermostatic Mixing Valve BREEAM Compliant

APPLICATION

Hospital, hotels, accommodation blocks, halls of residence, barracks, gymnasiums, residential, Housing Associations

BREEAM 9110 Mono Kitchen Mixer



01628 529024

www.alchallis.com

@ info@alchallis.com