



Uniclass L725111	EPIC G611
CI/SB (74.26)	X

03-291 Shower Kit

DATA

Thermostatic & Pressure Balanced Mixing Valve
 Concealed supply, Exposed Riser c/w Aerated Swivel Head
 Maximum Temperature 43°
 Minimum Pressure 0.5 Bar
 Maximum Pressure 12 Bar
 Pressure Differential 10 Bar
 Temperature Differential 0°
 Normal Control Temperature 38°
 Output Temp Differential +/- 1°c
 Max Output 5 l/pm @ 1 Bar

MATERIALS

Mixer Body BZR Brass With Chrome Finish
 Handles ABS Plastic
 Showerhead BZR Brass & ABS Plastic
 Connections Inlet Valve Body G3/4 F BSP

FEATURES

Thermostatic & Pressure Balanced Cartridges constant temp regardless of pressure variations
 Anti Scald cut off 0.02 seconds
 Water Saving Showerhead
 Quick & Easy to fit & maintain
 NRV Fitted to Hot & Cold Inlets
 We recommend the use of isolating ball valves with our units

SPEC CODES

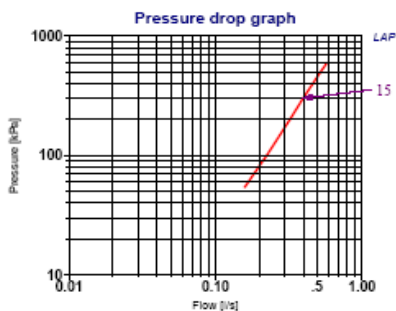
Kit Complete 03-291
 Mixer 8211-7700
 Fixing Bracket 9205-2050
 Water Saving Showerhead 291
 Shower Arm 141

APPROVALS & COMPLIANCE

WRAS ISO9001 ISO 14002 BS8300 Compliant BS EN 1111 Compliant BS EN 1827 Compliant BS 6929 Compliant BREEAM Compliant TMV2 Approved

APPLICATION

Multi user and multi floor applications. Halls of Residence Hospital, hotels, accommodation blocks, barracks, gyms



**10 YEAR
CALCIUM
GUARANTEE**

FM Mattsson

**10 YEAR
PRESSURE
GUARANTEE**

FM Mattsson

**10 YEAR
TEMPERATURE
GUARANTEE**

FM Mattsson

Tele: 01628 529024

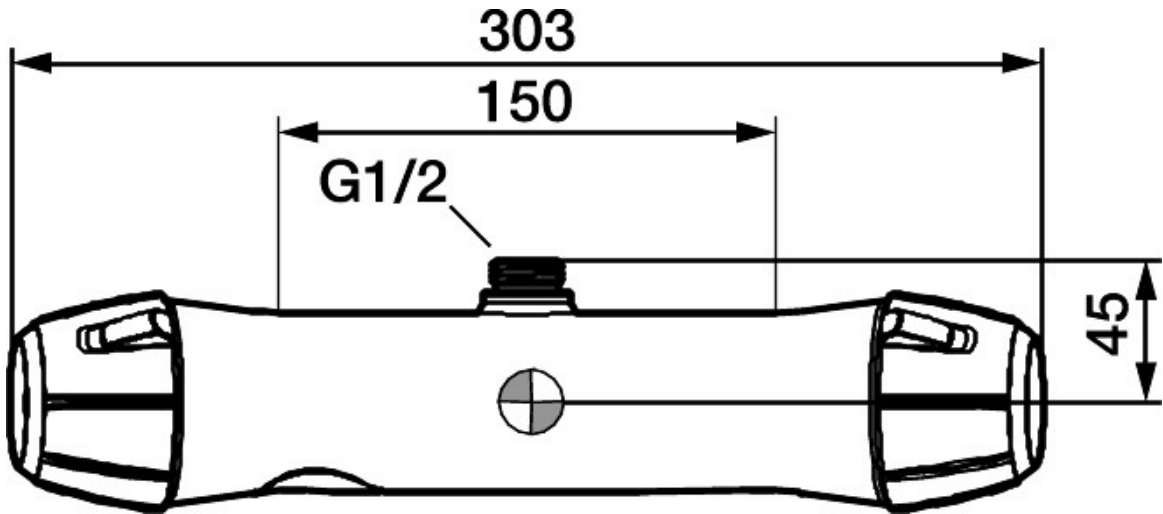
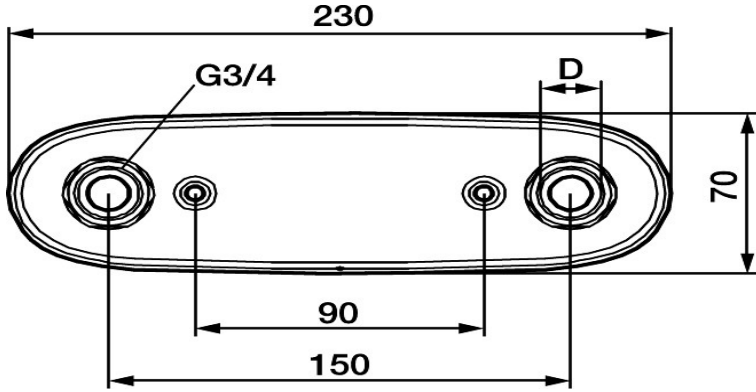
www.alchallis.com

@ info@alchallis.com





Uniclass L725111	EPIC G611
CI/SB (74.26)	X



**10 YEAR
CALCIUM
GUARANTEE**
FM Mattsson

**10 YEAR
PRESSURE
GUARANTEE**
FM Mattsson

**10 YEAR
TEMPERATURE
GUARANTEE**
FM Mattsson

Tele: 01628 529024

www.alchallis.com

@ info@alchallis.com



WRAS
APPROVED
PRODUCT