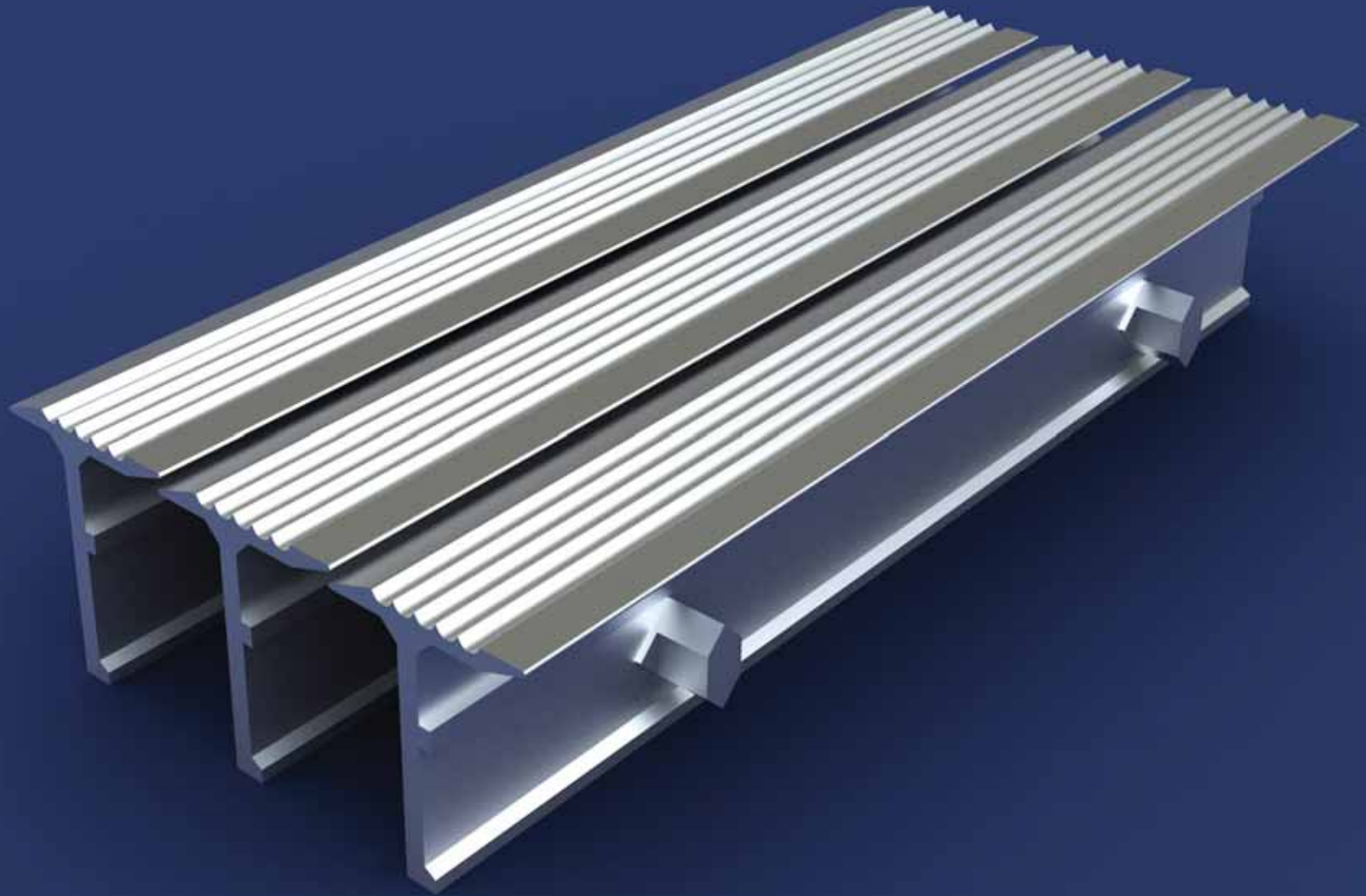


# Neatdek 188

C1/SFb(34)Gh4 07.14

A new design concept in decking and flooring.



iT's open, yet closed.



## Safety underfoot

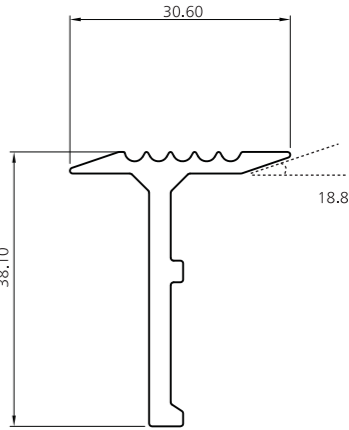
With concealed drainage and no surface gaps, it's even safe to walk in stilettos.



## Easy maintenance

Litter and other items are kept on the surface and easily picked up.

### 1. Technical Specification



Height: 38.1mm  
Width: 30.6mm  
Angle: 18.8°

### 2. Load / Span table Maximum clear span(mm)

1. LIGHT DUTY -Access limited to one person. 3kN/m2 U.D.L.		
Deflection	1/200 Span or 10mm	6.5mm
Limiting Span	1925mm	1800mm

2. GENERAL DUTY -Regular two-way pedestrian traffic. 5kN/m2 U.D.L.		
Deflection	1/200 Span or 10mm	6.5mm
Limiting Span	1675mm	1575mm

3. HEAVY DUTY -High density pedestrian traffic. 7.5kN/m2 U.D.L.		
Deflection	1/200 Span or 10mm	6.5mm
Limiting Span	1450mm	1425mm

## OTHER PRODUCTS FROM NEACO

Balustrade

Balconies

Structural glass

Solar shading

Adaptive bathing



All NEACO products come with our class-leading Lifetime Guarantee.

[www.neaco.co.uk](http://www.neaco.co.uk)

# NEACO

Norton Engineering Alloys Company Limited,  
Norton Grove Industrial Estate, Norton,  
Malton, N. Yorkshire YO17 9HQ England



Tel: 01653 695721 Fax: 01653 600418  
E-mail: [sales@neaco.co.uk](mailto:sales@neaco.co.uk)

## Complete privacy

Completely restricts the view from above and below - making it ideal for balconies.