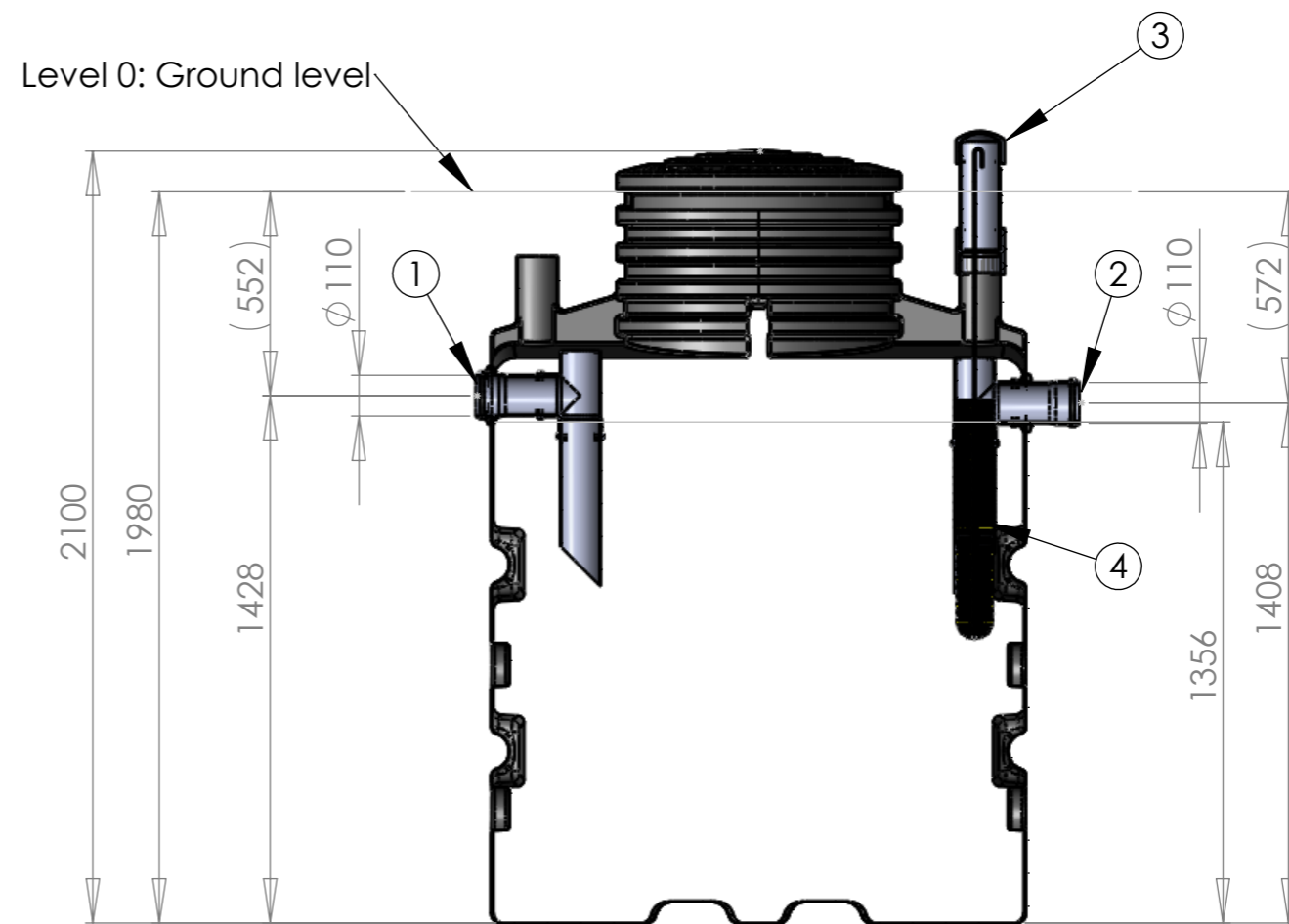
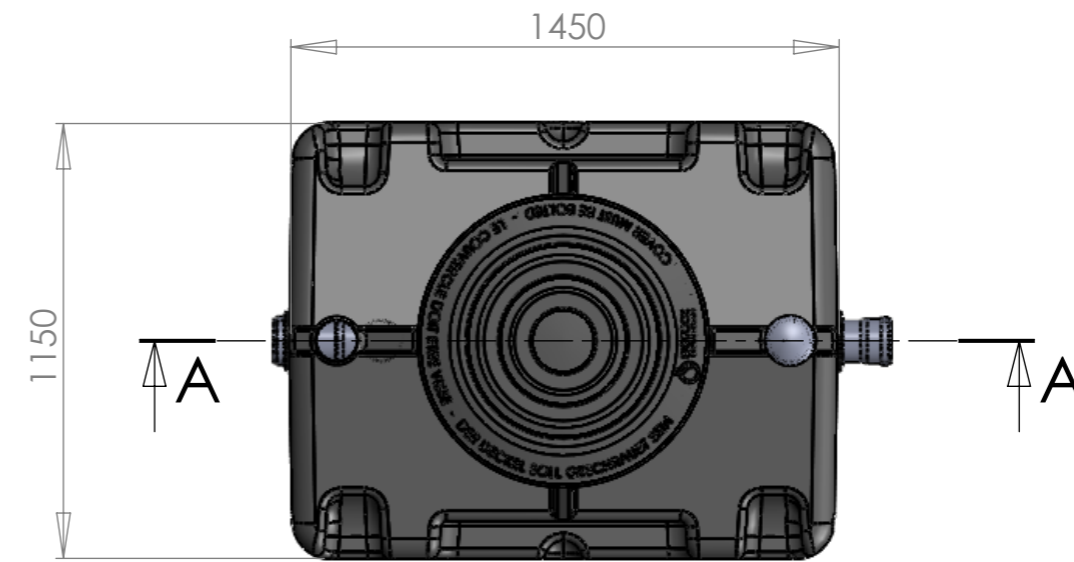


BIOROCK Primary tank

ST1-2000

1	Water inlet ; Air outlet
2	Water outlet ; Air inlet
3	Removable cap for filter
4	Filter

Design parameters	Value	Unit
ST1-2000		
Capacity P.E.	4	P.E.
Volume per P.E.	500	liter/P.E.
Need volume	2000	Liter
Total volume	2000	Liter
Specification	Value	Unit
Tank capacity	2000	Liter
Overall length	1450	mm
Overall width	1150	mm
Overall height	2100	mm
Total weight (without water)	125	Kg
Pipeworks diameter	110	mm



CROSS A-A
SCALE 1 : 20

DATE		16/07/2012
ST1-2000		
		A3