



elefant riste
- the original...

Stair treads type O5™-M



- Based on type O5™ punched pattern
- Designed to loads of BS6399 Part 1:1996
- Slip resisting surface (Average Wet PTV: 79)
- Maximum 5 mm diameter holes for pedestrian access in stiletto heels
- Can be supplied in accordance with "Part M" & BS 8300
- With or without rear riser
- Optional powder coated visual nose
- Standard range to 1800 mm span
- Bespoke designs as required
- Alternative designs using close mesh rib gratings and "O5™" visual nosing

One step ahead...



elefant riste
- the original...

Elefant Gratings Ltd.

UK Tel. 01732 884123
sales@elefantgratings.com

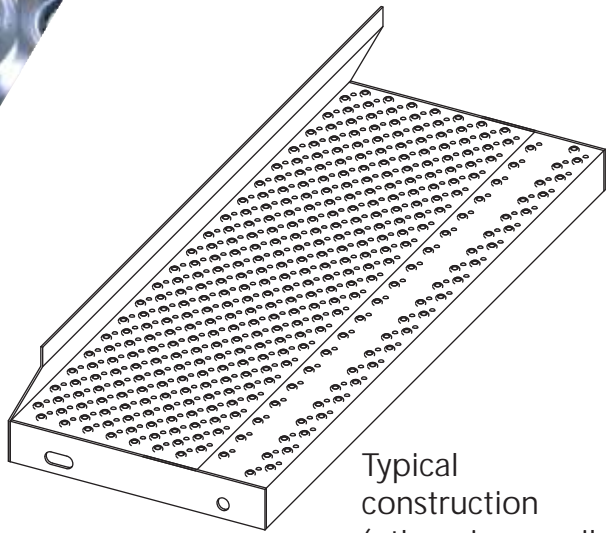
IRL Tel. 065 6841313
sales@elefantgratings.ie

Member of

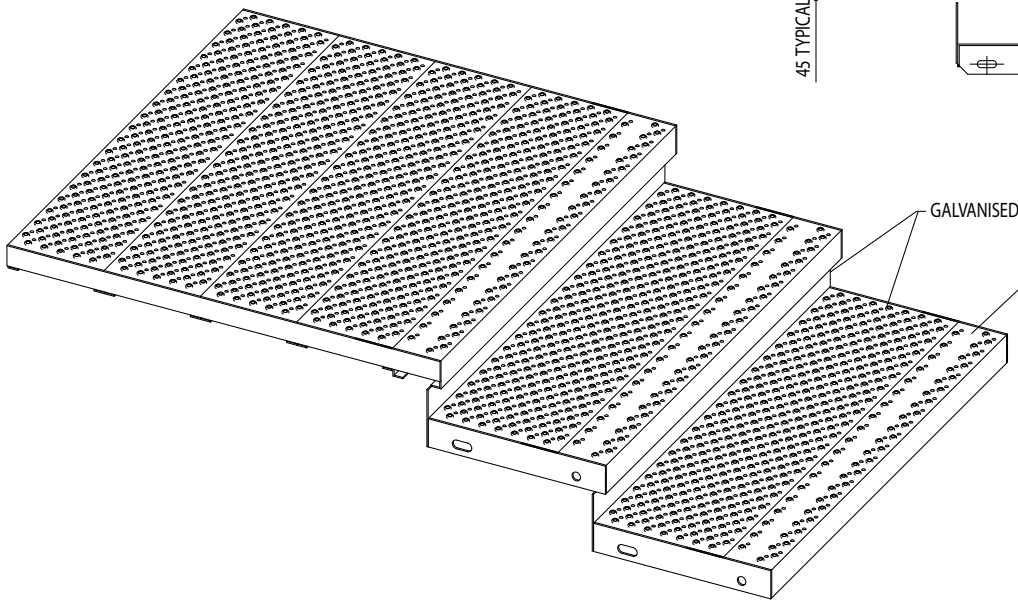
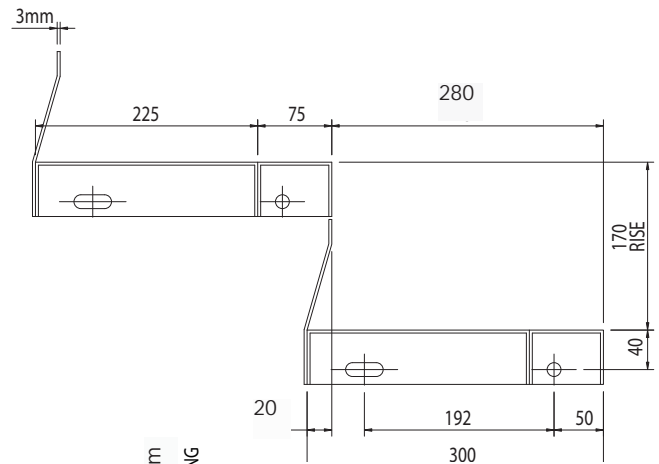


Group

Stair treads type O5™-M



Typical construction
(other sizes available)



GALVANISED

GALVANISED +
POWDER COATED
TO SPECIFIED COLOUR

Typical construction and use of type O5™-M treads in conjunction with landings and walkways

Stair tread type O5™-M is based on the type O5 pattern.

Type O5 is identified by 5 mm dia. punched and drainage holes and low visual transparency. This pattern is used commonly in high working areas to stop falling objects or in public areas requiring heel-proof flooring.

- Thickness: 2 mm thick material
- Material: Steel
- Surface treatment: Self coloured or Hot dip galvanised

For further information, please contact our sales department.



Elephant Gratings Ltd.

UK Tel. 01732 884123
sales@elephantgratings.com

IRL Tel. 065 6841313
sales@elephantgratings.ie

Member of

