

Dock shelter

ASSA ABLOY DS6070B

ASSA ABLOY
Entrance Systems

Experience a safer
and more open world



Inflatable dock shelter

The food industry puts high demands on loading bay sealing in order to keep the cold chain as intact as possible. The dock shelter must provide continuous weather protection throughout the entire loading and unloading operation.

Contrary to other types of dock shelters, with the ASSA ABLOY DS6070B inflatable shelter the vehicle does not push towards the shelter. Instead, the shelter is inflated around the docked vehicle, providing complete sealing. The inflatable shelters are suitable for a wide range of vehicle sizes and their sealing capacity exceeds by far the standard normally required by operators.

In rest position, the ASSA ABLOY DS6070B inflatable shelter is completely retracted behind the side structures, giving the vehicle driver the possibility to use the complete width of the loading bay when reversing into it. In addition, yellow front line indicators further facilitate the dock-in navigation. Stable collision protectors at the ramp height prevent shelter damages.

Insulated top and side panels

The inflatable dock shelter is installed into a frame construction covered by insulated panels, giving additional insulation effects. The design facilitates easy and fast component exchange, should this be needed.

High quality material composition

The side and top inflatable airbags are made of impact resistant material with a strong, woven core. It is non-flammable, colour stable and highly resistant to weather impacts – in other words a material well suited for optimal function in rough docking environments.

Technical Data

Nominal height	3755, 4055, 4355, 4555 mm
Nominal free height	3300, 3600, 3900, 4100 mm
Nominal width	3600 mm
Nominal depth	770, 1020 mm
Top bag extension	1000, 1300 mm
Side bag extension	650 mm
Walls and roof	insulated panel, 42 mm
Standard RAL colours	9002, 9016, 1021, 3002, 5010, 6005, 7016, 9006, 9007, 9010
Fabric quality	PVC coated polyester
Top bag	500 g/m ² , thickness 0,5 mm
Side bag rear	600 g/m ² , thickness 0,5 mm
Side bag front	2500 g/m ² , thickness 2 mm
Fan	230 V, 1-phase, 50 Hz, 250 W noise level: 65 dBA in working position
Operating	Switch control included Other controls available as option
Temperature range	-30°C to +60°C

Dimensions

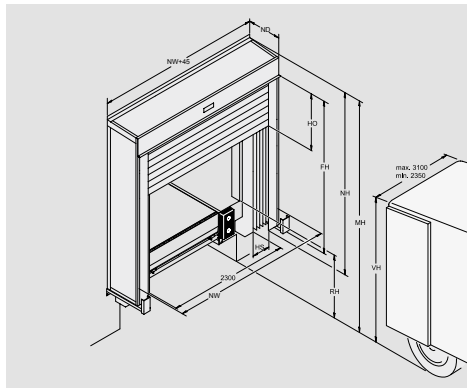
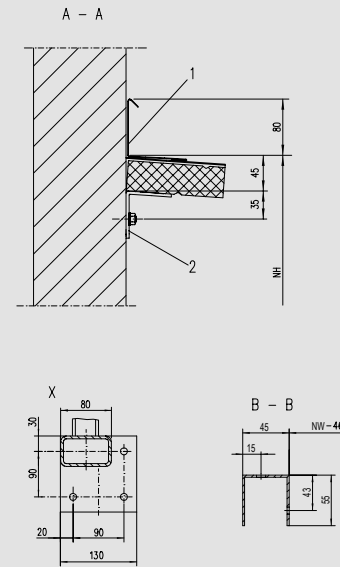
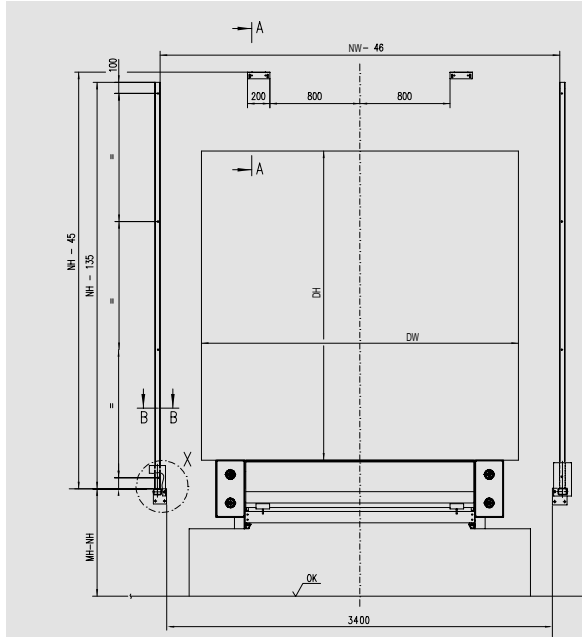


Abb.	Dimension	Value (mm)
NW	Nominal width	3600
NH	Nominal height	3755, 4055, 4355, 4555
ND	Nominal depth	770, 1020
FH	Free height above level*	3300, 3600, 3900, 4100**
HO	Top bag extension	1000, 1300
HS	Side bag extension	650
MH	Installation height	VH+800
RH	Dock height	
VH	Vehicle height	

* depending on MH (installation height)
 ** maximum sizes

Fixing points



- 1 Wall mounting profile*
 - 2 Support bracket*
- * belongs to the wall fixing

Wall fixings

