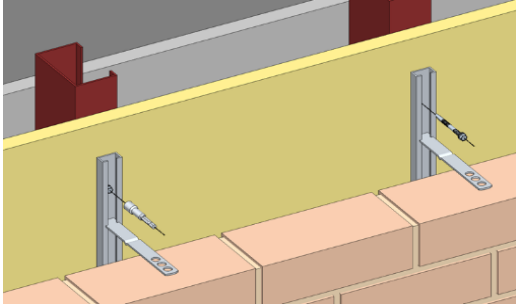


25/14 Brick-tie Restraint System to Steel Studwork

This system is designed to tie back external masonry to SFS steel studwork. Dual thread self-drilling self-tapping screws fix back through the channel and insulation into the SFS. Wincro WTS2C27 safe ended brick ties slot into the channel and build into the outer leaf of brickwork.



The system is suitable for use with rigid and Rockwool Rainscreen DuoSlab insulation types.

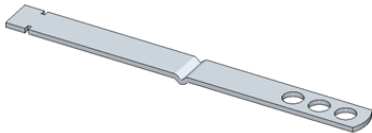
When using other semi-rigid or flexible / mineral wool insulation types, a Wincro Compression Sleeve should be used.

The WC27 Channel System comprises of 3 (or 4) components:

- Wincro WC27 25/14 channel with pre-punched holes @ 112.5mm centres, supplied in 2.7m lengths
- Wincro WTS2C27 – channel wall ties available in standard sizes from 75mm projection (specials available upon request)
- Wincro WBSDD - Self-drilling self-tapping screws
- Wincro WBCOMP – Wincro mineral wool compression sleeves

WINCRO WTS2C27 Wall Ties

Available from 75mm to suit the vented cavity. *Always ensure a 50mm minimum embedment in masonry outer leaf.*



WINCRO WBSDD Self-Drilling Self-Tapping Screws

Available in zinc plated complete with bonded isolation washer - See table.

Also available in stainless steel (*specify WBSDD#SS*). Other sizes are available on request.

Mineral wool compression sleeves

When fixing with flexible insulations, a Wincro Mineral wool compression sleeves should be used (see overleaf). This high capacity, standoff sleeve provides a rigid fixing detail with class 2 fire resistance to BS476 Part 6. Order to suit insulation thickness.

Vented Cavity (mm)	Tie Length (mm)	Wincro Product Code
15-40	75	WTS2C3775
40-65	100	WTS2C27100
65-90	125	WTS2C27125
90-115	150	WTS2C27150
115-140	175	WTS2C27175
140-165	200	WTS2C27200
165-190	225	WTS2C27225
190-215	250	WTS2C27250

Note. 75mm tie doesn't feature a drip.

Insulation + Backing Board thickness (mm)	Screw Length (mm)	Wincro Product Code
25-45	65	WBSDD65ZP
45-60	82	WBSDD82ZP
55-75	98	WBSDD98ZP
65-95	120	WBSDD120ZP
75-110	130	WBSDD130ZP
90-130	150	WBSDD150ZP
110-160	180	WBSDD180ZP
120-180	200	WBSDD200ZP

Fixing screws feature a drill tip to suit 1.2 to 3mm thick steel to allow installation without pre-drilling. For thicker steel, please consult Wincro. Driver Sockets are also available.

**Corrosion
resistant
Stainless Steel**

*

**Suits semi-rigid or
flexible
insulations with
Standoff Sleeves**

*

**Supplied in
standard 2.7m
lengths**

*

**Channel pre-
punched at
112.5mm centres**

*

**Full Stainless Steel
Channel Tie range
available**

**WINCRO METAL
INDUSTRIES LTD**

Sheffield > S9 1NJ > UK

+44 (0) 114 242 2171

sales@wincro.com

www.wincro.com



25/14 Restraint System Fixing to Concrete

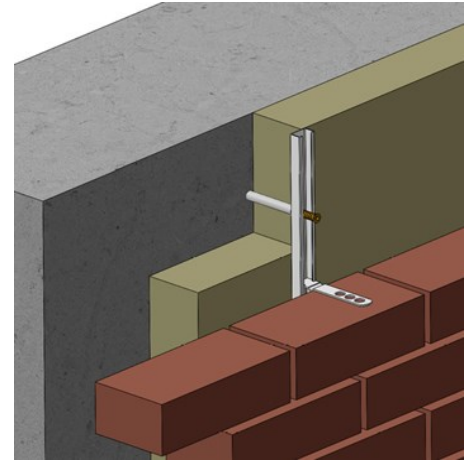
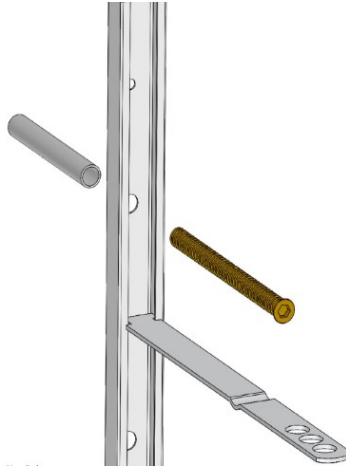
This system is designed to tie back external masonry back to a concrete frame.

WBCFS Concrete Screws fix through the channel into WBCOM stainless steel compression sleeves situated within the insulation and into a pre-drilled pilot hole in the concrete. Wincro WTS2C27 safe ended brick ties slot into the channel and build into the outer leaf of brickwork as the masonry progresses.

WBCFS Concrete Fixing Screws

Specify **WBCFS** + length to suit insulation thickness. See table below.

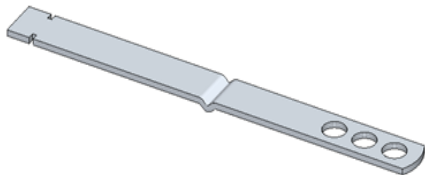
Insulation thickness (mm)	Screw Length (mm)	Wincro Product Code
35-40	100	WBCFS100
45-55	110	WBCFS110
55-65	120	WBCFS120
65-75	130	WBCFS130
75-95	150	WBCFS150
95-125	180	WBCFS180
125-140	200	WBCFS200
145-177	212	WBCFS212



Stainless steel compression sleeves ensure that the compressive strength and stability of the channel tie system is maintained by preventing the channel deflecting into and compressing the flexible insulation during installation and whilst under normal load. They are produced to suit the thickness of the insulation specified. *Specify product code **WBCOM** and the insulation thickness. For example: WBCOM100 to suit 100 thick insulation.*

WINCRO WTS2C27 Wall Ties

Available from 75mm to suit the vented cavity. *Always ensure a 50mm minimum embedment in masonry outer leaf.*



Vented Cavity (mm)	Tie Length (mm)	Wincro Product Code
15-40	75	WTS2C3775
40-65	100	WTS2C27100
65-90	125	WTS2C27125
90-115	150	WTS2C27150
115-140	175	WTS2C27175
140-165	200	WTS2C27200
165-190	225	WTS2C27225
190-215	250	WTS2C27250

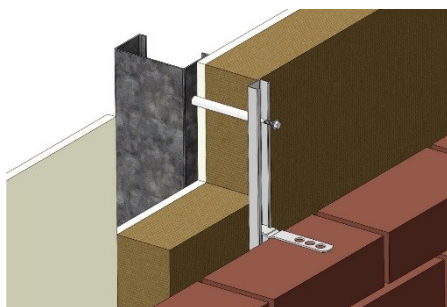
Performance

Table below provides recommended wall tie and fixing centres from PD 6697 based on standard stud centres of 600mm

Tie Type PD 6697	Wall Tie V.Ctrs	Fixing V.Ctrs
Type 1	300	225
Type 2	450	337.5
Type 3	450	450

Mineral wool compression sleeves

When fixing with flexible insulation, a Wincro mineral wool compression sleeve should be used. This high capacity, composite standoff sleeve provides a rigid, high capacity fixing detail with class 2 fire resistance to BS476 Part 6. They ensure that the flexible insulation is not compressed during installation and whilst under normal load.



The sleeves are produced to suit the thickness of the insulation specified.

*Specify product code **WBCOMP** and the insulation thickness at time of order.*

Eg. WBCOMP150 to suit 150 thick insulation.



WINCRO METAL INDUSTRIES LTD

Sheffield > S9 1NJ > UK

+44 (0) 114 242 2171

sales@wincro.com

www.wincro.com

