

VIVREAU ViTap 303

TAP SYSTEM



**INSTALLATION
REQUIREMENTS**

I. Installation requirements

- The water dispenser may not be installed near direct or indirect heat sources (such as ovens, radiators, heaters, dishwashers, washing machines and so forth). Likewise, hoses and cables must not come into contact with heat sources.
- The water dispenser must be placed on a level surface that can bear the weight and is resistant to liquids and heat.
- The water dispenser may not be installed at locations where there is a possibility of sprayed water or jets of water.
- No objects may be placed on the water dispenser.
- There must be no explosive, corrosive or abrasive environment condition. Keep the water dispenser away from flammable objects.
- The water dispenser must not be subject to agitations and vibrations.
- The water dispenser is not suited for outdoor use.
- The water dispenser has to be installed in locations which have free access and can be monitored by trained personnel.
- The ambient temperature around the dispenser should not exceed 32° C.

1 Water connection:

A corresponding and functioning drinking water connection must be in the vicinity (to be provided by operator):

- 3/4" male angle valve or 3/4" male isolation valve terminated in a vertical position, preferably in stainless steel with shut-off valve in the cabinet underneath. The material of this valve may also be chrome plastic or brass in accordance with local legal requirements.
- No more than 1 meter left or right of the drinking water system.
- Water supply flow pressure: min 2.5 bar.
- The water dispenser may only be connected to drinking water lines that supply the drinking water in a quality in accordance with the drinking water regulations at the location of use.

2 Electrical connection:

UK: 1 twin switch socket 230 V / 13 A
Europe & Australia: 2 switch socket 230 V / 16 A
in base cupboard unit at high level, no more than 1 meter either left or right of the system.

3 Waste water connection:

Waste connection, trapped up stand to facilitate a 1/2" flexible pipe (to be provided by operator).

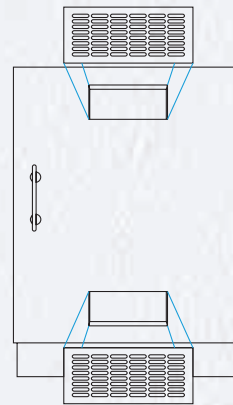
II. Ventilation options:

The ventilation areas in the cabinet have to be prepared by the operator prior to the installation. Ventilation grilles are available on request as accessories. Please contact your customer service for more details.

The cabinet may be ventilated in several different ways to prevent excessive heat build-up. The methods shown all take advantage of natural circulation by placing two grilles or cut-outs; one near the base and the other at the top of the enclosure.

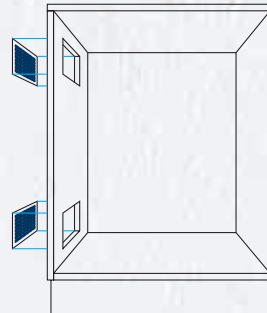
Base/ kitchen cabinet back panel should be removed for better ventilation.

Front view



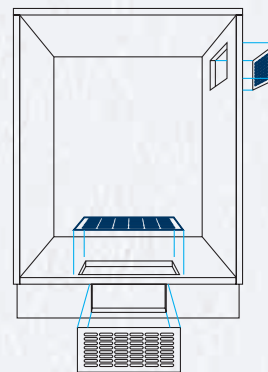
Front Ventilation

Cut ventilation grilles into a standard door panel.



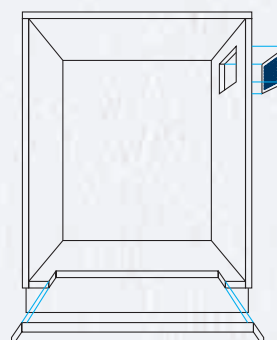
Side Ventilation

Cut ventilation grilles into the side of a standard 600 mm cabinet. The grilles may be fitted on either side allowing the ventilation into a free and unobstructed area.



Base Ventilation

Cut ventilation grilles into the cabinet's base panel and base plinth. Top ventilation will also be required in either the side panels or a cut out in the top of the door.



Base Cut-Out

Ensure ventilation by removing a narrow section of the floor, immediately behind the door and trim with roll edging strip. Typical cut-out size must be not less than 280 mm wide x 35 mm deep.

III. Preparations

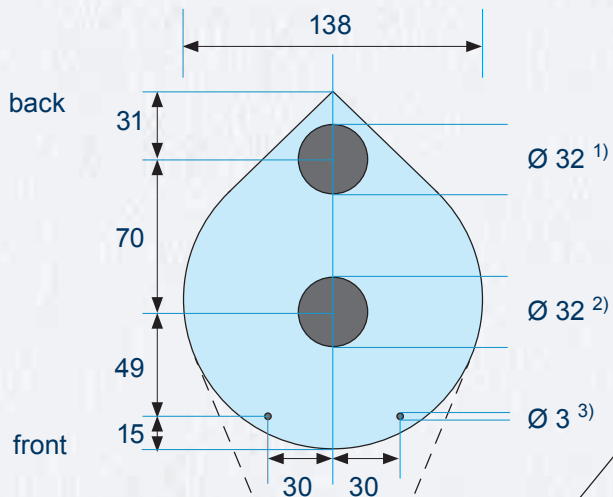
Preparation of the furniture for installation.
All dimensions in mm.

Ventilation requirements:

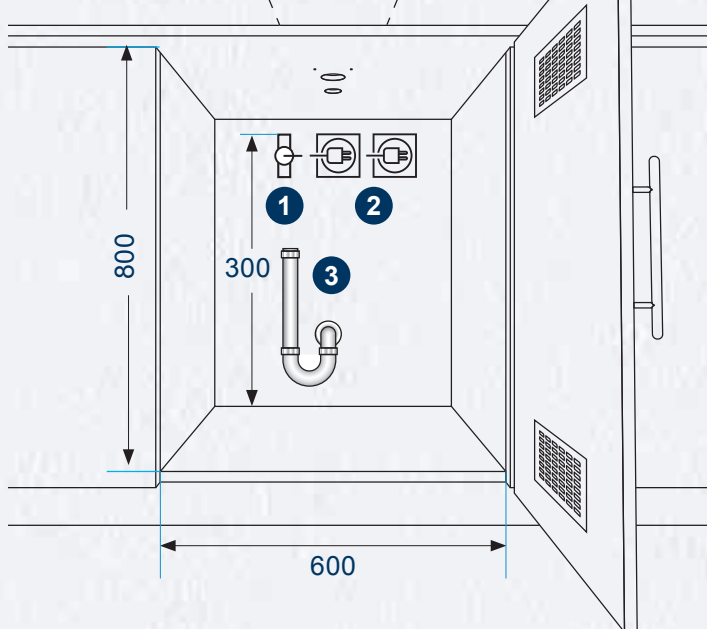
The water dispenser must be installed in such a manner that there is sufficient ventilation. Never cover or block ventilation slits and cooling fins.

Top view

● Hole dimensions to drill:



Front view



1) for dispensing tap

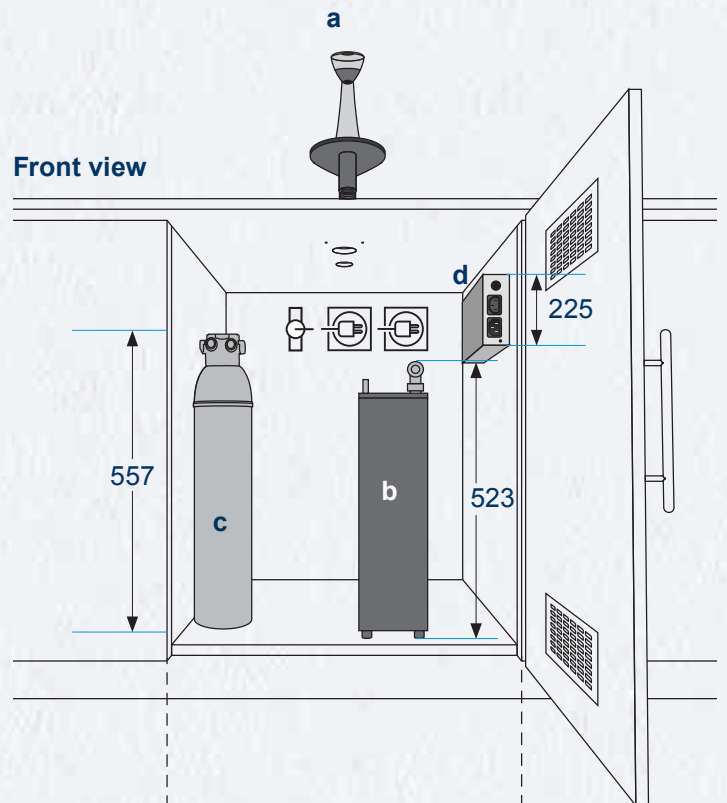
2) for drip tray waste connection

3) for screws

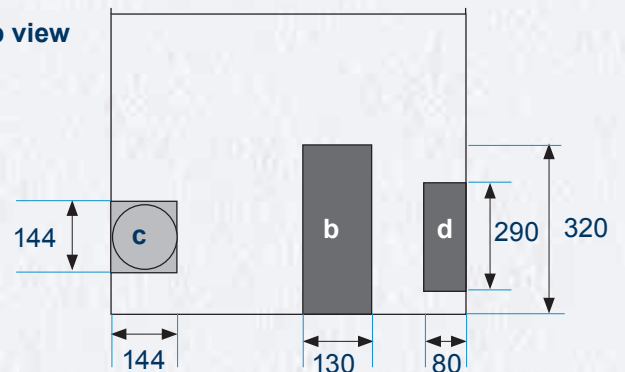
IV. Arrangement

All dimensions in mm.

- a. Dispensing tap „Hot“
- b. Boiler
- c. Hot water filter: PURITY C500 Dispenser
- d. Electronic Control Module



Top view



V. Dimensions

All dimensions in mm (+/-2%).

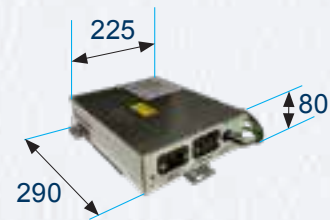
Dispensing tap



V-Boiler



Electronic Control Module



VI. Technical data

| VIVREAU ViTap 303 Tap System | |
|---------------------------------------|---|
| Min. required space (W x H x D mm) | 300 x 800 x 600 |
| Dimensions (W x H x D mm) | 130 x 523 x 320 (Boiler) 138 x 325 x 165 (Tap) 80 x 225 x 290 (Electronic control module) |
| Dispensing height (mm) | 240 |
| Weight (kg) | 7.5 (Boiler) 1.6 (Tap) 2.6 (Electronic control module) |
| Hot water max. dispensing capacity | 3-4 cups per minute at up to 95° C |
| Boiler tank capacity (liters) | 4.5 |
| Max. power consumption (W) | 2800 |
| Drip tray | Integrated |
| Water types | Hot |
| Waste water connection | Required |
| Voltage (V) | 220-240 |
| Frequency (Hz) | 50 |
| Max. current (A) | 11.25 |
| Max. inlet water pressure (MPa / bar) | 0.035-0.35 / 0.35-3.5 |
| Max. inlet water temperature (°C) | 25 |
| Max. humidity (%) | 60 |

BRITA GmbH
Heinrich-Hertz-Str. 4
65232 Taunusstein
Germany

www.brita.net

BRITA Vivreau Ltd
1st Floor
Beaufort House
Cricket Field Road
Uxbridge UB8 1QG
United Kingdom

www.vivreau.com