

Seamsil® 100

Cut edge corrosion 15 year guarantee

Preparation

All Edges

Loose and flaking coatings should be removed to make a good and sound feathered edge.

Remove all rust and white (zinc) salts, thoroughly cleaning/ abrading to Swedish Standard ST3. Ensure the surface is fully keyed and not polished.

Where there are slight perforations (up to 15mm in diameter) in the areas to be treated, Seamsil® Sealant can be used to bridge the gap. This should be gunned into the hole and tooled off to a smooth edge. Any perforations larger than this can either be cut away provided this doesn't affect the structural integrity of the roof or can be covered by riveting a metal plate into place and the edges sealed using Seamsil Sealant.

Note: Do not at any time clean the surface with soap detergent. This action would leave a residual film and may adversely affect the adhesion of Seamsil®.

Additional Preparation for Overlaps

On the lower sheet any staining that has not adhered, should be removed.

Dry the lap using a mechanically driven blower ensuring the area between the sheets is thoroughly dry.

If the gap between the sheet is greater than 5mm a stitcher screw or rivet should be used to bring the sheets together.

All debris, including any grinding swarf, must be removed prior to application.

Additional Preparation for the Underside of the Sheet Edges

The above preparation method should be adopted for the underside of the sheet wherever this is possible.

Pre-Treatments

Thoroughly clean the surface using Isopropyl Alcohol.

Seamsil® Sealant

At Overlaps

The Seamsil® Sealant is gun-applied into the gap between the upper and lower roof sheets, as close to the edge of the upper sheet as possible, forming a complete bridged seal. Whilst the Seamsil® Sealant is still wet, apply the Seamsil® Base Coat as below to form a fillet and visually obscure the leading edge of the top sheet.

The Seamsil® system may also need to be used on the vertical lap joints if the roof suffers from water ingress due to incorrect lap formation.

Seamsil® Base Coat

All Edges

The area to be treated should be at least 25mm from the edge of the roof sheet or either side of the overlap and a further 10mm beyond the prepared area of corrosion, ensuring complete coverage of all exposed steel work.

For the best finish, the coating should be applied in a straight line. To aid this, a pencil line or a straight edge can be used.

At Overlaps

Apply Seamsil® Base Coat by brush at a minimum wet film thickness of 220 microns. Work in a smooth upward motion ensuring complete coverage of all exposed and prepared metal areas. Allow to cure.

Note: This is an outline specification for the general application of this system. For a bespoke specification to deal with site complexities, please contact us.

Seamsil® 100

Cut edge corrosion 15 year guarantee

At All Other Edges

Apply Seamsil® Base Coat by brush at a minimum wet film thickness of 220 microns to both the top and the underside of the sheet. Ensure the coating extends at least 25mm onto the underside of the roof sheet and at least 10mm past any corrosion. Work in a smooth upward motion ensuring complete coverage of all exposed and prepared metal. Allow to cure.

Seamsil® Top Coat

All Areas

The Seamsil® Top coat should be of a contrasting shade to the Seamsil® Base Coat and should extend onto the sheet by a further 10mm.

For the best finish, the coating should be applied in a straight line. To aid this, a pencil line or a straight edge can be used.

At Overlaps

Apply Seamsil® Top Coat by brush at a minimum wet film thickness of 220 microns. Work in a smooth upward motion ensuring complete coverage of all exposed and prepared metal areas. Allow to cure.

At All Other Edges

Apply Seamsil® Top Coat by brush at a minimum wet film thickness of 220 microns to both the top and the underside of the sheet. Work in a smooth upward motion ensuring complete coverage of all exposed and prepared metal. Allow to cure.

The Completed System Dry Film Thickness:

All areas: minimum 350 microns

Application Notes

Note: White Spirit is strictly not to be introduced into the application system. This will adversely affect adhesion and invalidate the material guarantee.

Seamsil® may be thinned at a 2:1 ratio (2 Seamsil to 1 thinners) to ease application. Use only Seamsil® thinners T514.

Care must be taken not to disturb the uncured seal. All swarf arising out of the metal preparation must be immediately brushed off the surface to avoid contamination of coated areas and existing surface coatings. Failure to remove the swarf could result in subsequent rust staining by the debris arising out of the metal preparation operation.

At all times ensure that the surface to be treated is dry, clean and that the air temperature is above dew point and on a rising thermometer.

Always allow for expanded sheet profile, when estimating material quantities.

The installing contractor must be fully trained in the use of Sharmans coatings.

It is the contractors' responsibility to inspect each section of the application to ensure the correct measures and steps outlined in this specification document are applied.

Coverage rates are for guidance purposes only

Disclaimer: The information, and, in particular, the recommendations relating to the application and end-use of products, are given in good faith based on current knowledge and experience of the products when properly stored, handled and applied under normal conditions. In practice, the differences in materials, substrates and actual site conditions are such that no warranty in respect of merchantability or of fitness for a particular purpose, nor any liability arising out of any legal relationship whatsoever, can be inferred either from this information, unless from any written recommendations, or from any other advice offered by HD Sharman. The proprietary rights of third parties must be observed. All orders are accepted subject to our current terms of sale and delivery. Users must always refer to the most recent issue of the Product Data Sheet for the product concerned, copies of which will be supplied on request.

HD Sharman Ltd.
High Peak Works
Chapel-en-le-Frith
High Peak, Derbyshire
SK23 0HW

T. 01298 812371
F. 01298 812237
E. info@hdsharman.co.uk
W. hdsharman.co.uk



sharmans
gutter & roof refurbishment systems

Seamsil

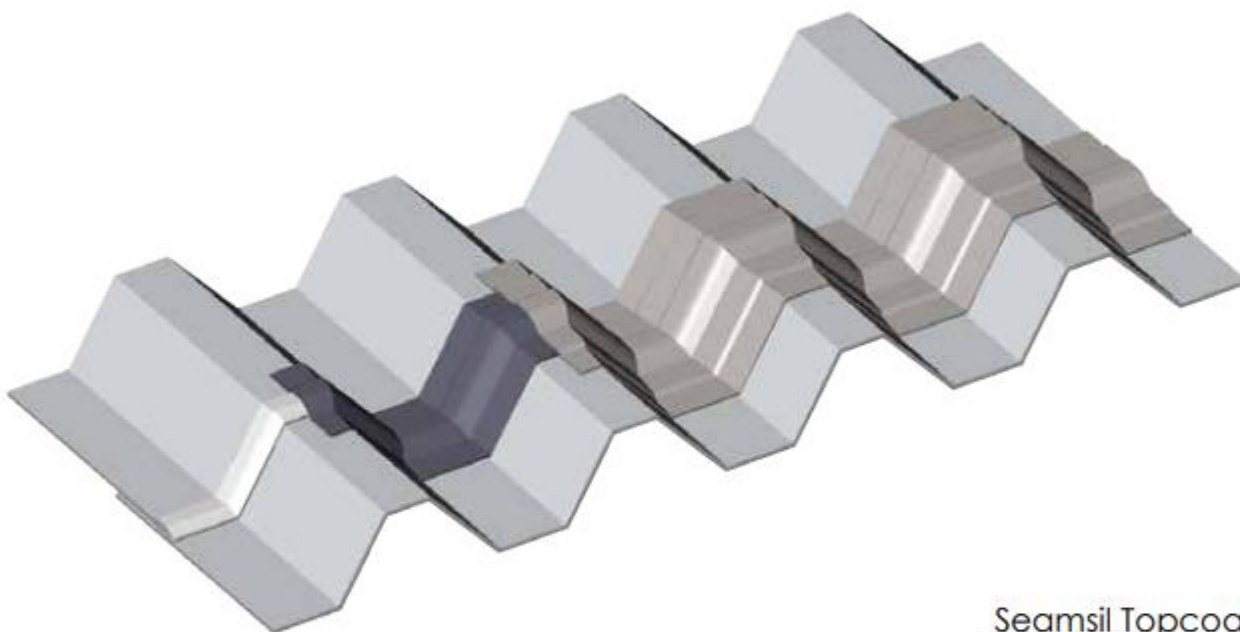
Seamsil Sealant



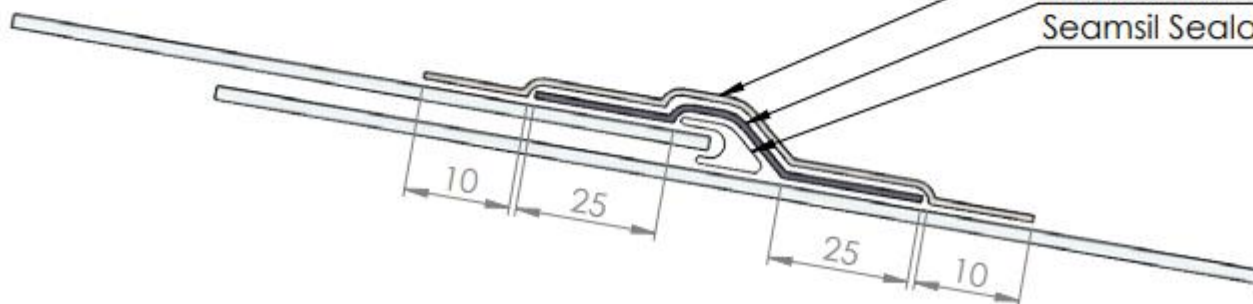
Seamsil Basecoat



Seamsil Topcoat



Seamsil Topcoat
Seamsil Basecoat
Seamsil Sealant



Seamsil Basecoat

Minimum 25mm past the Sealant and at least 10mm past the affected prepared area.

Seamsil Topcoat

Minimum 10mm past the Basecoat.



sharmans

gutter & roof refurbishment systems

Notes:

Date Drawn: 06/04/2018

Page 1 of 1