

# thermo Sphere

## HEATING | WALL | TOWEL BAR

Simple installation of  
multiple towel bars



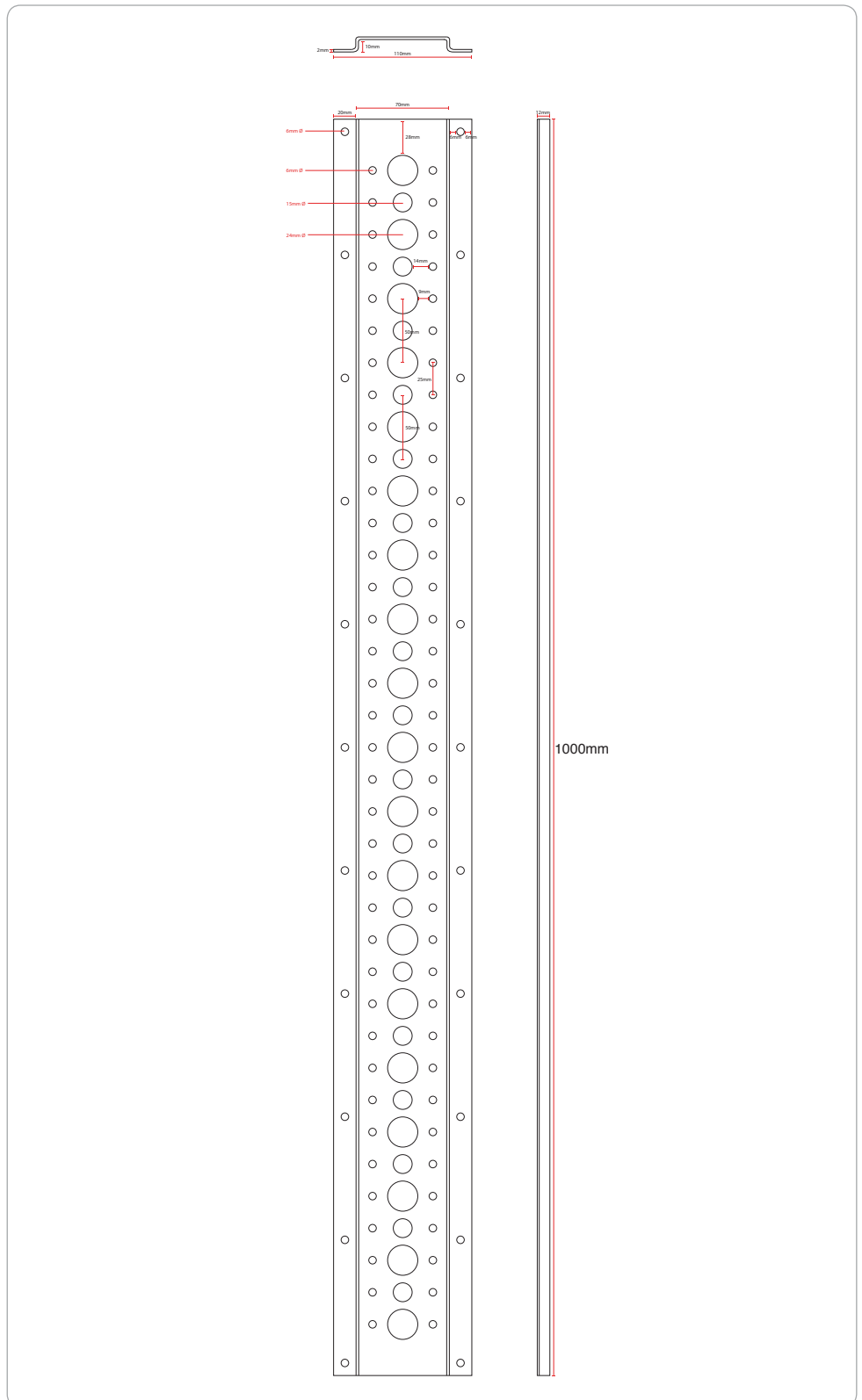
### TBMS-1000 Mounting Kit Includes

1 x Mounting system

8 x Fixing Screws

8 x Fixing plugs

All electrical connections can be made before tiling leaving the installer to simply connect the plugs and fix the rail to the spigot.



Stock Code

Description

Size (mm)

TBMS-1000

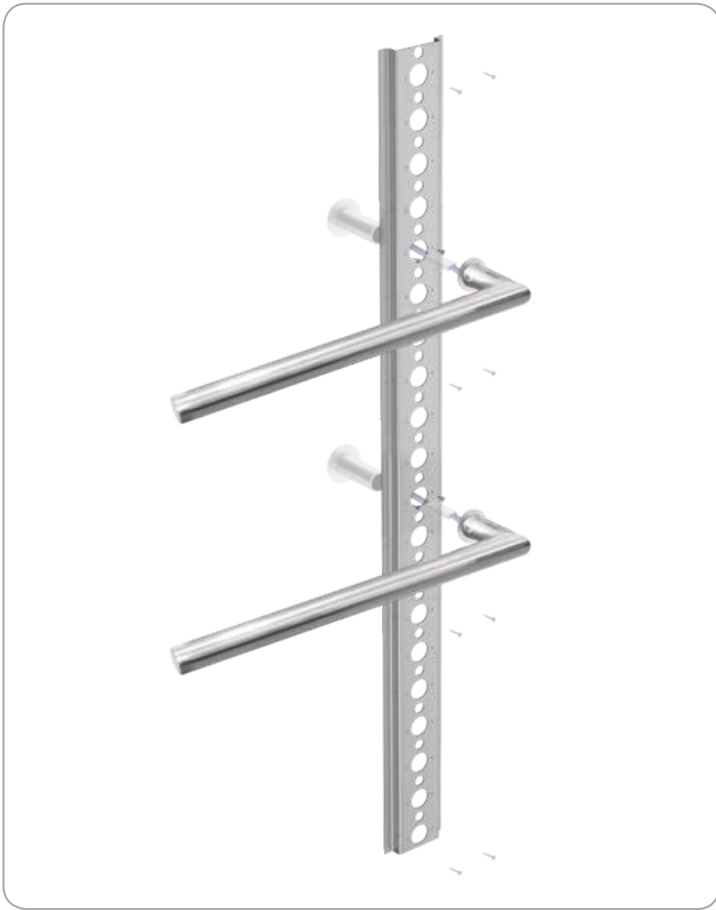
Towel Bar Mounting System

1000 x 120 x 12

TBSD-550

Towel Bar Spigot (Double)

### Single ended bars



### Single ended bars

Everything you need to install a single ended bar is included with the bar.

### Double ended bars – 1 mounting system

You need to purchase one towel bar spigot for each double ended bar when installing with a mounting system.

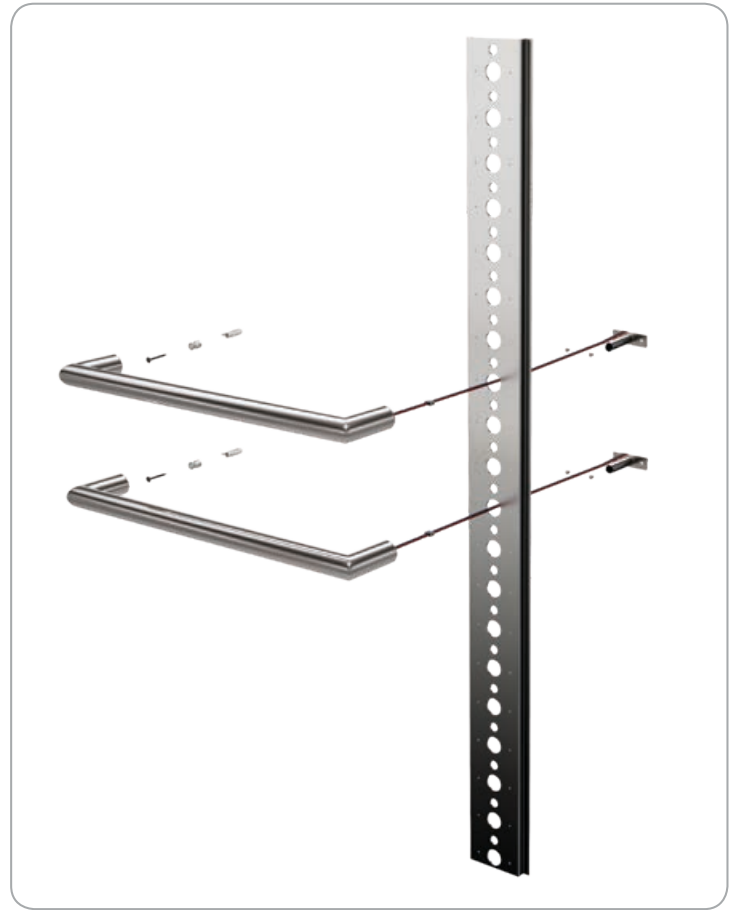
### Double ended bars – 2 mounting system

You will need to purchase 2 mounting spigots per towel bar when installing with a mounting system.

### Tiling tolerances

Standard mounting spigots are 55mm long. You will need at least 25mm of spigot protruding from the final tiled finish in order to fix the towel bars securely. Check your tiling thickness and purchase the Extended (80mm) spigots if required.

### Double ended bars – 1 mounting system



### Double ended bars – 2 mounting system

