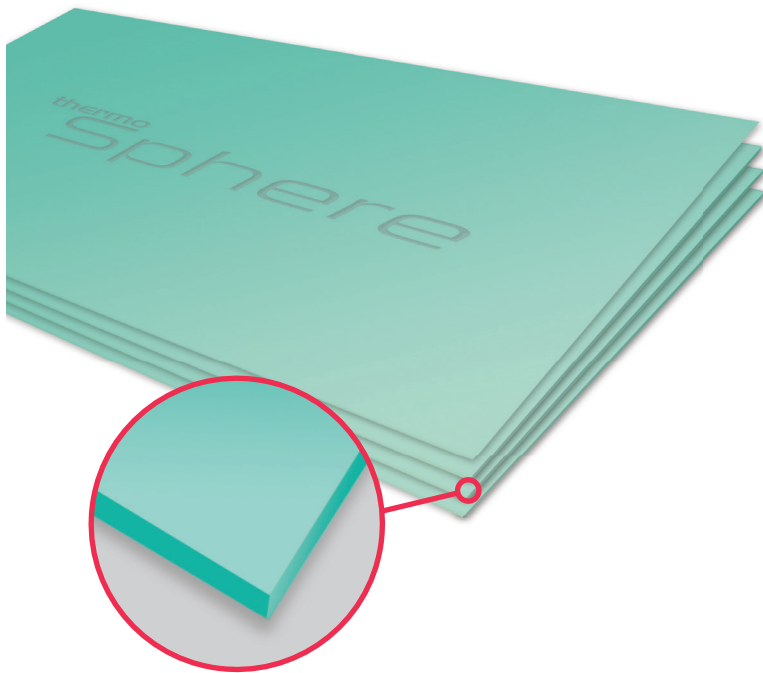


thermo Sphere

ACCESSORIES | FLOOR | CONCRETE INSULATION BOARD

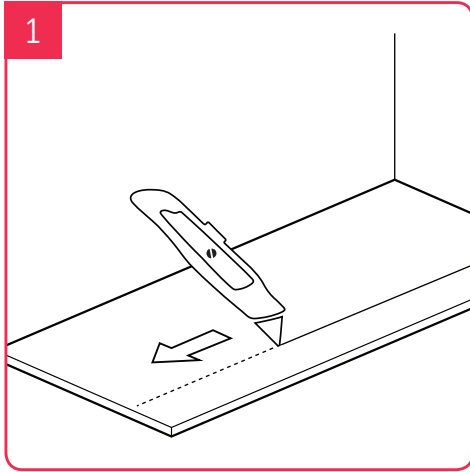


- 100% Moisture and rot proof
- Excellent substrate for tiling
- High thermal insulation properties
- Lightweight and workable
- CFC and HCFC free
- Boosts efficiency of underfloor heating

Concrete insulation board

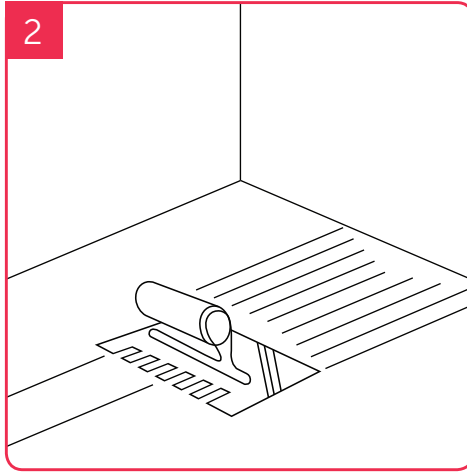
Stock Code	Description	Thickness (MM)	Board Size (M)	Board Area (M ²)	Pack Area (M ²)	Pack Quantity
CIB-006-20	Concrete Insulation Board	6.0	1.2 x 0.6	0.78	15.6	20
CIB-105-10	Concrete Insulation Board	10.5	1.2 x 0.6	0.78	7.8	10

Installation overview



1 Cut to size

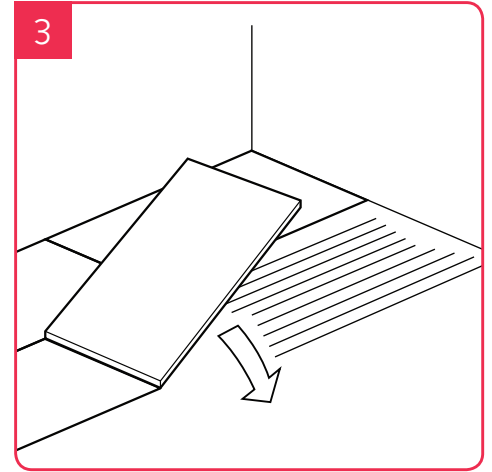
Cut boards to size with a sharp blade and position over the floor area.



2 Mix and spread tile adhesive

Mix tile adhesive according to manufacturer guidelines and spread on substrate with a notched trowel. Always use an S1, fast setting flexible adhesive.

You will need to use primer if your substrate is not suitable for tile adhesive.



3 Secure in place

Fix in position by pressing the boards firmly into the adhesive below. Allow adhesive to fully cure before laying underfloor heating.

Cutting

If required, cut the board to size to suit your room layout. Concrete insulation board can be cut very easily using a sharp blade or wood saw. Please take appropriate care when using sharp tools.

Spread adhesive

Ensure your substrate is secure, clean and free of dust and loose particles. Mix flexible adhesive in accordance with instructions and spread using a notched trowel creating a full bed of adhesive.

Spread enough adhesive for one board at a time to prevent adhesive drying between board application.

Layout and fix

Lay the board onto the adhesive taking care to squeeze out any air pockets in the adhesive. For a high quality finish make sure all boards are flush and tape over the seams using reinforcing tape. Your floor is now prepared and ready for underfloor heating.

Waterproofing

If you are installing our products in a wet room, you should now proceed with installation of the ThermoSphere tanking paste to fully waterproof the room and guard against moisture.

Technical Data

Compressive Strength	200 kpa
Thermal Conductivity	0.031 W/Mk
Water Absorption	0.3% v/v
Density (foam)	36Kg/m ³
Temperature Range	-50°C to +75°C
Fire Performance	Class B1
Coefficient of Linear Expansion	0.07mm/mk
Shear Strength Mortar	200kPa
Tensile Strength	150 kPa

Floor build up example

