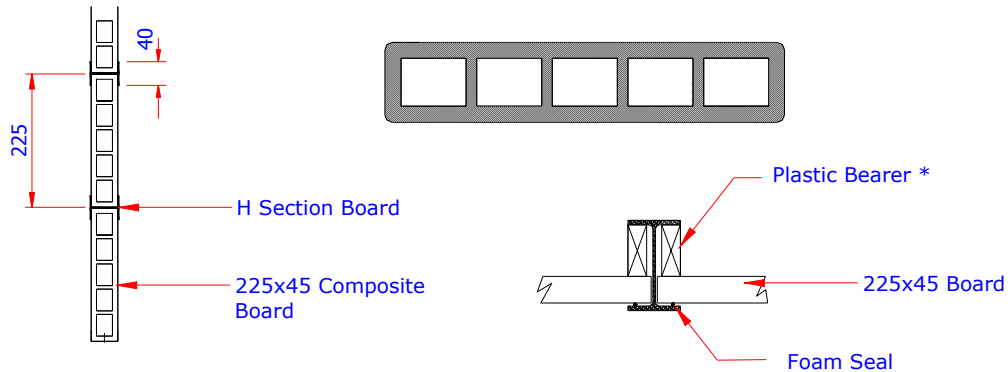
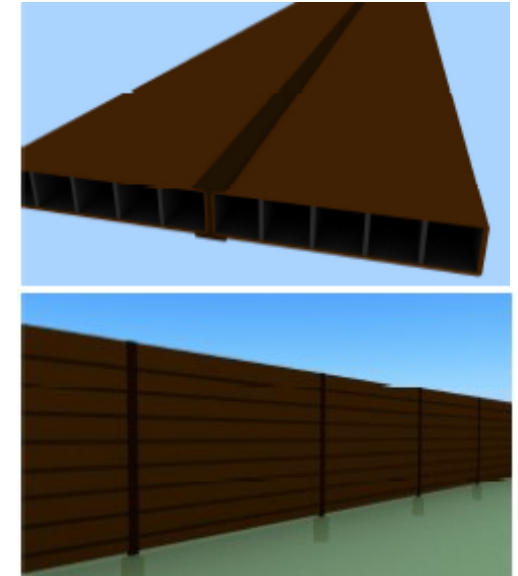


TYPICAL PART ELEVATION



NOTES:

(1) MATERIALS OF CONSTRUCTION RECYCLED POLYPROPYLENE 60% WT CHOPPED STRAND GLASS FIBRE 40% WT UVSTABILISED HDPE OUTERSKIN IN BROWN.

(2) UPVC UVSTABILISED IN BROWN.

(3) POST DIMENSIONS SUBJECT TO FINAL DESIGN

* Dimension to suit final post dimensions

Procter Fencing Systems.
11. Pantglas Ind Est,
Bedwas,
Caerphilly, CF83 8XD
Tel. 02920 855 756 Fax. 02920 888 544
E: enquiries@fencing-systems.co.uk
W: www.fencing-systems.co.uk

Procter Fencing Systems
Codham Hall,
Great Warley, Brentwood
Essex, CM13 3JT
Tel. 02920 855 756 Fax. 02920 888 544
E: enquiries@fencing-systems.co.uk
W: www.fencing-systems.co.uk

Procter Fencing Systems.
Isabella Road,
Garforth,
Leeds, LS25 2DY
Tel. 02920 855 756 Fax. 02920 888 544
E: enquiries@fencing-systems.co.uk
W: www.fencing-systems.co.uk