

# Dryflow Elite

Recommended traffic:

**>500 uses a day**

riba  
product  
selector

n55Plus

# Quiet, slim and very long lasting

Approx. cost per 1000 dries:

 **96p**

Guarantee period:

 **5 Years**

- Available in a white steel or brushed satin solid stainless-steel cover
- Quiet like conventional hand dryers, yet faster drying and much more energy efficient
- Suitable for all age ranges of the educational spectrum as they are one of the quietest, yet good performing hand dryers available. Benefits include tolerable noise levels for young children and limited noise transfer into classrooms and library areas.
- The air outlet has a safety grill to prevent insertion of foreign objects such as fingers.
- Suitable for high traffic senior school and further education buildings with a motor life that exceeds most others.
- Its depth of just 10cm means it can fit into the tightest of washrooms, but also provides benefits to school environments such as being less likely to be bumped into, unlikely to be swung from or be susceptible to things like rubbish being left on top.
- Solid construction - steel back plate with security screws for the cover make it vandal resistant, ensuring suitability in Key stage 2 primary school, senior school and further education buildings.



# Dryflow Elite

Electrical Supply Voltage	230-240 V
Electrical Supply Frequency	50/60 Hz
Expected Motor Life	17000 Hours
Dry Time Range	20 – 25 Seconds
Rated Power	1.7 kW
Approx. Watt-Hours per Dry	8.03 Wh
Heater Element Power	1550 W
Operating Sound Level	71dB at 1M
Motor Speed	8200 RPM
Air Speed	63 MPH
Operating Temperature Range	At ambient temp (20°C) – 54°C
Motor Cut off Time	90 Seconds
Motor Class	Class E
Materials	Steel or stainless steel cover
Weight	5.2 kg
Finishes Available and Codes	White (DF05W) Brushed Satin (DF05SS)
IP rating	IP21 (Protection against fingers or other object not greater that 80mm in length and 12mm in diameter; Protection from dripping water)
Cable Entry Point	Rear or bottom

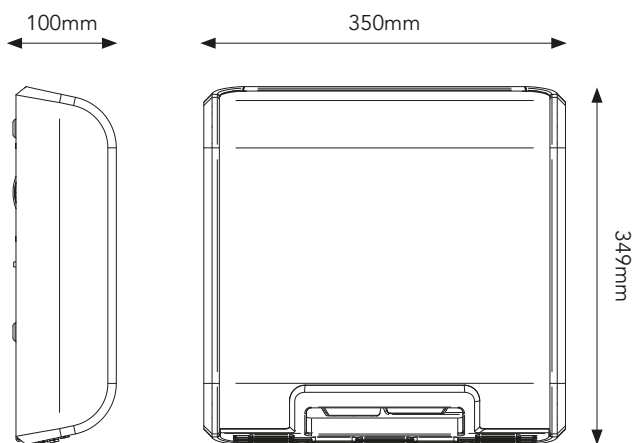
## Online information



## Installation summary

Mounting template provided to position the hand dryer and mark the drill holes correctly

- The cover of the hand dryer is removed by removing the 2 security screws at the bottom of the hand dryer
- Using an 8mm drill bit, drill the 4 holes required
- Connect power supply from fuse spur to hand dryer terminal – choice of bottom cable entry or side access to 2 available rear entry points - and connect all other electrical requirements
- Attach base unit to wall with 4 screws into the predrilled holes
- Replace the cover and secure using the 2 security screws at the bottom of the hand dryer.



SIDE ELEVATION

FRONT ELEVATION



# For more information

---

[intelligenthanddryers.com](http://intelligenthanddryers.com)

+44 (0) 114 354 0047

[sales@ihdryers.co.uk](mailto:sales@ihdryers.co.uk)

---

Intelligent Facility Solutions

Electric House,

51 Wisewood Road,

Sheffield

S6 4TB